

Ledex® C Frame Size C5

Part Number: C5 - **XXX** - B- 1

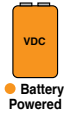
All products are RoHS Compliant

LINEAR Open Frame

Select from performance chart below

Specifications

Operation	Pull
Dielectric Strength	500 VRMS for one second
Continuous Duty Cycle	100% At 20°C ambient temperature
Intermittent Duty Cycle	See below
Coil Insulation	Class "B": 130°C max.
Coil Termination	0.025" square pin terminals
Plunger Pole Face	60° conical
Plunger Weight	0.08 oz. (2.2 g)
Total Weight	0.42 oz. (11.9 g)



Performance

Maximum Duty Cycle	100%	50%	25%	10%
Maximum ON Time (sec)	∞	145	47	14
Watts (@ 20°C)	3	6	12	30
Ampere Turns (@ 20°C)	422	564	844	1268

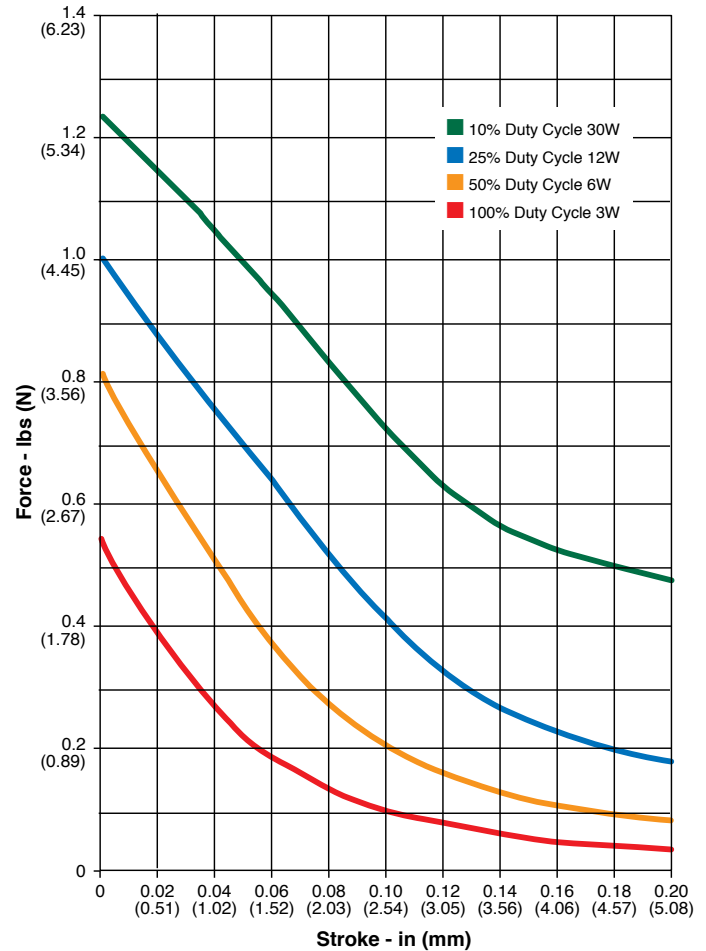
Coil Data

Part Number	Resistance (@20°C)	Ref # Turns	VDC (Nom)	VDC (Nom)	VDC (Nom)	VDC (Nom)
C5-273-B-1	2.88	406	3	4	6	9
C5-272-B-1	11.52	795	6	8	12	19
C5-271-B-1	25.77	1222	9	12	18	28
C5-270-B-1	48.65	1642	12	17	24	38
C5-269-B-1	72.84	1968	15	21	30	47
C5-268-B-1	152.20	2860	21	30	43	68
C5-267-B-1	191.73	3202	24	34	48	76

NOTES:

- All data is typical.
- Force testing is done with the solenoid in the horizontal position.
- All data reflects operation with no heatsink.
- Other coil terminations available.
- Pull versions standard; push versions available.
- Magnetic latching version available.

Force (Gross, Without Spring)



How to Order

Select the part number from the table provided. (For example, to order a 25% duty cycle unit rated at 48 VDC, specify C5-267-B-1.

Please see www.ledex.com for our list of stock products available through our North American distributors.

All specifications subject to change without notice.

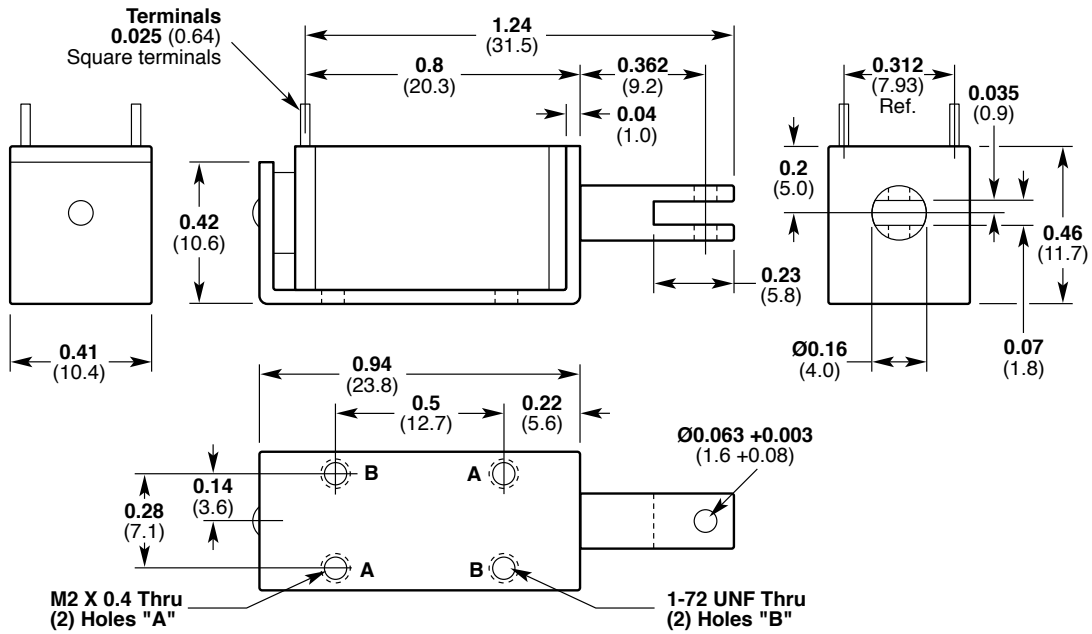
Force values for reference only.

Ledex® C Frame Size C5

Dimensions

Inches (mm)

All solenoids are illustrated in energized state



X-ON Electronics

Largest Supplier of Electrical and Electronic Components

Click to view similar products for [ledex manufacturer](#):

Other Similar products are found below :

[174419-029](#) [174419-026](#) [2536-F-34](#) [129409-028](#) [174534-035](#) [129415-029](#) [195201-234](#) [195191-031](#) [190834-029](#) [195204-233](#) [129415-026](#)
[H-2268-031](#) [123422-028](#) [195200-234](#) [129450-029](#) [174419-023](#) [B14HD-254-B-4](#) [282342-028](#) [2006-F-34](#) [195201-237](#) [B14HD-L-254-B-4](#)
[195224-231](#) [1250-A-1](#) [2537-F-34](#) [195202-237](#) [195207-231](#) [195206-225](#) [129450-026](#) [1000-M-1](#) [2255-F-34](#) [2256-F-34](#) [174432-024](#) [3500-M-](#)
[1](#) [2005-F-34](#) [152097-230](#) [3000-M-1](#) [154660-227](#) [173921-023](#) [123421-036](#) [195224-229](#) [H-2414-029](#) [195205-230](#) [123423-030](#) [195225-229](#)
[195223-233](#) [195203-234](#) [B11HD-253-B-3](#) [195202-231](#) [123421-033](#) [B14HD-253-B-4](#)