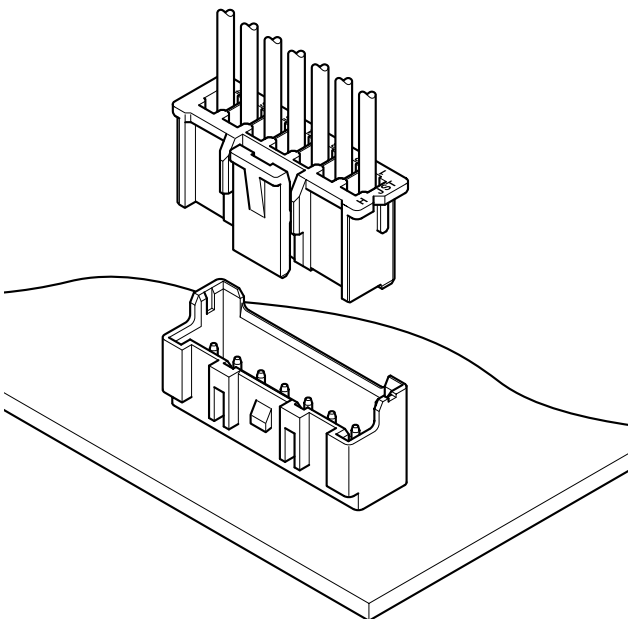
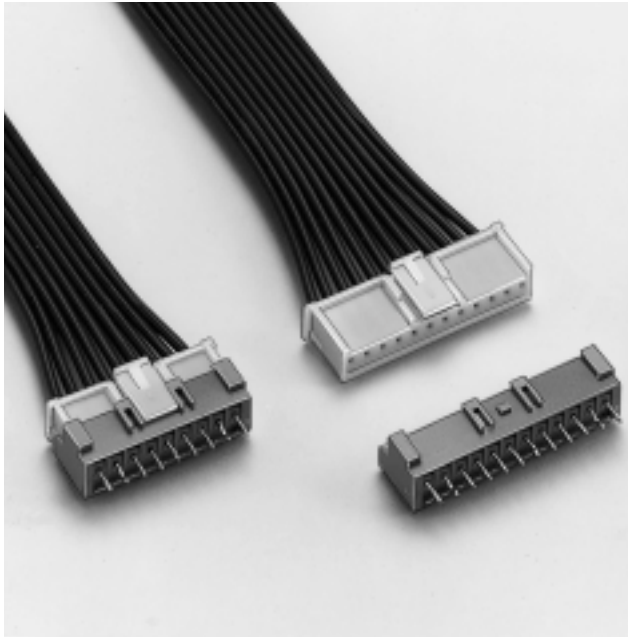


# XA CONNECTOR

Disconnectable Crimp style connectors



## Features

### • Locking device

The housing has a locking device to securely hold the header, preventing accidental disconnection because of external forces that might result from the routing of wires during assembly process or of vibration.

### • Solder crack preventive material

Header wafer is made of glass-filled PA66 nylon thus effective against the solder crack problem.

### • Low insertion force

Header pins are round and reflow-treated, which provides low insertion force.

### • Insertion guide mechanism

Header has housing insertion guides for easy and secure insertion.

### • Applicable to automatic board mounting machine

Radial taped or stick-mounted headers are also available for automatic component insertion machine.

### • Polarizing boss

Headers with polarizing bosses are also available.

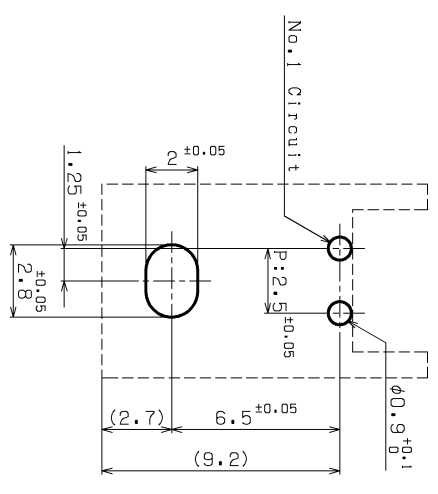
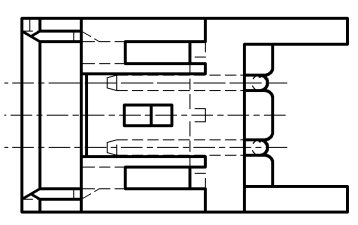
## Specifications

- Current rating: 3A AC DC (AWG#20)
- Voltage rating: 250V AC DC
- Temperature range: -25°C to +85°C  
(including temperature rise in applying electrical current)
- Relative humidity: 0 to 80%
- Contact resistance: Initial value/10m Ω max.  
After environmental testing/20m Ω max.
- Insulation resistance: 1,000M Ω min.
- Withstanding voltage: 1,000V AC/minute
- Applicable wire: AWG #28 to #20
- Applicable PC board thickness: 1.6mm (.063")
- \* Contact JST if Lead-Free product is required.
- \* Refer to "General Instruction and Notice when using Terminals and Connectors" at the end of this catalog.
- \* Contact JST for details.

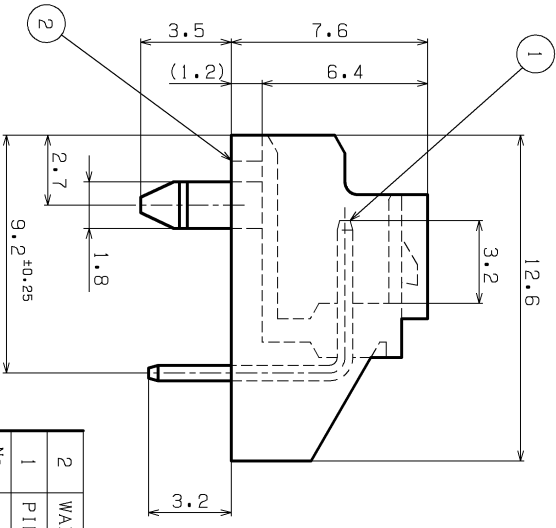
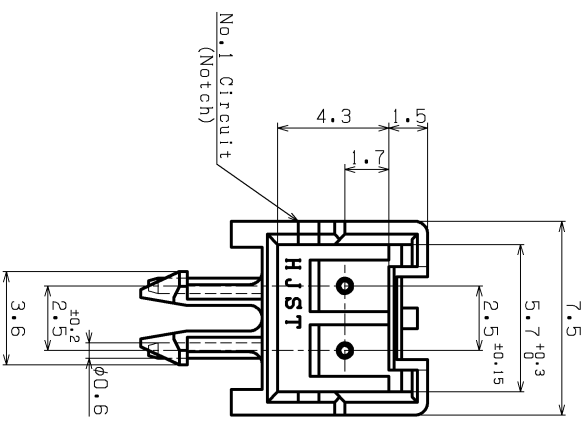
## Standards

- Recognized E60389
- 1 Certified LR20812
- 2 R9851220

1 2 3 4 5 6 7 8



Recommendable P.C. Board hole layout  
(Viewing from component side.)



REV.	DESCRIPTION	DATE	DESIGNED
△			

NOTE  
1. Unless otherwise specified,  
tolerances are  $0 < L \leq 5.0: \pm 0.3$   
 $5.0 < L \quad : \pm 0.4$

2	WAFER	66NYLON (G.F.)	UL94V-0, NATURAL
1	PIN	COPPER ALLOY	COPPER-UNDERPLATED TIN-PLATED
No. 1		PART NAME	SURFACE FINISH
No. 2		SCALE	CUSTOMER
SIZE		PROJECTION	REMARKS
UNIT		DATE	
SCALE		DRAWN	
5:1		DRAWN	
METRIC		DESIGNED	
A3		DATE	
S.K		DEC. 21, 2004	
S.K		T.S	
S.K		A.M	
SERIES NAME		XA CONNECTOR	
PART No.		S02B-XASS-1 (LF) (SN)	
DRAWING No.		KRD-35898	
		RD	

**JST** J.S.T. MFG. CO., LTD.

THIS DRAWING CONTAINS INFORMATION THAT IS PROPRIETARY TO J.S.T.  
AND SHOULD NOT BE USED WITHOUT WRITTEN PERMISSION.

EC4109-2

## X-ON Electronics

Largest Supplier of Electrical and Electronic Components

*Click to view similar products for [FFC & FPC Connectors](#) category:*

*Click to view products by [JST manufacturer](#):*

Other Similar products are found below :

[HFW11R-1STE1H1LF](#) [FH29B-100S-0.2SHW\(99\)](#) [FA5S008HP1](#) [FH29B-120S-0.2SHW\(99\)](#) [FH29B-80S-0.2SHW\(99\)](#) [FHS-16](#) [FPH-2022G](#)  
[52610-1075](#) [52610-1275](#) [52610-1934](#) [XF3M\(1\)-1415-1B-R100](#) [501864-3091-TR225](#) [0525594033](#) [086210010340800](#) [086222026001800](#)  
[52271-2869-CUT-TAPE](#) [62674-201121DLF](#) [62684-36210E9ALF](#) [52610-1675](#) [52746-1671-TR250](#) [10051922-2810EHLF](#) [6-520415-9](#)  
[BD021-09A-A1-0350-0200-0550-LD](#) [SFV6R-1STE9HLF](#) [XF3M-2915-1B-R100](#) [1658549-1](#) [62674-221121ALF](#) [46214008010800](#)  
[046298003000883](#) [151660622](#) [842-816-2630-035](#) [AYF530665TA](#) [AYF351525](#) [046296011930846+](#) [AYF352325A](#) [046254020000800+](#)  
[FH19C-13S-0.5SH\(99\)](#) [FH39J-51S-0.3SHW\(99\)](#) [AYF355125A](#) [AYF530365TA](#) [FH29B-44S-0.2SHW\(99\)](#) [SFW5R-2STAE9LF](#) [AYF351125A](#)  
[AYF350725A](#) [62684-502100AHLF](#) [FH39-61S-0.3SHW\(99\)](#) [AYF414035A](#) [10064555-172520HLF](#) [AYF212335A](#) [504754-2500](#)