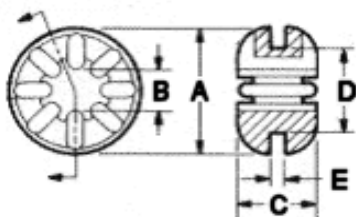


## Vibration and shock absorbing Dampers



Highly damped soft TPO vibration and shock absorbing dampers. High loss coefficient and low resonance magnification. Available in 2 diameters, 3 panel thickness and 2 hardness's. Typical applications include HDD's and PCB's etc.

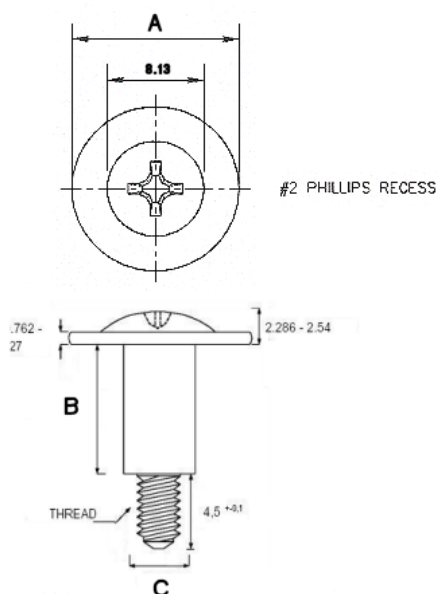
A one-piece UNC6-32 or M3 shoulder bolt is available for each size, and will ensure optimum performance and easy assembly.



Part No	Shore Hardness	Dimensions (mm)				
		A Outer Dia	B Inside Dia	C Thickness	D Mounting hole Dia	E Panel Thickness
GVD-1010-40	40	9.5	4.0	5.8	6.4-7.0	1.0
GVD-1012-40	40	9.5	4.0	5.8	6.4-7.0	1.2
GVD-1016-40	40	9.5	4.0	5.8	6.4-7.0	1.6
GVD-1010-55	55	9.5	4.0	5.8	6.4-7.0	1.2
GVD-1012-55	55	9.5	4.0	5.8	6.4-7.0	1.4
GVD-1016-55	55	9.5	4.0	5.8	6.4-7.0	1.6
GVD-1410-40	40	14.0	4.8	8.1	9.6-10.0	1.0
GVD-1412-40	40	14.0	4.8	8.1	9.6-10.0	1.2
GVD-1416-40	40	14.0	4.8	8.1	9.6-10.0	1.6
GVD-1410-55	55	14.0	4.8	8.1	9.6-10.0	1.2
GVD-1412-55	55	14.0	4.8	8.1	9.6-10.0	1.4
GVD-1416-55	55	14.0	4.8	8.1	9.6-10.0	1.6

### Fixing Bolts.

A one piece-fixing bolt can replace a three-part assembly of screw, washer and tube. Designed to give optimum Compression to the GVD range of dampers. The threads are suitable for screwing directly into a HDD. Available in UNC 6-32 or M3 thread.



Part No.	damper	Dimensions (mm)			
		A	B	C	Thread
SCR10UNC	GVD-10	9	5.61	4.14	UNC6-32
SCR10M3	GVD-10	9	5.61	4.14	M3
SCR14UNC	GVD-14	12.7	7.87	4.93	UNC6-32
SCR14M3	GVD-14	12.7	7.87	4.93	M3

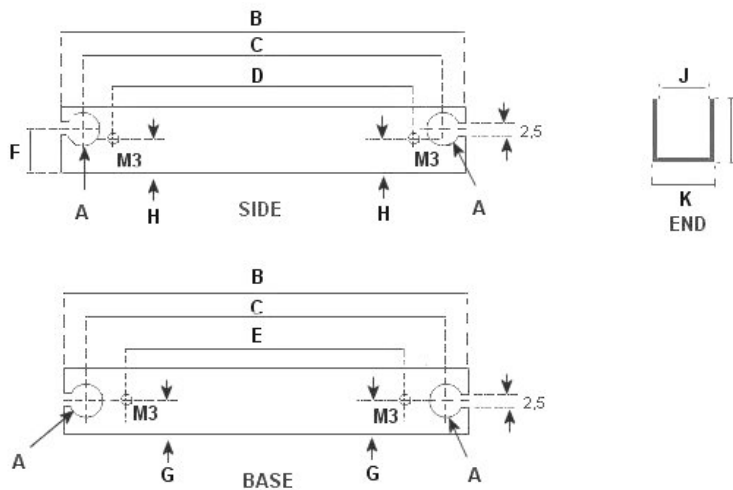
## Damper and Mounting screw kit

**GVSC- kit** comprising of 8pcs of each of the GVD dampers the fixing screws.

## Mounting Kits



HDD mounting brackets for both 3.5in and 2.5in HDD. Can be used for mounting HDD in either horizontal or vertical position. By using 8 dampers it can protect in XYZ directions. The Kit includes dampers and screws.



Part No.	HDD size	Dimensions (mm)										
		A	B	C	D	E	F	G	H	I	J	K
GVD3.5MK	3.5in	9.5	114	101	80	80	14	10	10	20	18	20
GVD2.5MK	2.5in	6.5	100	76	56	56	5.5	6.5	6.5	13	11	13

GelMec UK  
 1-2 Steam Mill Lane  
 Great Yarmouth  
 Norfolk NR31 0JP  
 Tel:0044 (0)1493 668622  
 Fax : 0044 (0)1493 668622  
 Email:sales@gelmc.co.uk

## **X-ON Electronics**

Largest Supplier of Electrical and Electronic Components

*Click to view similar products for [gel mec manufacturer](#):*

Other Similar products are found below :

[GVD-1010-40](#) [GVD-1416-40](#) [GVD-1016-40](#)