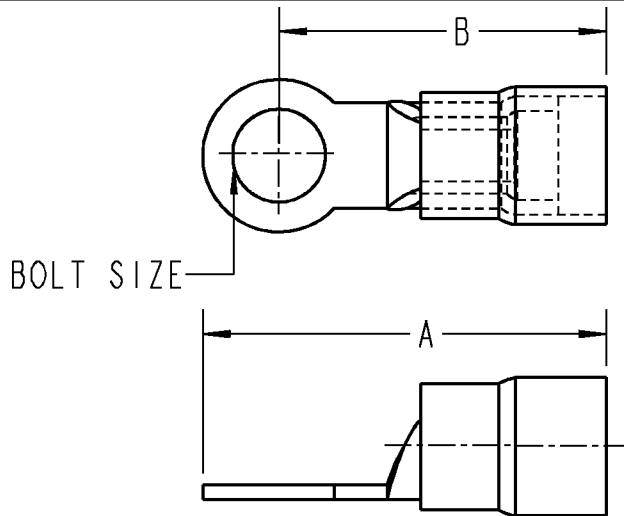


**T&B****Sta-Kon®****NOTES:**

1. MATERIALS:
 TERMINAL: COPPER.
 GRIP SLEEVE: COML BRONZE.
 INSULATOR: NYLON.
2. TERMINAL AS NOTED CONFORMS TO MIL-T-7928.
3. INSTALLING TOOLS: WT-1452.

ALL DIMENSIONS ARE APPROXIMATE, FOR REFERENCE ONLY.

CAT. NO.*	BOLT SIZE	A. MAX	B. MAX/MIN	MS 25036 DASH NO.
RZ103	#10	.763	.622/.586	----
RZ83	#8	.763	.622/.586	----
RZ23	#2	.582	.500/.454	----
RZ43	#4	.662	.540/.502	----
RZ63	#6	.662	.540/.502	----
RZ22-2	#2	.582	.500/.454	-43
RZ33	#3	.662	.540/.502	----
RZ22-4	#4	.662	.540/.502	-44
RZ53	#5	.662	.540/.502	----
RZ22-6	#6	.662	.540/.502	-45
RZ22-8	#8	.763	.622/.586	-46
RZ22-10	#10	.763	.622/.586	-47

* FOR NICKEL PLATED TERMINALS (NOT MILITARY APPROVED)
 ADD NP SUFFIX TO CATALOG NUMBER.

GENERAL NOTES

1. ALL DIMENSIONS ARE FOR REFERENCE ONLY.
2. DIMENSIONS IN BRACKETS [] ARE IN METRIC UNITS.

REVISIONS

** SEE ERN (****) FOR APPROVAL SIGNATURES & RELEASE DATE.
 PROJECT NO: ****

Thomas & Betts
 www.tnb.com

DESCRIPTION: **ASSY, OF INSULATED, INSULATION GRIP RZ TERMINALS**

ORIGINAL PROJECT NO / (ERN NO)

TM401323 / (2006066)

SHEET NO:

1 OF 1

REV. NO:

-

DRAWING NO:

WSD-000204

X-ON Electronics

Largest Supplier of Electrical and Electronic Components

Click to view similar products for [abb](#) manufacturer:

Other Similar products are found below :

[TV10-516R](#) [017667013](#) [RF727](#) [2CMA100178R1000](#) [5SDD 92Z0401](#) [ESV14-BS](#) [EZS-21-250](#) [F204AC-40/0.03](#) [F362-25/0.03](#)

[GJL1211001R0011](#) [GJL1211201R8000](#) [GJL1211501R8000](#) [GJL1213001R0017](#) [GJL1213001R0101](#) [GJL1311001R0101](#) [GJL1311001R8010](#)

[GJL1311201R0001](#) [GJL1313001R0011](#) [GJL1313001R0101](#) [GJL1317201R0001](#) [A40-30-10-84](#) [AF09-30-01-11](#) [AF460-30-11-68](#) [1455](#) [B14-](#)

[250](#) [EF45-30](#) [ERG297](#) [HSC2-20](#) [1SAM201904R1001](#) [1SAM350000R1003](#) [1SAZ721201R1009](#) [1SAZ721201R1014](#) [1SAZ721201R1025](#)

[1SDA057197R1](#) [1SFA611101R1002](#) [1SFA611130R1103](#) [1SFA611131R1101](#) [1SFA611143R1101](#) [1SFA611202R1108](#) [1SFA611203R1108](#)

[1SFA611215R1001](#) [1SFA611216R1108](#) [1SFA611285R1002](#) [1SFA611702R6006](#) [1SFA616162R1025](#) [1SFA619100R3015](#)

[1SVR730020R0200](#) [IPC4111](#) [OS30FACC12](#) [OS60GJ03](#)