

General Specifications

Motor Protection:

Auto Restart/Polarity Protection

Insulation Resistance:

10M Ω or over with a DC500V Megger

Dielectric Withstand Voltage: AC 700V 1s

Allowable Ambient Temperature Range:

N Class: -10°C ~ +50°C (Operating)
 L, M Class: -10°C ~ +60°C (Operating)
 All Class: -40°C ~ +60°C (Storage)
 (non-condensing environment)

Expected Life

25°C 70,000 Hours (B00)

Material

Casing : Plastic (Black) UL94V-0

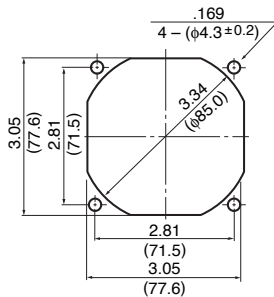
Impeller : Plastic (Black) UL94V-0

Bearing : Ball Bearing

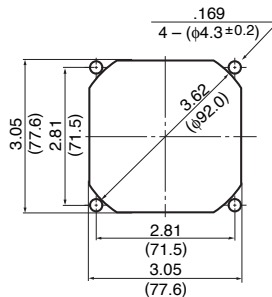
Lead Wire : UL1007, AWG26, +Red, -Black

Panel Cut-Outs

Units: $\frac{\text{inch}}{\text{mm}}$

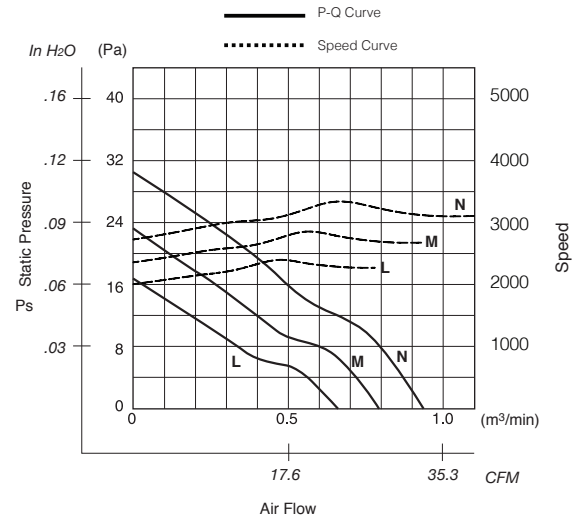


INLET SIDE

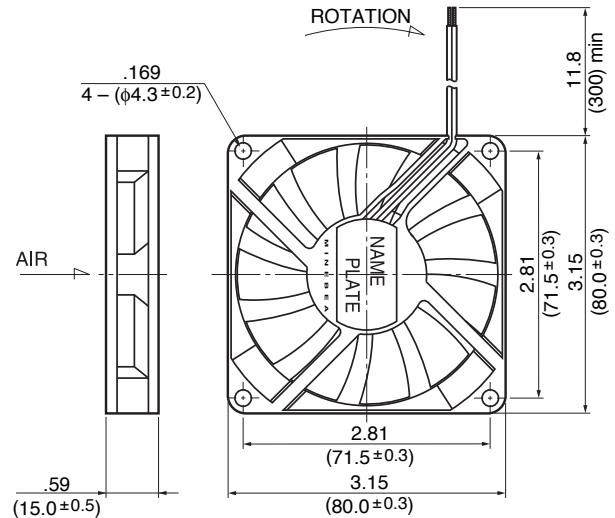


OUTLET SIDE

Characteristic Curves



Outline



Specifications

MODEL	LEGACY P/N	Rated Voltage	Operating Voltage	Current	Input Power	Speed	Max. Air Flow		Max. Static Pressure		Noise	Mass
		(V)	(V)	(A) ^{*1}	(W) ^{*1}	(min ⁻¹) ^{*1}	CFM ^{*1}	(m ³ /min) ^{*1}	in H ₂ O	(Pa) ^{*1}	(dB) ^{*1}	(g)
08015KA-12L-AA-00	3106KL-04W-B30-B00	12	6.0 ~ 13.8	0.11	1.32	2200	23.3	0.66	.06	16.0	26.0	50
08015KA-12M-AA-00	3106KL-04W-B40-B00	12	6.0 ~ 13.8	0.17	2.04	2600	28.2	0.80	.09	22.5	30.0	50
08015KA-12N-AA-00	3106KL-04W-B50-B00	12	6.0 ~ 13.0	0.23	2.76	3000	32.8	0.93	.12	30.0	34.0	50
08015KA-24L-AA-00	3106KL-05W-B30-B00	24	10.0 ~ 27.6	0.07	1.68	2200	23.3	0.66	.06	16.0	26.0	50
08015KA-24M-AA-00	3106KL-05W-B40-B00	24	10.0 ~ 27.6	0.09	2.16	2600	28.2	0.80	.09	22.5	30.0	50
08015KA-24N-AA-00	3106KL-05W-B50-B00	24	10.0 ~ 27.6	0.12	2.88	3000	32.8	0.93	.12	30.0	34.0	50

Rotation: Clockwise

Airflow Outlet: Air Out Over Struts

*1: Average Values in Free Air

Note: PWM/Locked Rotor/Tach Available

X-ON Electronics

Largest Supplier of Electrical and Electronic Components

Click to view similar products for [nmb technologies](#) manufacturer:

Other Similar products are found below :

[F250A5-072-D0520](#) [FBA12G12U1A](#) [3610KL-04W-B10-E00](#) [3610SB-05W-B50-B00](#) [3610PS-12W-B30-A00](#) [1004KL-01W-B50-B00](#)
[17250VA-48R-GA-00](#) [3115FS-23T-B20-A00](#) [3110KL-05W-B60-D00](#) [09232JE-12M-BA-F0](#) [3110RL-04W-B70-C00](#) [3115FS-12T-B20-A00](#)
[12537JE-12P-BA-F0](#) [4715MS-12W-B1A-A00](#) [12032GA-12N-AA-00](#) [4715KL-05W-B19-E50](#) [12038VA-24P-EA-00](#) [3615KL-05W-B59-P50](#)
[08038PB-A1L-EA-00](#) [08038PB-B3L-EA-00](#) [3115FS-12W-B20-A00](#) [3110RL-05W-B70-C00](#) [BM5115-04W-B50-L00](#) [3610VL-05W-B50-B00](#)
[4710KL-05W-B49-E00](#) [17PM-K455-00VS](#) [4710KL-05W-B10-E00](#) [3610SB-05W-B30-B00](#) [R150A3-051-D0790](#) [R172A0-051-D0790](#)
[4715FS-12T-B00-D00](#) [08025SA-12M-EA-00](#) [14539GA-12N-AA-00](#) [1608KL-01W-B10-L00](#) [08025DA-12P-AA-00](#) [11925PB-B3L-EA-00](#)
[3106KL-04W-B40-C00](#) [4715TS-23T-B5A-A00](#) [4712KL-07W-B40-P00](#) [15038PB-A1L-EP-00](#) [3115PS-23W-B30-A00](#) [1606KL-04W-B50-](#)
[L00](#) [3612KL-05W-B50-B00](#) [3610KL-04W-B50-D00](#) [5920PL-04W-B40-D00](#) [4712KL-04W-B50-P00](#) [2410ML-04W-B69-E50](#) [3610KL-05W-](#)
[B40-B00](#) [4715FS-23T-B20-D00](#) [4715TS-20W-B50-BM0](#)