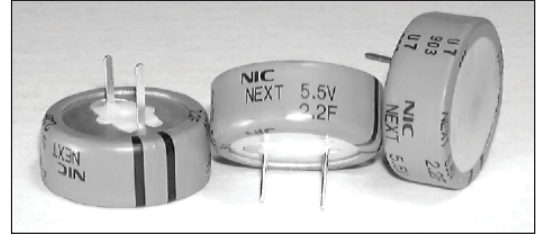


FEATURES

- SMALLER THAN NEXA SERIES
- DOUBLE LAYER CONSTRUCTION
- SHORT TERM POWER SOURCE (UP TO 50mA)
- SUITABLE FOR FLOW SOLDERING
- LEAD-FREE FINISH



CHARACTERISTICS

Rated Voltage Range	5.5VDC	
Rated Capacitance Range	0.1F ~ 5.6F (100,000μF ~ 5,600,000μF)	
Operating Temp. Range	-40°C ~ +85°C	
Capacitance Tolerance	+80%/-20% (Z)	
Load Life Test @ 85°C 1,000 hours	Δ Capacitance Change	Less than ±30% of initial measured value
	Maximum ESR	Less than 200% of the specified maximum value
	Current at 30 minutes	Less than 200% of the specified maximum value
Temperature Cycling (5 cycles, -40 ~ +85°C)	Δ Capacitance Change	Within +80%/-20% of specified value
	Maximum ESR	Less than specified maximum value
	Current at 30 minutes	Less than specified maximum value
Humidity Resistance (240 hours @ 40°C/90% RH)	Δ Capacitance Change	Less than ±20% of initial measured value
	Maximum ESR	Less than 120% of the specified maximum value
	Current at 30 minutes	Less than 120% of the specified maximum value

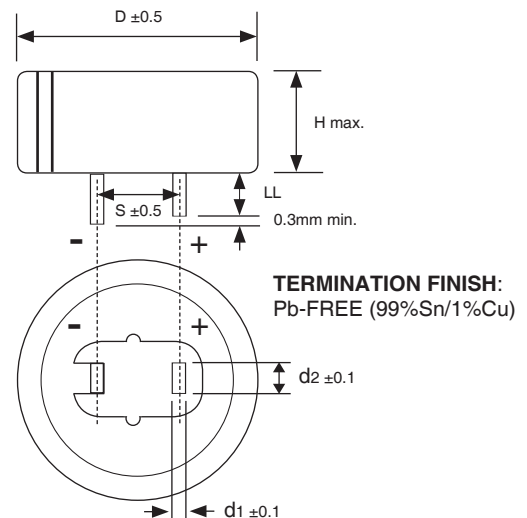
Super Capacitor Application Guide

STANDARD VALUES AND SPECIFICATIONS

NIC P/N	Capacitance Value (F)		Rated Voltage (VDC)	Max. Current @ 30 minutes (mA)	Max. ESR @ 1KHz (Ω)	Typical DCR (Ω)
	Charge	Discharge				
NEXT104Z5.5V11.5X8.5F	0.10	0.14	5.5	< 0.15	<16	23
NEXT224Z5.5V14.5X12F	0.22	0.28	5.5	<0.33	<10	16
NEXT474Z5.5V16.5X13F	0.47	0.60	5.5	<0.71	<6.5	5.4
NEXT105Z5.5V21.5X13F	1.0	1.3	5.5	<1.5	<3.5	2.9
NEXT225Z5.5V28.5X14F	2.2	2.8	5.5	<3.3	<1.8	2.1
NEXT335Z5.5V36.5X15F	3.3	4.2	5.5	<5.0	<1.0	1.3
NEXT565Z5.5V44.5X17F	5.6	7.2	5.5	<8.4	<0.6	0.8

CASE DIMENSIONS (mm)

NIC P/N	DIMENSIONS (mm)					
	D	H	S	LL	d1	d2
NEXT104Z5.5V11.5X8.5F	11.5	8.5	5.08	4.1 ± 1.0	0.4	1.2
NEXT224Z5.5V14.5X12F	14.5	12.0	5.08	3.4 ± 1.0	0.4	1.2
NEXT474Z5.5V16.5X13F	16.5	13.0	5.08	5.1 ± 1.0	0.4	1.2
NEXT105Z5.5V21.5X13F	21.5	13.0	7.62	4.5 ± 1.5	0.6	1.2
NEXT225Z5.5V28.5X14F	28.5	14.0	10.16	8.0 ± 1.5	0.6	1.4
NEXT335Z5.5V36.5X15F	36.5	15.0	15.0	8.7 ± 2.0	0.6	1.7
NEXT565Z5.5V44.5X17F	44.5	17.0	20.0	7.5 ± 2.0	1.0	1.4



PRECAUTIONS

WASHING is NOT RECOMMENDED. Additional guidelines and precautions can be found at www.niccomp.com/precautions
 If in doubt or uncertainty, please review your specific application - process details with NIC's technical support personnel: tpmg@niccomp.com



X-ON Electronics

Largest Supplier of Electrical and Electronic Components

Click to view similar products for [Supercapacitors](#) / [Ultracapacitors](#) category:

Click to view products by [NIC manufacturer](#):

Other Similar products are found below :

[DCK-3R3E224U-E](#) [BZ12GA154ZHB](#) [BZ195B273ZNBDM](#) [C-TEC2403-1](#) [CEM2](#) [KW-5R5C105H-R](#) [KW-5R5C224H-R](#) [KR-5R5C105H-R](#)
[DBJ-5R5D105T](#) [DXJ-5R5H334U](#) [DSK-3R3H703T414-HRL](#) [DHL-5R5D224GT](#) [LX055105A](#) [LT055105A](#) [SCCY73B407SLBLE](#)
[VPF127M3R8](#) [VPF706M3R8](#) [VMF706M3R8](#) [VMF506M3R8](#) [VPF506M3R8](#) [VMF306M3R8](#) [VPF227M3R8](#) [VMF227M3R8](#) [VMF127M3R8](#)
[DB5U207M30045HA](#) [DH5U128W60074TH](#) [DRE10/2.5](#) [DRL106S0TI25RRDAP](#) [DRL226S0TK25RR](#) [106DCN2R7M](#) [SCCR20B335SRB](#)
[SCCS30B106SRB](#) [SCCT30B156SRB](#) [SCCU30B306MRB](#) [SCCW45B107VSB](#) [SCMR14C474MSBA0](#) [SCMR22C155MRBA0](#)
[SCMR22C155MSBA0](#) [SCMS22C255MRBA0](#) [SCMT22C505MRBA0](#) [SCMT32C755MRBA0](#) [DRL475S0TG20RRDAP](#) [FT0H225ZF](#)
[FCS0H224ZFTBR24](#) [FR0H473ZF](#) [GS206F](#) [DS5U506M18040BB](#) [SCCV40B506MRB](#) [NEXT474Z5.5V16.5X13F](#) [DBJ-5R5D224T](#)