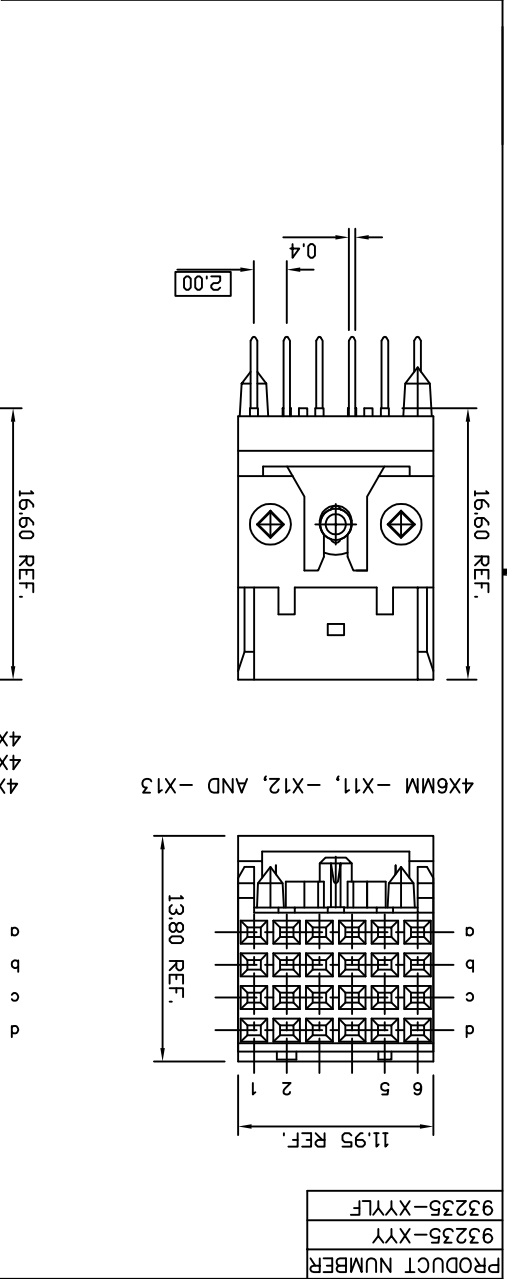


All rights strictly reserved. Reproduction or issue to third parties in any form whatever is not permitted without written authority from the proprietor. Property of FCI. Copyright FCI.

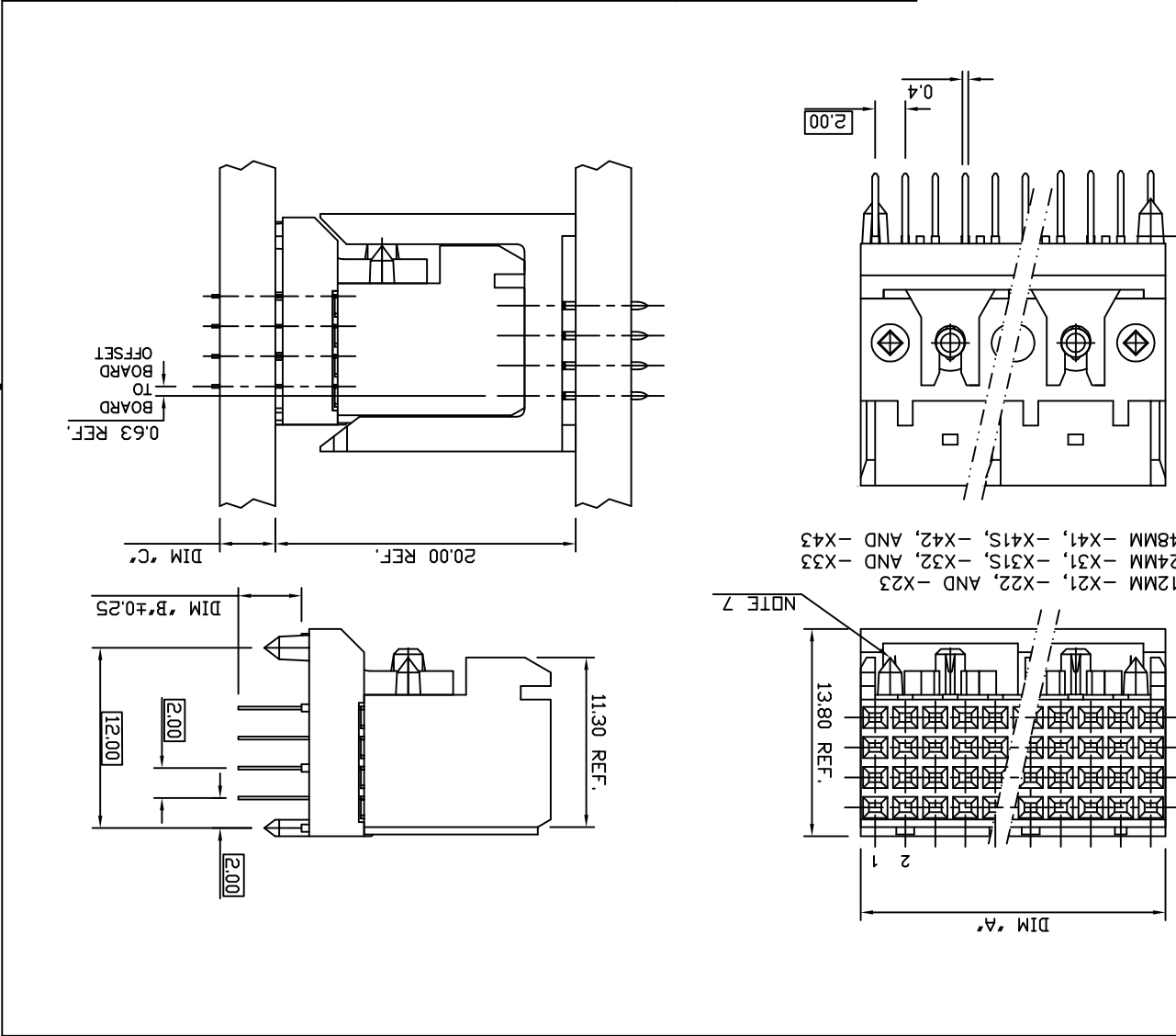


Tous droits strictement reserves. Reproduction ou communication a des tiers Interdite sous quelque forme que ce soit sans autorisation écrite du propriétaire. Propriete de c FCI. Droits de reproduction FCI.

PLATING CONTACT AREA:	
DASH NR:	PERFORMANCE LEVEL
-1YY/1YYLF	TELCORDIA CO
-2YY/2YYLF	CUSTOMER SPECIAL
-3YY/3YYLF	CUSTOMER SPECIAL



mat'l. code		SEE NOTES		tolerances unless otherwise specified		CUSTOMER COPY		www.fciconnect.com	
ltr	ecn no	dr	date	linear	angles	projection	title	product family	code
M	D607-0171	Cenh	05/25/07	05/25/07	9/3/08	XX f.10	VERT. SIG. RECEPT ASSY	4x6, 4x12, 4x24, 4x48	213
N	D607-0375	Cenh	9/10/07	9/10/07	9/3/08	.XXX f.050			
P	D608-0171	TER	9/3/08	9/3/08	03/03/09	0° f.2°			
R	D609-0068	Cenh	03/03/09	03/03/09	03/03/09	T.BRUNGARD			
K	V03-0722	LP	8/22/03	8/22/03	2/22/03	M.GRAY	MM	size	213
L	V05-0398	DAI	04/29/30	04/29/30	2/22/03	M.GRAY	scale	dwg no	93235
							1:1	product family	METRAL (tm)
sheet	revision	sheet	index						
R	R	R	R						
1	2	3	3						



PRODUCT NUMBER	93235-XY
	93235-XYLF

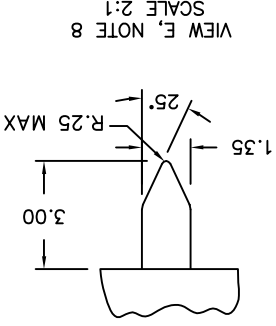


PRODUCT NUMBER	DIM "A"	DIM "B"	DIM "C"
93235-X11	-	2.65	1.6
93235-X21	23.95 REF.	2.65	1.6
93235-X31	47.95 REF.	2.65	1.6
93235-X41	95.95 REF.	2.65	1.6
93235-X31S (B)	47.95 REF.	2.65	1.6
93235-X41S (B)	95.95 REF.	2.65	1.6

*SEE NOTE 10 FOR LEAD FREE OPTION

PRODUCT NUMBER	DIM "A"	DIM "B"	DIM "C"
93235-X12	-	3.45	2.4
93235-X22	23.95 REF.	3.45	2.4
93235-X32	47.95 REF.	3.45	2.4
93235-X42	95.95 REF.	3.45	2.4

"-" POSITION NOT LOADED
"X" POSITION LOADED



PRODUCT NUMBER	DIM "A"	DIM "B"	DIM "C"
93235-X13	-	4.25	3.2
93235-X23	23.95 REF.	4.25	3.2
93235-X33	47.95 REF.	4.25	3.2
93235-X43	95.95 REF.	4.25	3.2

- NOTES:
- BODY MATERIAL: LCP 30% GLASS
 - FLAME RETARDANT ACC. UL 94-V0
 - TERMINAL MATERIAL: PHOSPHOR BRONZE
 - PLATING SOLDERALS
93237-XYX 1.0-2.0 µm SnPb TIN LEAD
93237-XYXL 1.0-2.0 µm Sn (LEAD FREE)
 - APPLICATION SPECIFICATIONS:
BUS-20-059
GS-20-001
 - PRODUCT MARKING: (PART NUMBER & LOT CODE).
 - DIAMOND LOCATION PEG ARE ONLY EXISTED ON THE BOTH SIDES OF PRODUCT.
 - PRODUCT WITH AN "S" SUFFIX WILL HAVE A SPECIAL ALIGNMENT POST AS SPECIFIED PER DETAIL E, SHEET 2.
EXAMPLE/LEAD FREE OPTION: 93235-XYXSLF
 - THESE PRODUCTS WHERE PART NUMBERS ENDS IN "LF" MEET THE EUROPEAN UNION DIRECTIVES AND OTHER COUNTRY REGULATIONS AS DESCRIBED IN GS-22-008.
FOR PLATING SPEC, REFER TO DRAWING 10097866.
 - FOR LEAD FREE PART NUMBERS ADD "LF" SUFFIX. EXAMPLE 93235-XYXLF
 - ALL PRODUCTS WILL WITHSTAND EXPOSURE TO 240°C FOR 60 SECONDS IN A CONVECTION, INFAR-RED OR VAPOR PHASE REFLOW OVEN.

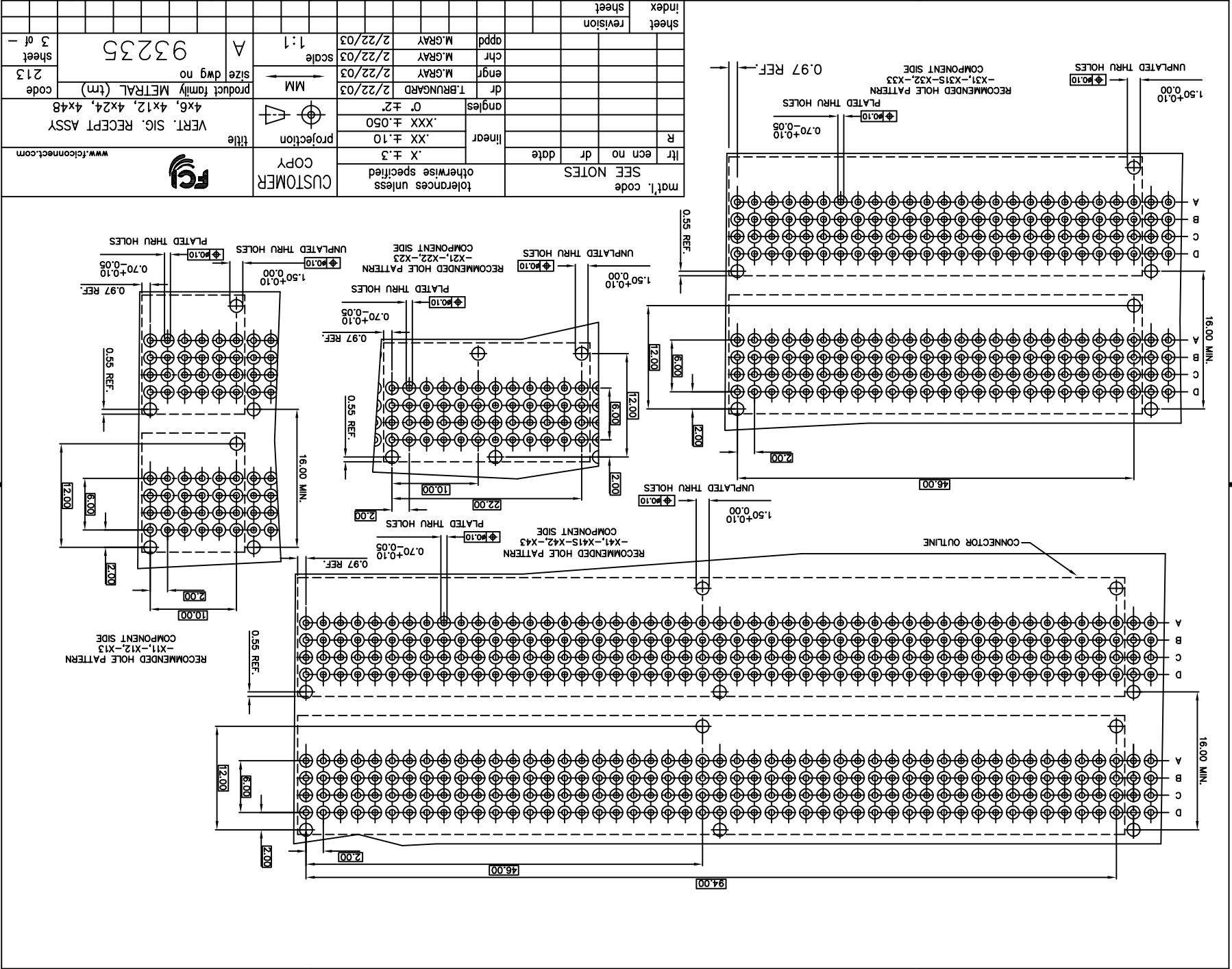
mat'l. code		SEE NOTES		tolerances unless otherwise specified		.X F.3		date		R	
linear		.XX F.10		.XXX F.050		0° ±2°		angles		dr	
engr		M.GRAY		2/22/03		T.BRUNGARD		2/22/03		dr	
chr		M.GRAY		2/22/03		M.GRAY		2/22/03		chr	
opdd		M.GRAY		2/22/03		opdd		M.GRAY		2/22/03	
sheet		revision		sheet		index		sheet		revision	

code 213
product family METRAL (tm)
size dwg no
scale 1:1
projection
title
VERT. SIG. RECEIPT ASSY
4x6, 4x12, 4x24, 4x48
www.fciconnect.com

All rights strictly reserved. Reproduction or issue to third parties in any form whatever is not permitted without written authority from the proprietor. Property of FCI. Copyright FCI.



Tous droits strictement réservés. Reproduction ou communication à des tiers interdite sous quelque forme que ce soit sans autorisation écrite du propriétaire. Propriété de c FCI. Droits de reproduction FCI.



mat'l. code		SEE NOTES		tolerances unless otherwise specified		CUSTOMER COPY		www.fciconnect.com	
l/r	ecn no	dr	date	linear	angles	projection	title	VERT. SIG. RECEIPT ASSY	
					0° ±.2	1st angle	4x6, 4x12, 4x24, 4x48	product family METRAL (tm)	
				dr	T.BRUNGARD	2/22/03	size	dwg no	93235
				engr	M.GRAY	2/22/03	scale	sheet	3 of -
				chr	M.GRAY	2/22/03	sheet	code	213
				appd	M.GRAY	2/22/03	sheet	code	22526
sheet	revision	index		sheet		sheet		sheet	

X-ON Electronics

Largest Supplier of Electrical and Electronic Components

Click to view similar products for [High Speed/Modular Connectors](#) category:

Click to view products by [Amphenol](#) manufacturer:

Other Similar products are found below :

[2332816-1](#) [89006-1137LF](#) [650827-1](#) [65762-001LF](#) [73474-201LF](#) [74040-1346](#) [74075-0267](#) [88911-201LF](#) [9514M0C20D](#) [1410191-1](#)
[1410337-1](#) [1410368-3](#) [1410964-2](#) [1410326-3](#) [1410367-3](#) [1410971-4](#) [1467833-1](#) [2000877-1](#) [2000878-1](#) [2041314-1](#) [2065387-1](#) [2187307-1](#)
[2187462-1](#) [2226278-6](#) [KA81-07](#) [91290-101LF](#) [1934290-1](#) [2000875-1](#) [2065917-1](#) [2102736-2](#) [FSR-40](#) [2169868-2](#) [2226279-2](#) [22354-8](#) [437-](#)
[5040-000](#) [5-1393565-0](#) [532449-3](#) [532803-2](#) [34745-0001](#) [0740618502](#) [0760151403](#) [0760551105](#) [0760551608](#) [0761451128](#) [0761651124](#)
[0761655108](#) [0761659807](#) [0769853208](#) [0736440217](#) [0758324203](#)