




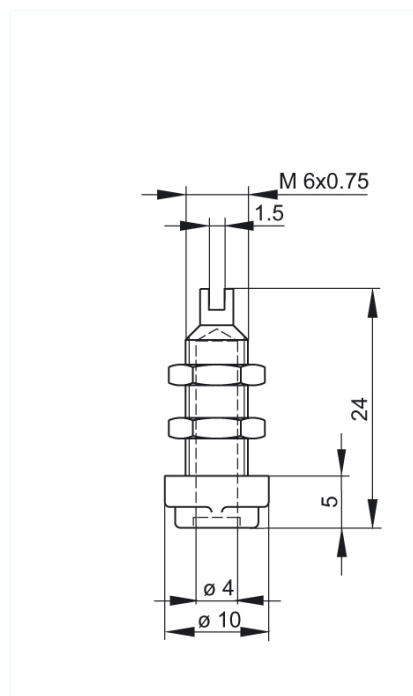
## BUG 10 schwarz/black

Industrial Connectors:Measuring and Testing Equipment:Sockets:4 mm system

### Product description

Description	Socket with oval insulated head, 4 mm diameter tin-plated brass socket, with solder connection.
Type	BUG 10 schwarz/black
Order No.	930 175-100
System	4 mm system
Housing Color	black
Color types	
Other standard types	red color, order no. 930 175-101; blue color, order no. 930 175-102; yellow color, order no. 930 175-103; green color, order no. 930 175-104; white color, order no. 930 175-107

### Drawing



### Technical data

Type of contact	socket
Type of termination	solder
Rated voltage	DC 60 V
Rated current	16 A
Contact resistance	5 mOhm
Mounting	screw
<b>Material</b>	
Contact material	brass
Contact surface material	tin-plated
Housing material	PF
<b>Environmental conditions</b>	
Temperature range	-25 °C to +85 °C
<b>Inflammability class</b>	
Housing	94 V-0

## X-ON Electronics

Largest Supplier of Electrical and Electronic Components

*Click to view similar products for [Test Plugs & Test Jacks](#) category:*

*Click to view products by [Hirschmann](#) manufacturer:*

Other Similar products are found below :

[579-0400](#) [66000-7](#) [R644543000](#) [R921923000](#) [R921930000](#) [R941344000](#) [R948161000](#) [R999351000](#) [1408-4](#) [1533-1](#) [174-R825B-EX](#)  
[NYS508-BU](#) [1680](#) [174-R819B-EX](#) [R644543003](#) [R644543020](#) [R644543021](#) [R921926000](#) [R921931000](#) [R921932000](#) [R921934000](#)  
[R929991000](#) [R941460000](#) [R941461000](#) [R941463600](#) [R941920600](#) [R948160000](#) [31B-2-RED](#) [032-0016-023](#) [105-1106-001](#) [108-1000-106](#)  
[108-2301-621](#) [111-0707-001](#) [66001-9](#) [7013](#) [1395080-1](#) [930166100](#) [NYS508-GR](#) [NYS508-W](#) [NYS508-Y](#) [NYS511-R](#) [BP30-2BR10-B PKG](#)  
[BP30-10-WT](#) [BP30-2BR-B PKG](#) [BP30Y-1 PKG](#) [R941049000](#) [R941340000](#) [R948141029](#) [R644543022](#) [R948142000](#)