

Customer Information Sheet

DRAWING No.: H3175-XX

SHEET 2 OF 2

IF IN DOUBT - ASK

(C)

NOT TO SCALE

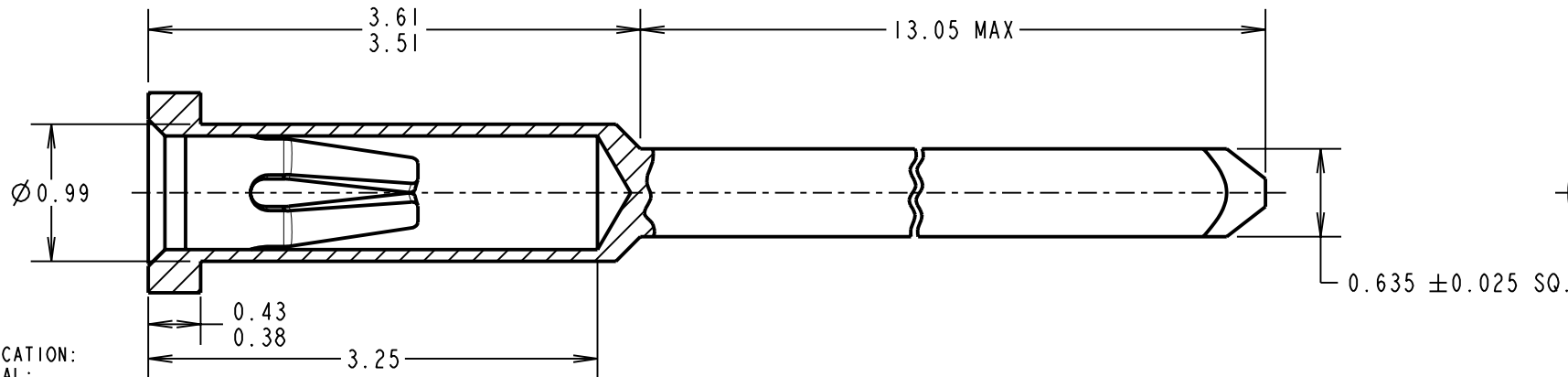
THIRD ANGLE PROJECTION

ALL DIMENSIONS IN mm

NOTES:

1. MAXIMUM CONTACT DEPTH = 2.16mm.
2. RECOMMENDED HOLE SIZE = \varnothing 1.10/1.00mm
3. RECOMMENDED PIN SIZE = \varnothing 0.53-0.41mm.
4. MAXIMUM PIN LENGTH = 3.15mm.

PART SECTION X-X



SPECIFICATION:

MATERIAL:
 CONTACT SHELL = BRASS
 CONTACT CLIP = BERYLLIUM COPPER

FINISH:
 01 = 0.10 μ GOLD CLIP, 4 μ TIN SHELL
 05 = 0.10 μ GOLD CLIP, 0.13 μ GOLD SHELL
 46 = 1.3 μ 100% TIN CLIP, 4 μ TIN SHELL

ELECTRICAL:
 CURRENT RATING AT = 2 AMPS MAX
 CONTACT RESISTANCE (INITIAL) = 10 MILLIOHMS MAX

MECHANICAL:
 INSERTION FORCE (\varnothing 0.5mm GAUGE) = 6N MAX
 WITHDRAWAL FORCE (\varnothing 0.5mm GAUGE) = \varnothing 0.5N MIN

DURABILITY:
 01, 05 = 500 OPERATIONS
 46 = 50 OPERATIONS

ENVIRONMENTAL:
 OPERATING TEMPERATURE = -55°C TO +125°C
 FOR COMPLETE SPECIFICATION, SEE COMPONENT SPECIFICATION C006XX (LATEST ISSUE).

ORDER CODE:

H3175-XX

FINISH:

- 01 = TIN SHELL, GOLD CLIP
- 05 = GOLD SHELL, GOLD CLIP
- 46 = 100% TIN SHELL & TIN CLIP

CP	7	11.12.09	10573
NAME	ISS.	DATE	C/NOTE
APPROVED: C.PENROSE			
CHECKED: R.ADDE			
DRAWN: J.CLAY			
CUSTOMER REF.:			
ASSEMBLY DRG:			

HARWIN

THIS DRAWING AND ANY INFORMATION OR DESCRIPTIVE MATTER SET OUT HEREON ARE CONFIDENTIAL AND COPYRIGHT PROPERTY OF THE HARWIN GROUP AND MUST NOT BE DISCLOSED, LOANED, COPIED OR USED FOR MANUFACTURING, TENDERING OR FOR ANY OTHER PURPOSE WITHOUT THEIR WRITTEN PERMISSION.

TOLERANCES

X. = \pm 1mm
 X.X = \pm 0.25mm
 X.XX = \pm 0.10mm
 X.XXX = \pm 0.01mm
 ANGLES = \pm 5°
 UNLESS STATED

MATERIAL:

SEE ABOVE

FINISH: SEE ABOVE

S/AREA: mm²

TITLE:

SUB MINIATURE SOCKET ASSY
 WIRE WRAP (3 LEVEL)

DRAWING NUMBER:

H3175-XX

HARWIN USA TEL: 603 893 5376 FAX: 603 893 5396 mis@harwin.com	HARWIN Europe (UK) TEL: 023 9231 4545 FAX: 023 9231 4590 mis@harwin.co.uk	HARWIN Asia TEL: +65 6 779 4909 FAX: +65 6 779 3868 mis@harwin.com.sg
---	---	---

SHT
 2 OF 2

X-ON Electronics

Largest Supplier of Electrical and Electronic Components

Click to view similar products for [harwin](#) manufacturer:

Other Similar products are found below :

[M20-1160046](#) [G125-MC12005L4-0150M](#) [M80-4711005](#) [M80-4801642](#) [M80-5711005](#) [M80-5T10405M1-02-331-00-000](#) [M80-9403405](#)
[Z1023-00](#) [G125-MH15005L7P](#) [M80-8412042](#) [M80-8662622](#) [M80-5400622](#) [M22520-02-01](#) [M20-9760742](#) [Z80-292](#) [Z30-021](#) [DEV-001](#)
[M20-9752046](#) [M80-4801605](#) [Z50-020](#) [G125-MS12605M2P](#) [G125-FV12005F1P](#) [G125-9641600](#) [M80-4D10605F2-02-327-00-000](#) [G125-](#)
[FC11005F0-0450L](#) [G125-FC11005F1-0150F1](#) [M80-4051605](#) [M80-FC325F1-04-0300L](#) [M80-5T10622MC](#) [M80-5T10805M2-02-331-00-000](#)
[M80-FC23468FC-0150L](#) [M80C150968C](#) [M22-6013005](#) [M50-3111042](#) [M80-4122042](#) [M80-4123442](#) [M80-5000000M3-10-332-00-000](#) [M80-](#)
[9400605](#) [M80-9424205](#) [M80-MV311M2-06](#) [H2039-01](#) [M20-9970845](#) [M80-4201442](#) [Z80-300](#) [Z1022-00](#) [M83-LFT1F2N27-0000-000](#) [M83-](#)
[LFT1F2N36-0000-000](#) [M80-8771722](#) [M80-8871001](#) [M22520/2-01](#)