



Ordering number C12041
Description C12041_Eva-S-XM

Family Eva
Type Lens
LED XM-L
Color Transparent
Diameter 35 mm
Height 16.4 mm
Style Round
Optic Material PMMA
Holder Material -
Fastening -
Status Ready

FWHM 13 degrees
Efficiency 94 %
cd/lm -
Gerber File Available

Outer flange can be secured in fixture for hardware-free attach



Ordering number C10684
Description C10684_Eva-XM-D

Family Eva
Type Lens
LED XM-L
Color Transparent
Diameter 35 mm
Height 16.4 mm
Style Round
Optic Material PMMA
Holder Material -
Fastening -
Status Ready

FWHM 16 degrees
Efficiency 91 %
cd/lm -
Gerber File Available

Outer flange can be secured in fixture for hardware-free attach



Ordering number C10685
Description C10685_Eva-XM-M

Family Eva
Type Lens
LED XM-L
Color Transparent
Diameter 35 mm
Height 16.4 mm
Style Round
Optic Material PMMA
Holder Material -
Fastening -
Status Ready

FWHM 24 degrees
Efficiency 88 %
cd/lm -
Gerber File Available

Outer flange can be secured in fixture for hardware-free attach



Ordering number C10686
Description C10686_Eva-XM-W

Family Eva
Type Lens
LED XM-L
Color Transparent
Diameter 35 mm
Height 16.4 mm
Style Round
Optic Material PMMA
Holder Material -
Fastening -
Status Ready

FWHM 40 degrees
Efficiency 79 %
cd/lm -
Gerber File Available

Outer flange can be secured in fixture for hardware-free attach



Ordering number C10909
Description C10909_Eva-XM-WW
Family Eva
Type Lens
LED XM-L
Color Transparent
Diameter 35 mm
Height 16.4 mm
Style Round
Optic Material PMMA
Holder Material -
Fastening -
Status Ready

FWHM 64 degrees
Efficiency 77 %
cd/lm -
Gerber File Available

Outer flange can be secured in fixture for hardware-free attachment

NOTE: The typical divergence will be changed by different color, chip size and chip position tolerance. The typical total divergence is the full angle measured where the luminous intensity is half of the peak value.



PRODUCT DATASHEET Eva series



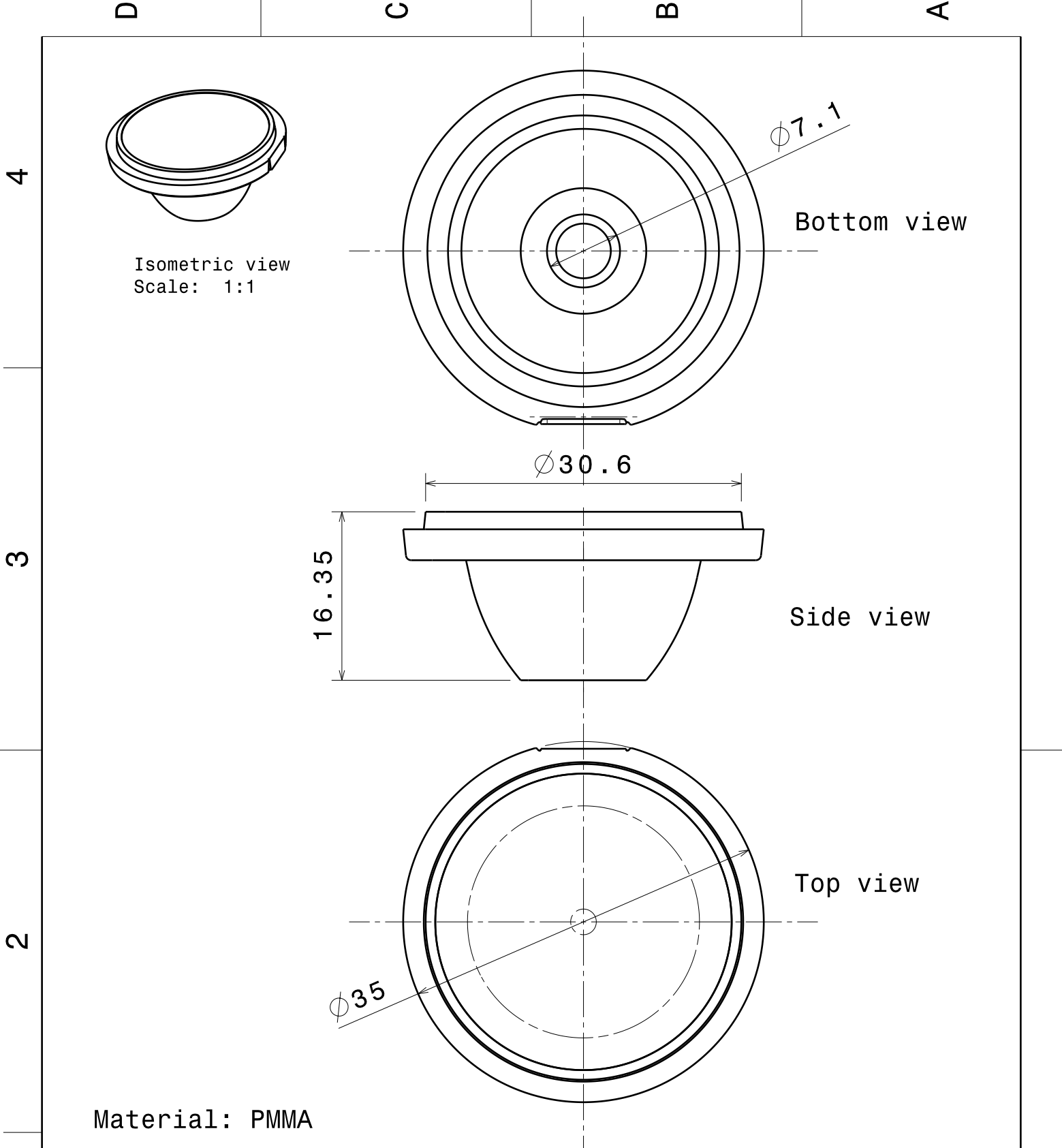
GENERAL INFORMATION

- Product series especially designed & optimized for XM-L series of LEDs.
- Special care taken to make light distribution as uniform as possible.
- Lens material optical grade PMMA with high UV and temperature resistance (105 degrees of Celcius / 220 degrees of Fahrenheit). Allows use of high current and temperature conditions.

Please find more information about used material from below:

http://ledil.fi/sites/default/files/Documents/Technical/Material/PMMA%20N%20UL94_Yellow%20Card.pdf

<http://ledil.fi/sites/default/files/Documents/Technical/Material/PMMA%20N%20PLEXIGLAS-Datasheet.pdf>



This drawing is our property.
It can't be reproduced
or communicated without
our written agreement.



Ledil Oy
Tehdaskatu 13
FIN-24100 SALO
Finland

DRAWING TITLE

Datasheet Eva-mc-WW Lens

DRAWN BY
PV
DATE
26.06.2009

CHECKED BY
tk
DATE
09.06.2009

DESIGNED BY
HH
DATE
13.05.2009

SIZE A4
DRAWING NUMBER C10909
REV 1.0

SCALE 2:1
WEIGHT (g)
SHEET 1/1

4

3

2

1

1

D

A

X-ON Electronics

Largest Supplier of Electrical and Electronic Components

Click to view similar products for [LED Lenses](#) category:

Click to view products by [Ledil](#) manufacturer:

Other Similar products are found below :

[131A-303G](#) [131A-304R](#) [139A-403R](#) [139A-403A](#) [160A-604R](#) [160A-604Y](#) [SMB_200_GTP](#) [SMQ_250_ATP](#) [SMS_172_RTP](#) [SQB_400_ATP](#)
[SSN-LX13049L-CD](#) [SSN-LX18754A](#) [SSN-LX18754C](#) [2817](#) [CLR_301_YTP](#) [CMC_313_ATP](#) [3121](#) [3124](#) [3125](#) [39-30-W03](#) [4344](#) [4623](#)
[4745](#) [4747](#) [3111](#) [3114](#) [3115](#) [3121](#) [3122](#) [3124](#) [3125](#) [4327](#) [4743](#) [4745](#) [4752](#) [4757](#) [SSN-LX690L1-C](#) [SQL_360_YTP](#) [SMQ_250_BTP](#) [3114](#)
[3113](#) [CMS444CTP](#) [1125-227-000](#) [4317](#) [4347](#) [4741](#) [4316](#) [4343](#) [4345](#) [4345](#)