

Cute Cute-3 series



Ordering number C10754
Description C10754_Cute-3-SS-XM

| | | | |
|-----------------|-------------|-------------|------------|
| Family | Cute | FWHM | 19 degrees |
| Type | Lens | Efficiency | - |
| LED | XM-L | cd/lm | - |
| Color | Transparent | Gerber File | Available |
| Diameter | 35 mm | | |
| Height | 15 mm | | |
| Style | Round | | |
| Optic Material | PMMA | | |
| Holder Material | - | | |
| Fastening | Glue, pin | | |
| Status | Ready | | |



Ordering number C10755
Description C10755_Cute-3-M-XM

| | | | |
|-----------------|-------------|-------------|------------|
| Family | Cute | FWHM | 25 degrees |
| Type | Lens | Efficiency | - |
| LED | XM-L | cd/lm | - |
| Color | Transparent | Gerber File | Available |
| Diameter | 35 mm | | |
| Height | 15 mm | | |
| Style | Round | | |
| Optic Material | PMMA | | |
| Holder Material | - | | |
| Fastening | Glue, pin | | |
| Status | Ready | | |



Ordering number C10756
Description C10756_Cute-3-W-XM

| | | | |
|-----------------|-------------|-------------|-----------|
| Family | Cute | FWHM | 0 degrees |
| Type | Lens | Efficiency | - |
| LED | XM-L | cd/lm | - |
| Color | Transparent | Gerber File | Available |
| Diameter | 35 mm | | |
| Height | 15 mm | | |
| Style | Round | | |
| Optic Material | PMMA | | |
| Holder Material | - | | |
| Fastening | Glue, pin | | |
| Status | Ready | | |



Ordering number C11333
Description C11333_Cute-3-SS-XM

| | | | |
|-----------------|-------------|-------------|------------|
| Family | Cute | FWHM | 19 degrees |
| Type | Lens | Efficiency | - |
| LED | XM-L | cd/lm | - |
| Color | Transparent | Gerber File | Available |
| Diameter | 35 mm | | |
| Height | 15 mm | | |
| Style | Round | | |
| Optic Material | PMMA | | |
| Holder Material | - | | |
| Fastening | Glue, pin | | |
| Status | Ready | | |



Cute Cute-3 series

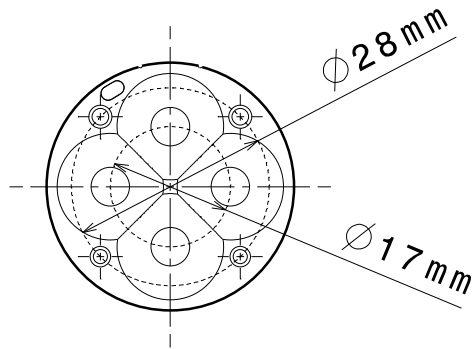


Ordering number C11334
Description C11334_Cute-3-M-XM

| | | | |
|-----------------|-------------|-------------|------------|
| Family | Cute | FWHM | 25 degrees |
| Type | Lens | Efficiency | - |
| LED | XM-L | cd/lm | - |
| Color | Transparent | Gerber File | Available |
| Diameter | 35 mm | | |
| Height | 15 mm | | |
| Style | Round | | |
| Optic Material | PMMA | | |
| Holder Material | - | | |
| Fastening | Glue, pin | | |
| Status | Ready | | |

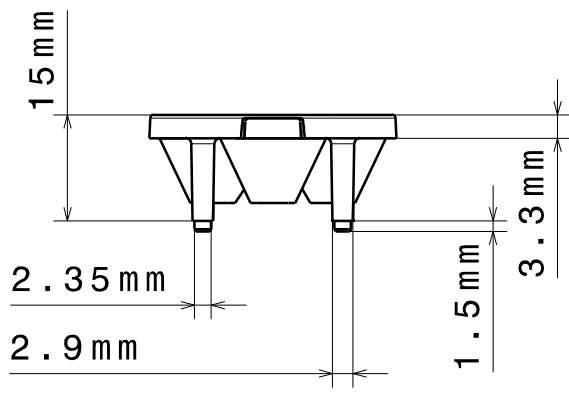
D C B A

4



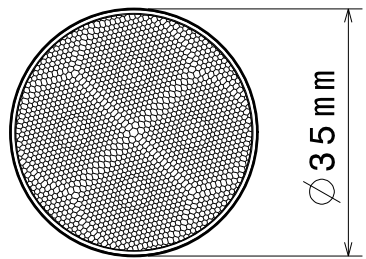
4

3



3

2



2

Material: PMMA

This drawing is our property. It can't be reproduced or communicated without our written agreement.



Ledil Oy
Tehdaskatu 13
FIN-24100 SALO
Finland

DRAWING TITLE

Cute-4-CSS

1

| | |
|----------------|--------------------|
| DRAWN BY RM | DATE 05.12.2007 |
|----------------|--------------------|

| | |
|------------------|--------------------|
| CHECKED BY HH | DATE 05.12.2007 |
|------------------|--------------------|

| | |
|-------------------|--------------------|
| DESIGNED BY HH | DATE 05.12.2007 |
|-------------------|--------------------|

| | | |
|--------------|-------------------------|--------------|
| SIZE A4 | DRAWING NUMBER 10446 | REV 0.1 |
| SCALE 1:1 | WEIGHT (g) | SHEET 1/1 |

1

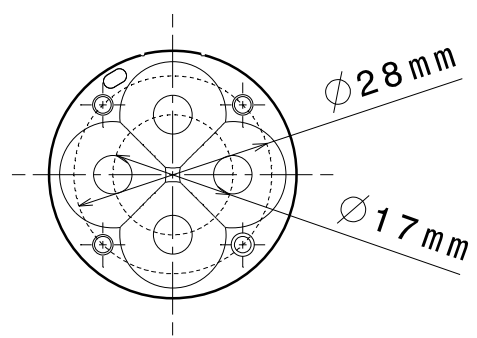
D

A

D C B A

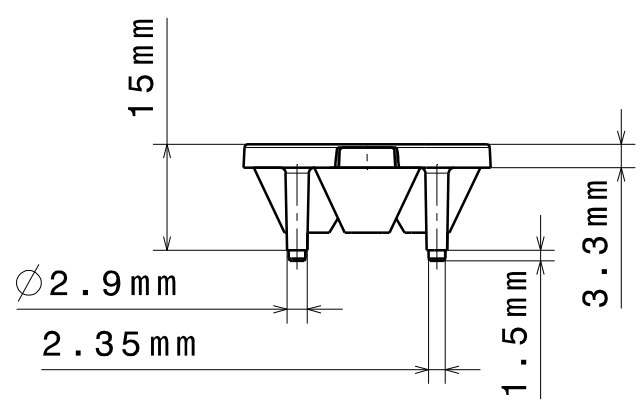
4

4



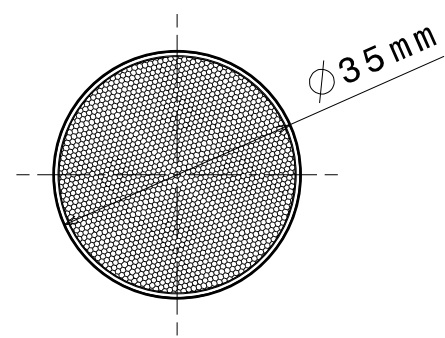
3

3



2

2



Material: PMMA

This drawing is our property. It can't be reproduced or communicated without our written agreement.



Ledil Oy
 Tehdaskatu 13
 FIN-24100 SALO
 Finland

DRAWING TITLE **Cute-4-CM**

1

1

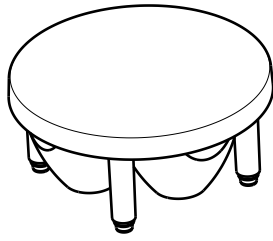
| | | | | | | | |
|--------------------------|--|--------------------|--------------------------------|------------|--|----------------|-------------------|
| DRAWN BY RM | | DATE 07.12.2007 | DRAWING NUMBER 10447 | | | | REV 0.1 |
| CHECKED BY HH | | DATE 07.12.2007 | SIZE A4 | WEIGHT (g) | | SHEET 1 / 1 | |
| DESIGNED BY HH | | DATE 07.12.2007 | SCALE 1 : 1 | | | | |

D

A

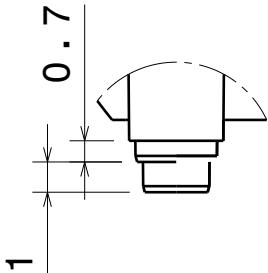
D C B A

4

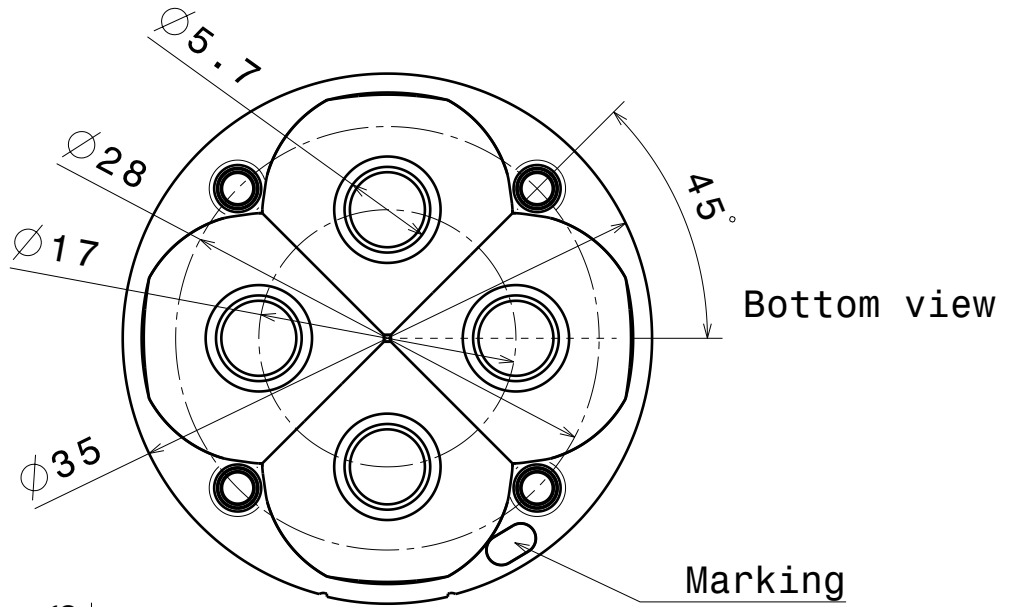


Isometric view
Scale: 1:1

3



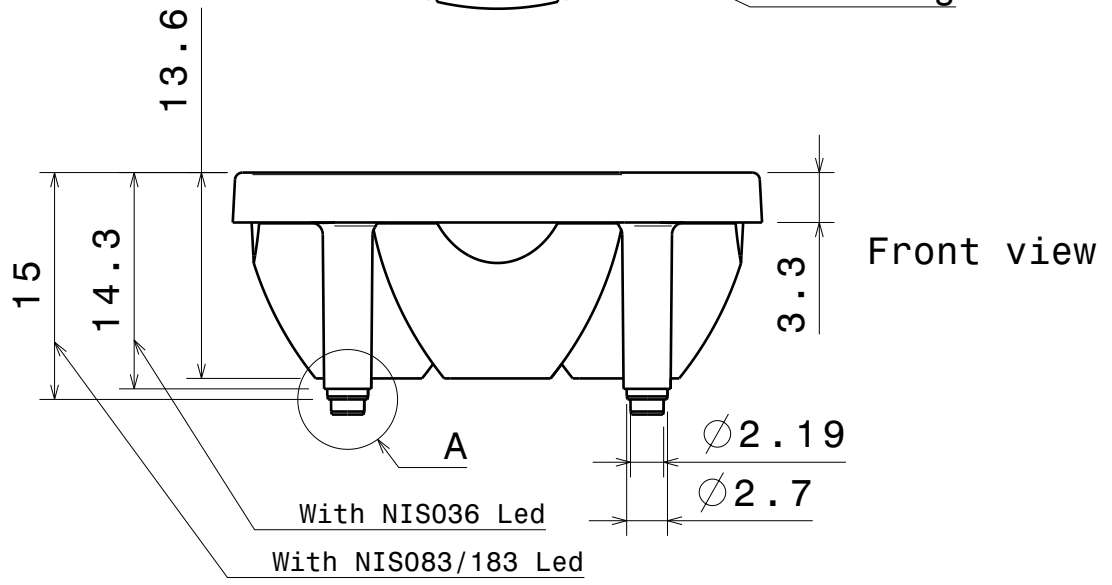
Detail A
Scale: 4:1



Bottom view

Marking

2



Front view

Material: PMMA

With NIS036 Led
With NIS083/183 Led

Tolerances:
Dimensions less < 20mm +/-0.1mm
Dimensions between (21-45)mm +/-0.2mm

1

This drawing is our property.
It can't be reproduced
or communicated without
our written agreement.



DRAWING TITLE
Datasheet Cute-4-NIS-M lens

DRAWN BY
p

DATE
21.01.2009

CHECKED BY
t k

DATE
14.12.2008

SIZE
A4

DRAWING NUMBER
10812

REV
0.1

DESIGNED BY
HH

DATE
14.12.2008

SCALE
2:1

WEIGHT (g)

SHEET
1/1

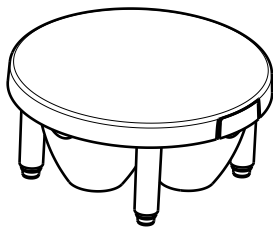
D A

D

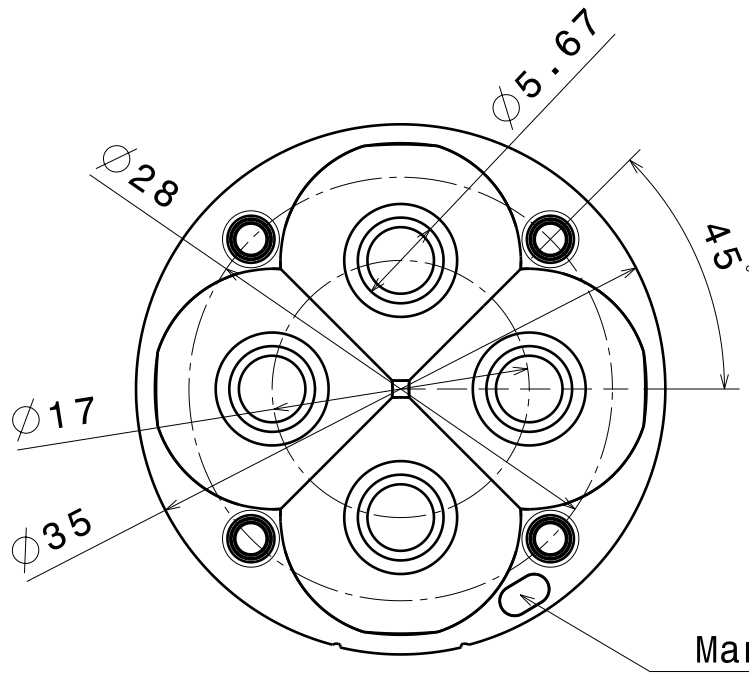
C

B

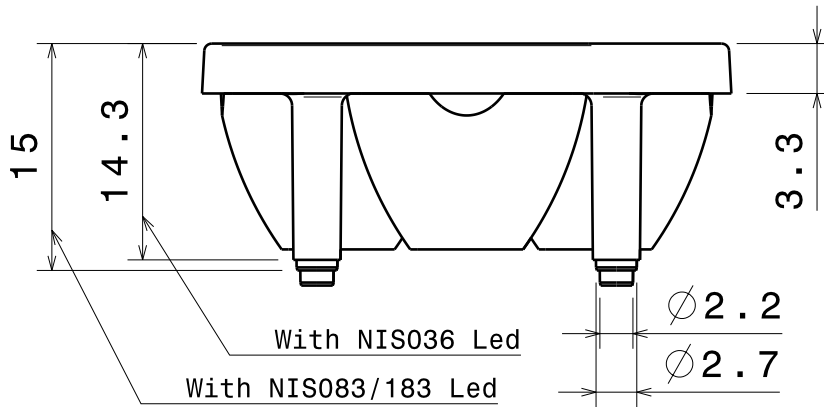
A



Isometric view
Scale: 1:1



Bottom view



Front view

With NIS036 Led

With NIS083/183 Led

Material: PMMA

This drawing is our property.
It can't be reproduced
or communicated without
our written agreement.



Ledil Oy
Tehdaskatu 13
FIN-24100 SALO
Finland

DRAWING TITLE

Datasheet Cute-4-NIS-W lens

DRAWN BY

pv

DATE

22.01.2009

CHECKED BY

tk

DATE

14.12.2008

SIZE

A4

DRAWING NUMBER

10813

REV

0.1

DESIGNED BY

HH

DATE

14.12.2008

SCALE

2:1

WEIGHT (g)

SHEET

1/1

D

A

4

4

3

3

2

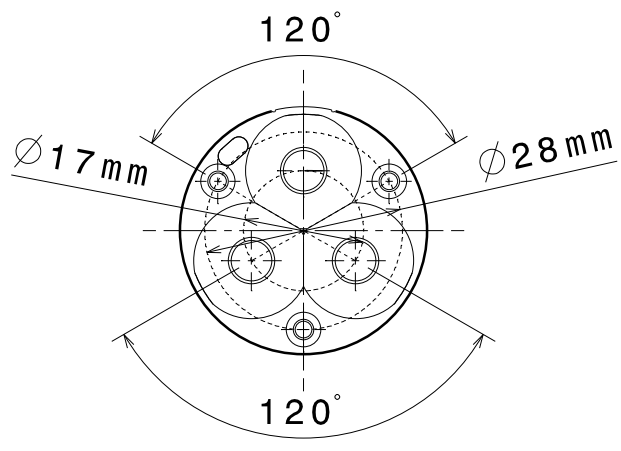
2

1

1

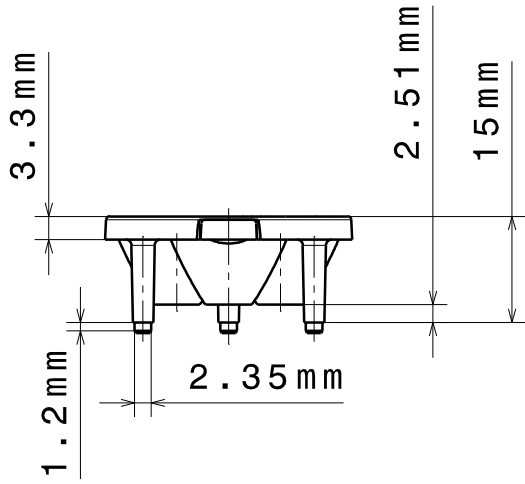
D C B A

4



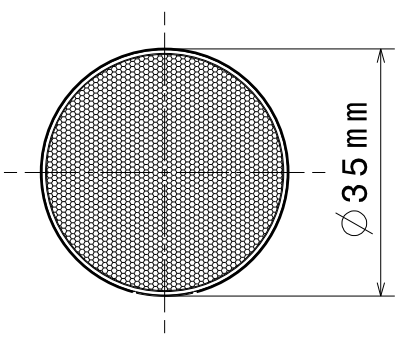
4

3



3

2



2

Material: PMMA

This drawing is our property. It can't be reproduced or communicated without our written agreement.



Ledil Oy
Tehdaskatu 13
FIN-24100 SALO
Finland

DRAWING TITLE **Cute-3-CM**

1

| | |
|-------------------|--------------------|
| DRAWN BY RM | DATE 31.10.2007 |
| CHECKED BY HH | DATE 31.10.2007 |
| DESIGNED BY HH | DATE 31.10.2007 |

| | | |
|---------------------|--------------------------------|---------------------|
| SIZE A4 | DRAWING NUMBER 10427 | REV 0.1 |
| SCALE 1:1 | WEIGHT (g) | SHEET 1/1 |

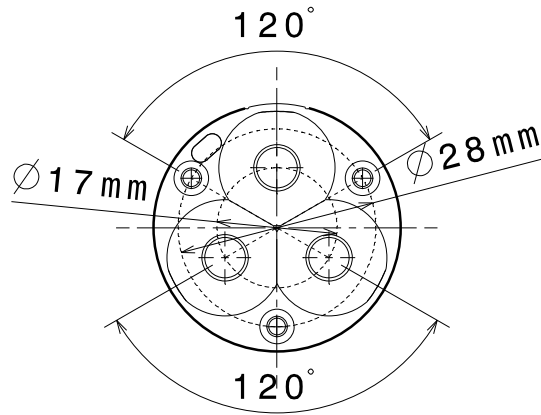
1

D

A

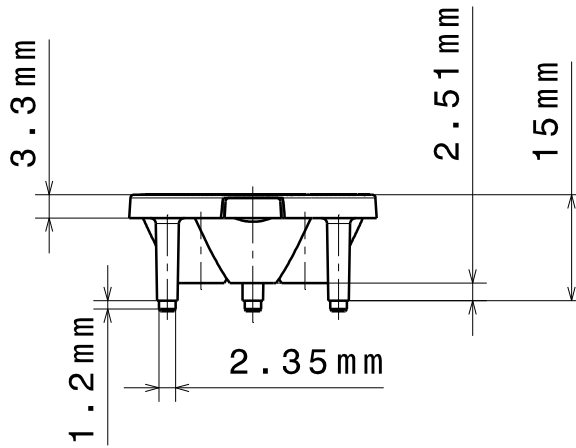
D C B A

4



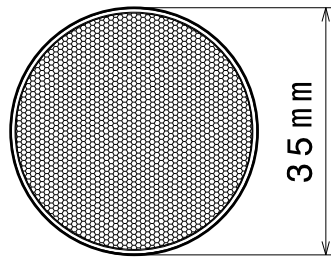
4

3



3

2



2

Material: PMMA

This drawing is our property.
It can't be reproduced
or communicated without
our written agreement.



Ledil Oy
Tehdaskatu 13
FIN-24100 SALO
Finland

DRAWING TITLE

Cute-3-CSS

| | |
|----------------|--------------------|
| DRAWN BY RM | DATE 30.10.2007 |
|----------------|--------------------|

| | |
|------------------|--------------------|
| CHECKED BY HH | DATE 30.10.2007 |
|------------------|--------------------|

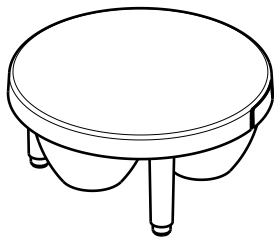
| | |
|-------------------|--------------------|
| DESIGNED BY HH | DATE 30.10.2007 |
|-------------------|--------------------|

| | | |
|--------------|-------------------------|--------------|
| SIZE A4 | DRAWING NUMBER 10428 | REV 0.1 |
| SCALE 1:1 | WEIGHT (g) | SHEET 1/1 |

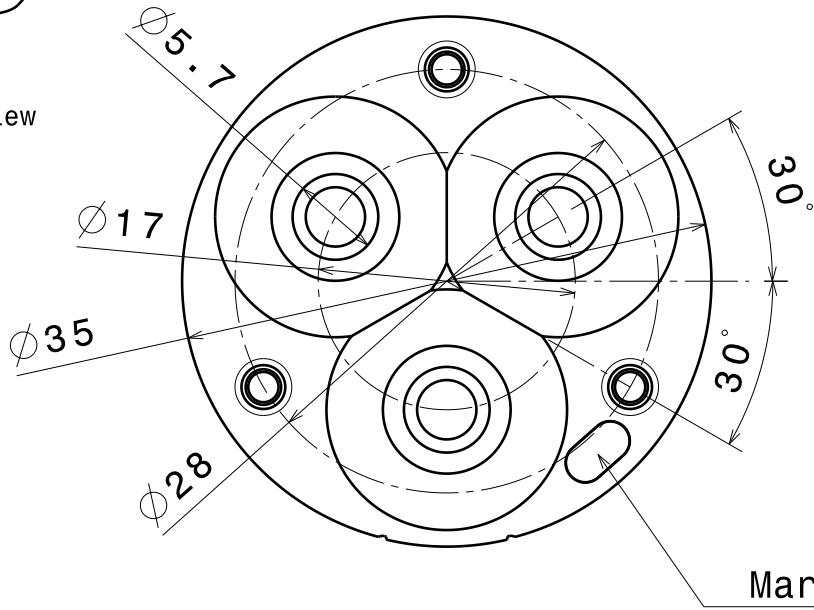
1

1

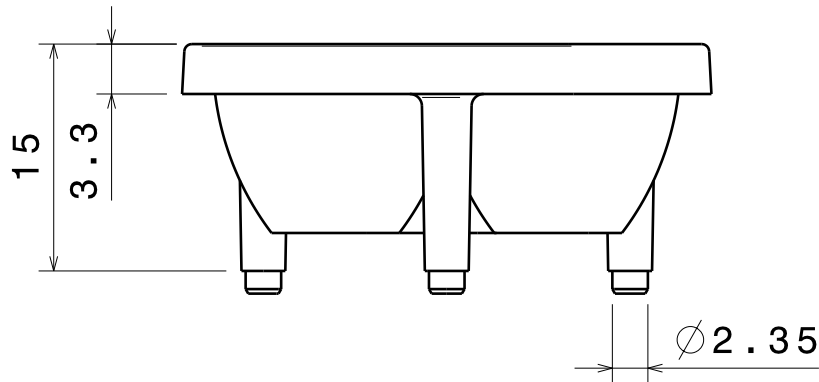
D A



Isometric view
Scale: 1:1



Bottom view



Front view

Material: PMMA

This drawing is our property.
It can't be reproduced
or communicated without
our written agreement.



Ledil Oy
Tehdaskatu 13
FIN-24100 SALO
Finland

DRAWING TITLE

Datasheet Cute-3-W Lens

| | | | | | | | |
|-------------------|--|--------------------|--|-------------------------|------------|--|------------|
| DRAWN BY pv | | DATE 21.01.2009 | | DRAWING NUMBER 10429 | | | REV 0.1 |
| CHECKED BY tk | | DATE 10.12.2008 | | | | | SIZE A4 |
| DESIGNED BY hh | | DATE 10.12.2008 | | SCALE 2:1 | WEIGHT (g) | | |

D

C

B

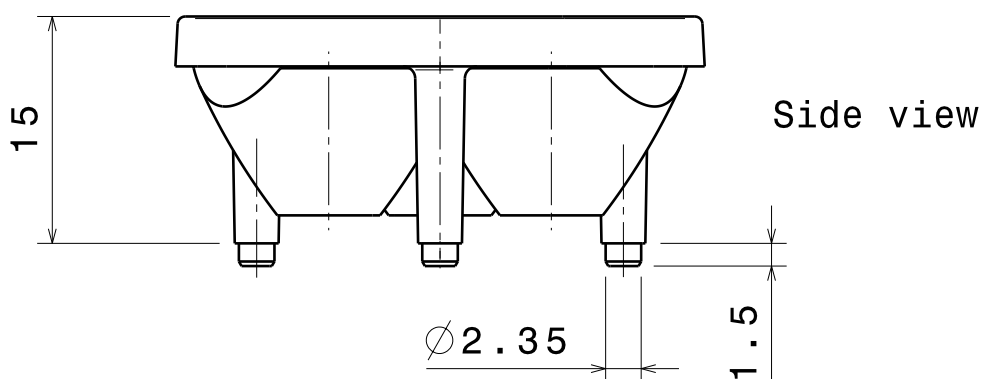
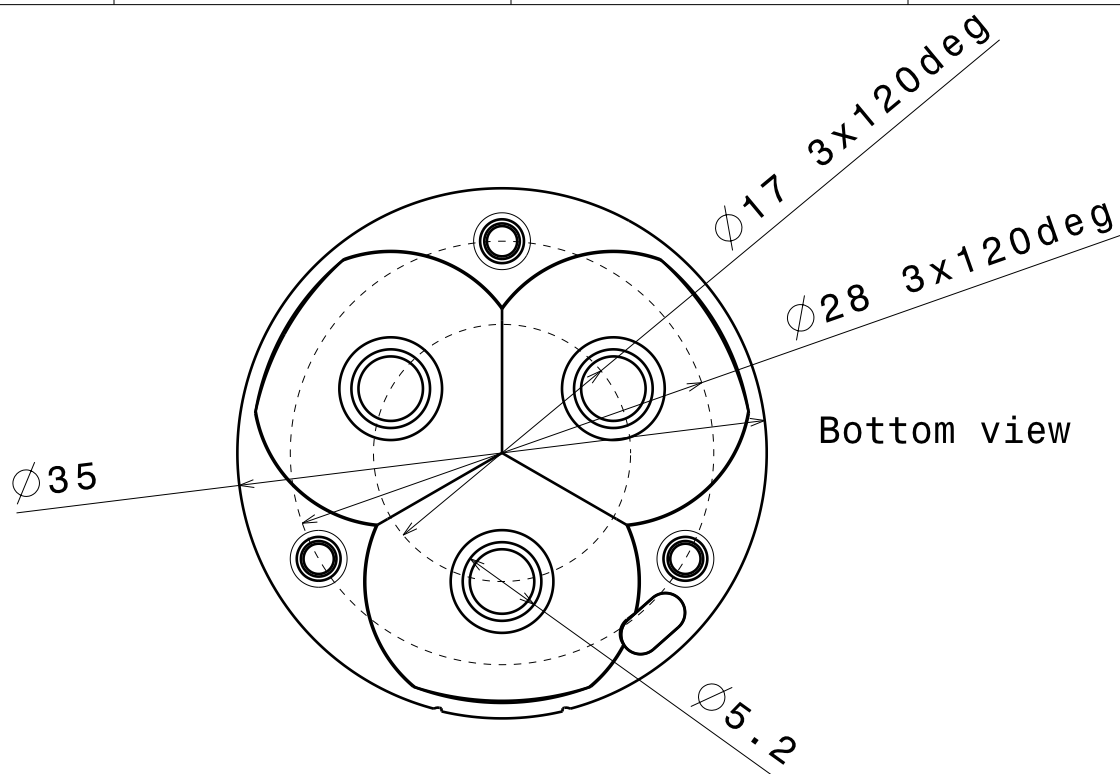
A

4

3

2

1



Material: PMMA

This drawing is our property.
It can't be reproduced
or communicated without
our written agreement.

LEDIL

Ledil Oy
Tehdaskatu 13
FIN-24100 SALO
Finland

DRAWING TITLE

Datasheet Cute3-0-Plus-SS Lens

DRAWN BY

pv

DATE

08.09.2008

CHECKED BY

TK

DATE

29.08.2008

SIZE

A4

DRAWING NUMBER

10710

REV

0.1

DESIGNED BY

HH

DATE

29.08.2008

SCALE

2:1

WEIGHT (g)

SHEET

1/1

D

A

D

C

B

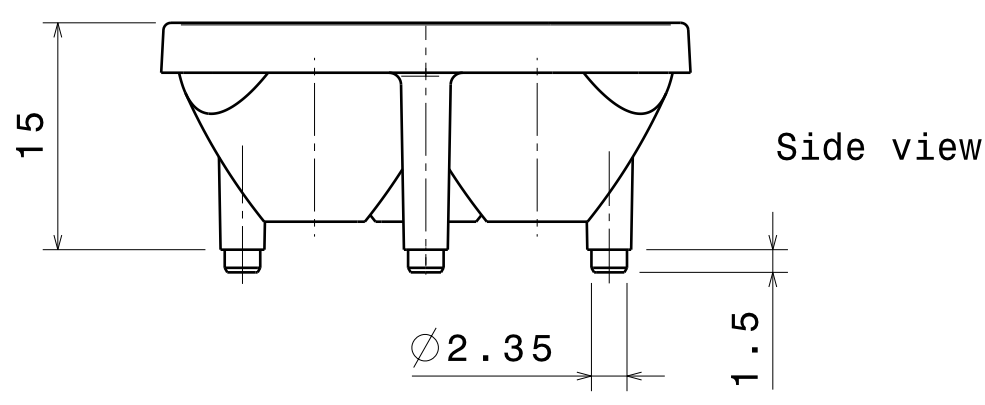
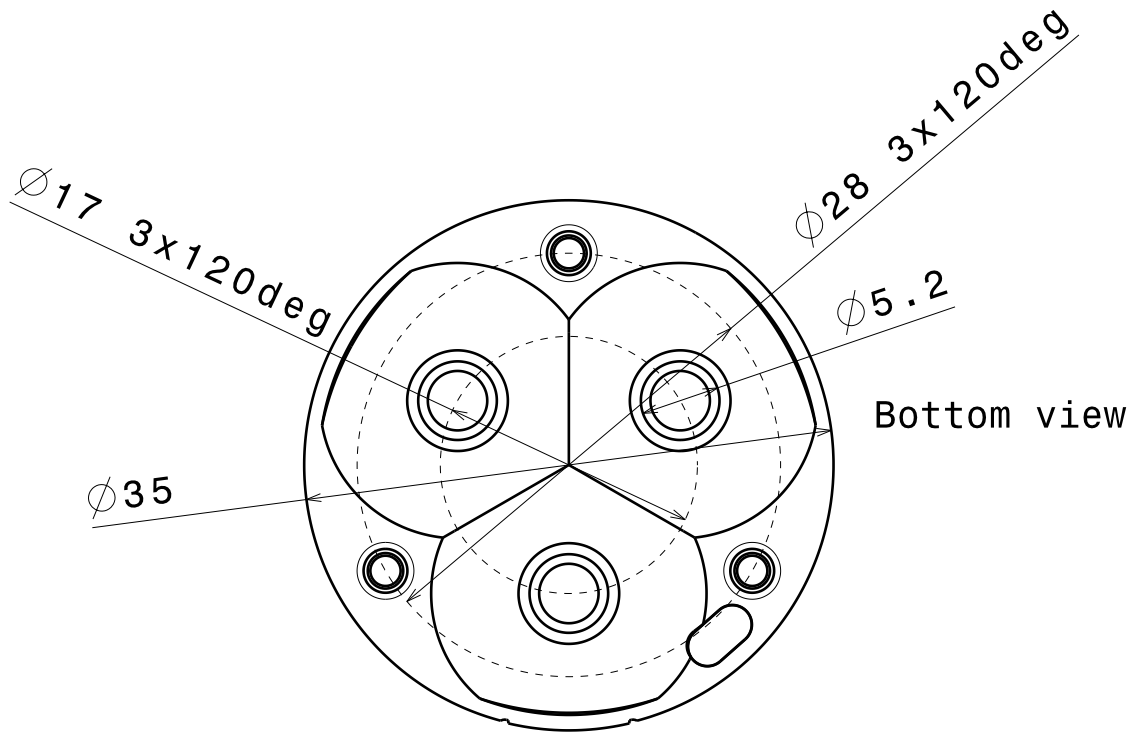
A

4

3

2

1



Material: PMMA

This drawing is our property.
It can't be reproduced
or communicated without
our written agreement.



Ledil Oy
Tehdaskatu 13
FIN-24100 SALO
Finland

DRAWING TITLE

Datasheet Cute3-0-Plus-M Lens

DRAWN BY
pv
DATE
08.09.2008

CHECKED BY
TK
DATE
29.08.2008

DESIGNED BY
HH
DATE
29.08.2008

SIZE
A4
DRAWING NUMBER
10711
REV
0.1

SCALE
2:1
WEIGHT (g)
SHEET
1/1

D

A

1

D

C

B

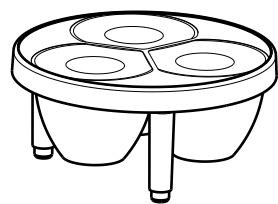
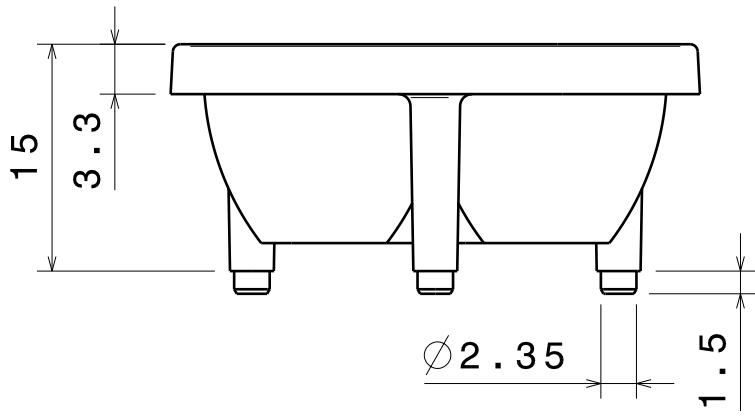
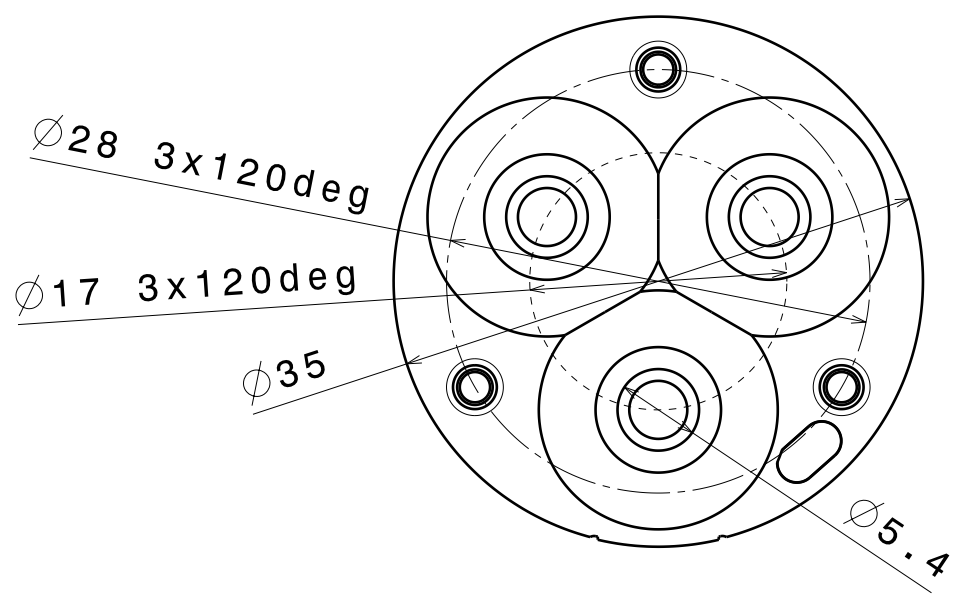
A

4

3

2

1



Scale: 1:1

Material: PMMA

This drawing is our property. It can't be reproduced or communicated without our written agreement.



Ledil Oy
Tehdaskatu 13
FIN-24100 SALO
Finland

DRAWING TITLE
Datasheet Cute3-0-Plus-W Lens

| | |
|-------------------|--------------------|
| DRAWN BY pv | DATE 19.11.2008 |
| CHECKED BY TK | DATE 13.11.2008 |
| DESIGNED BY HH | DATE 13.11.2008 |

| | | |
|--------------|-------------------------|--------------|
| SIZE A4 | DRAWING NUMBER 10712 | REV 0.1 |
| SCALE 2:1 | WEIGHT (g) | SHEET 1/1 |

D

A

1

D

C

B

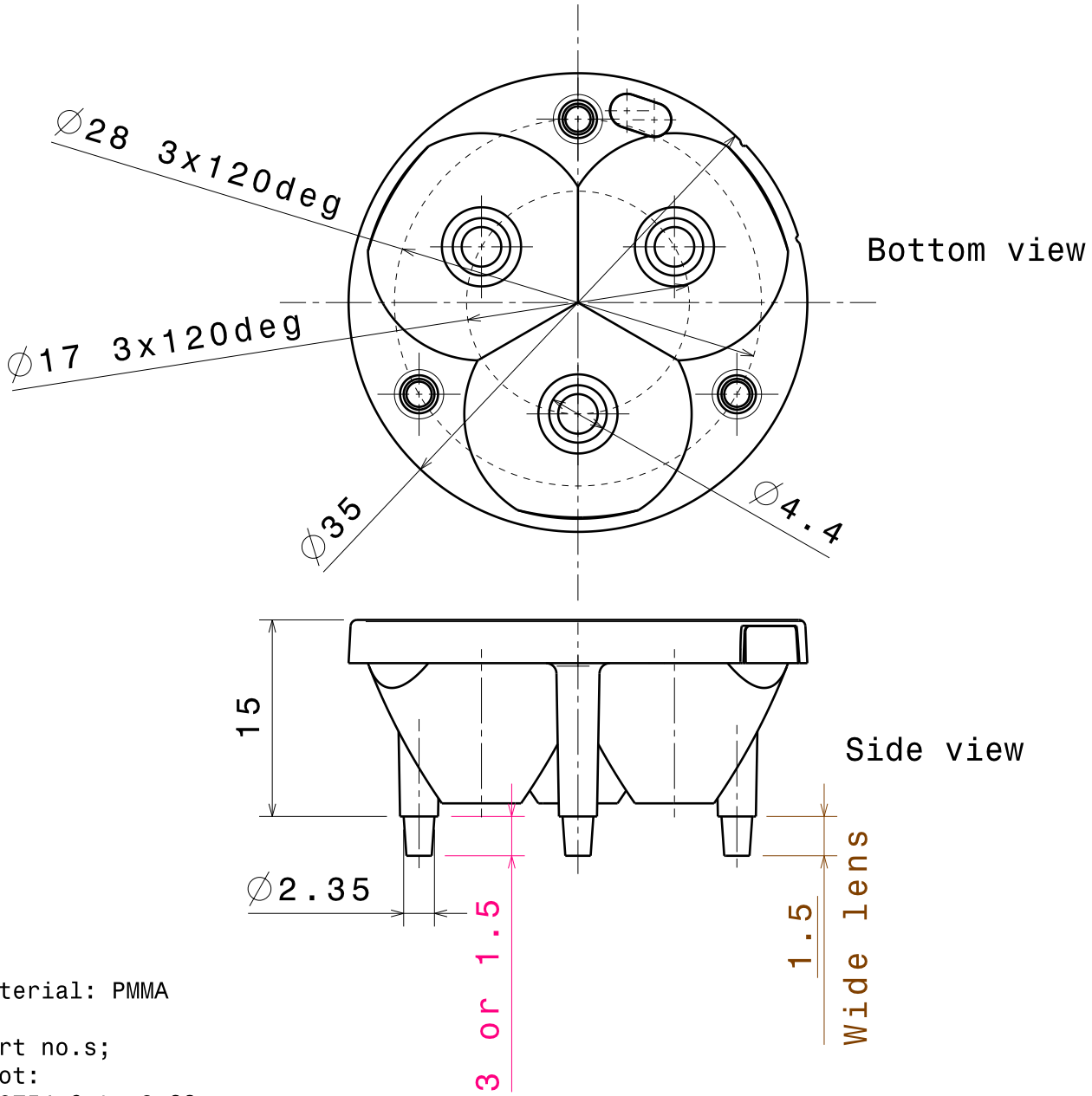
A

4

3

2

1



This drawing is our property.
It can't be reproduced
or communicated without
our written agreement.



Ledil Oy
Tehdaskatu 13
FIN-24100 SALO
Finland

DRAWING TITLE

Datasheet Cute-3 Lens Series

| | | | | |
|--------------------------|---------------------------|--|-----------------------|------------------|
| DRAWN BY pv | DATE 08.02.2010 | DRAWING TITLE Datasheet Cute-3 Lens Series | | |
| CHECKED BY TK | DATE 09.09.2008 | SIZE A4 | DRAWING NUMBER | REV 1 |
| DESIGNED BY HH | DATE 09.09.2008 | SCALE 2:1 | WEIGHT (g) | SHEET 1/1 |

D

A

1

X-ON Electronics

Largest Supplier of Electrical and Electronic Components

Click to view similar products for [LED Lenses](#) category:

Click to view products by [Ledil](#) manufacturer:

Other Similar products are found below :

[131A-303G](#) [131A-304R](#) [139A-403R](#) [139A-403A](#) [160A-604R](#) [160A-604Y](#) [SMB_200_GTP](#) [SMQ_250_ATP](#) [SMS_172_RTP](#) [SQB_400_ATP](#)
[SSN-LX13049L-CD](#) [SSN-LX18754A](#) [SSN-LX18754C](#) [2817](#) [CLR_301_YTP](#) [CMC_313_ATP](#) [3121](#) [3124](#) [3125](#) [39-30-W03](#) [4344](#) [4623](#)
[4745](#) [4747](#) [3111](#) [3114](#) [3115](#) [3121](#) [3122](#) [3124](#) [3125](#) [4327](#) [4743](#) [4745](#) [4752](#) [4757](#) [SSN-LX690L1-C](#) [SQL_360_YTP](#) [SMQ_250_BTP](#) [3114](#)
[3113](#) [CMS444CTP](#) [1125-227-000](#) [4317](#) [4347](#) [4741](#) [4316](#) [4343](#) [4345](#) [4345](#)