



Ordering number	CN12367		
Description	CN12367_LENA-FRESNELL		
Family	Lena	FWHM	8 degrees
Type	Reflector	Efficiency	-
LED	CL-L340	cd/Im	28.000
Color	Black	Gerber File	Available
Diameter	111 mm		
Height	89 mm		
Style	Round		
Optic Material	PC		
Holder Material	PC		
Fastening	Socket, screw		
Status	Ready		



Ordering number	CA12101		
Description	CA12101_Lena-S-CL340		
Family	Lena	FWHM	11 degrees
Type	Reflector	Efficiency	-
LED	CL-L340	cd/Im	-
Color	Metal	Gerber File	Available
Diameter	111 mm		
Height	86.1 mm		
Style	Round		
Optic Material	PC		
Holder Material	PC		
Fastening	Screw		
Status	Ready		



Ordering number	CA12161		
Description	CA12161_Lena-M-CL340		
Family	Lena	FWHM	18 degrees
Type	Reflector	Efficiency	-
LED	CL-L340	cd/Im	-
Color	Metal	Gerber File	Available
Diameter	111 mm		
Height	86.1 mm		
Style	Round		
Optic Material	PC		
Holder Material	PC		
Fastening	Screw		
Status	Ready		



Ordering number	CA12166		
Description	CA12166_Lena-M-Diffuser-Lens-CL340		
Family	Lena	FWHM	20 degrees
Type	Reflector	Efficiency	-
LED	CL-L340	cd/Im	-
Color	Metal	Gerber File	Available
Diameter	111 mm		
Height	87.7 mm		
Style	Round		
Optic Material	PC		
Holder Material	PC		
Fastening	Screw		
Status	Ready		



Ordering number	CA12102		
Description	CA12102_Lena-W-CL340		
Family	Lena	FWHM	42 degrees
Type	Reflector	Efficiency	-
LED	CL-L340	cd/lm	-
Color	Metal	Gerber File	Available
Diameter	111 mm		
Height	86.1 mm		
Style	Round		
Optic Material	PC		
Holder Material	PC		
Fastening	Screw		
Status	Ready		

Ordering number	CA12112		
Description	CA12112_Lena-S-Diffuser-Lens-CL340		
Family	Lena	FWHM	12 degrees
Type	Reflector	Efficiency	-
LED	CL-L340	cd/lm	-
Color	Metal	Gerber File	Available
Diameter	111 mm		
Height	87.7 mm		
Style	Round		
Optic Material	PC		
Holder Material	PC		
Fastening	Screw		
Status	Ready		

Ordering number	CA12113		
Description	CA12113_Lena-W-Diffuser-Lens-CL340		
Family	Lena	FWHM	43 degrees
Type	Reflector	Efficiency	-
LED	CL-L340	cd/lm	-
Color	Metal	Gerber File	Available
Diameter	111 mm		
Height	87.7 mm		
Style	Round		
Optic Material	PC		
Holder Material	PC		
Fastening	Screw		
Status	Ready		

NOTE: The typical divergence will be changed by different color, chip size and chip position tolerance. The typical total divergence is the full angle measured where the luminous intensity is half of the peak value.



PRODUCT DATASHEET Lena-L340 series

CITIZEN

GENERAL INFORMATION

- Product series especially designed & optimized for CL-L340 series of LEDs.
- Special care taken to make light distribution as uniform as possible.
- Lens material optical grade PC with high UV and temperature resistance (120 degrees of Celcius / 248 degrees of Fahrenheit). Allows use of high current and temperature conditions.

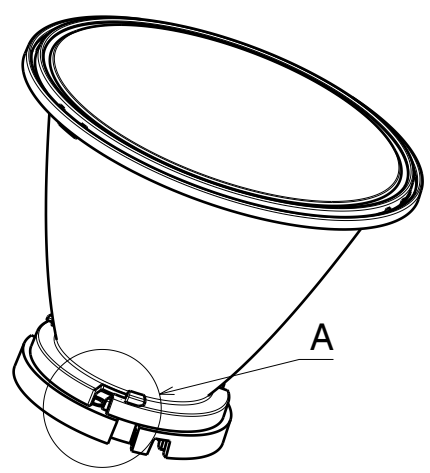
Please find more information about used materials from below:

http://ledil.fi/sites/default/files/Documents/Technical/Material/PC%20Makrolon%202400_2407_2456_2458-UL.pdf

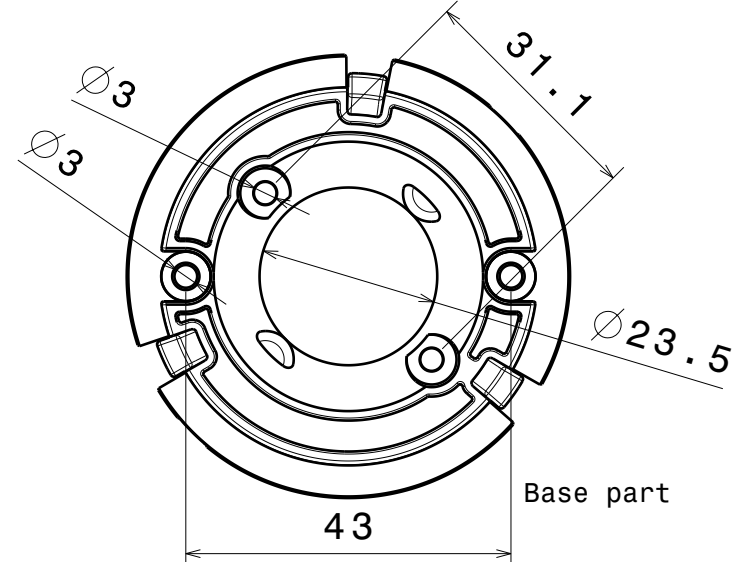
- Reflector is made of aluminium coated PC (120 degrees of Celcius / 248 degrees of Fahrenheit) with protective lacquer (110 degrees of Celcius / 230 degrees of Fahrenheit).
- Optic holder molded by high quality PC material (120 dergees of Celcius / 248 degrees of Fahrenheit).

D C B A

4

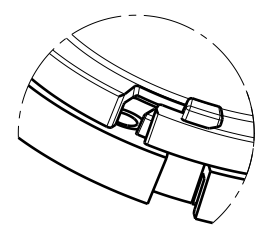


Isometric view



Base part

3

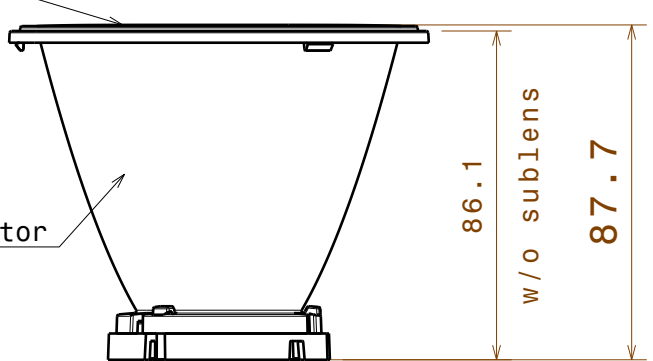


Detail A
Scale: 1:1

Lena sublens

Lena_reflector

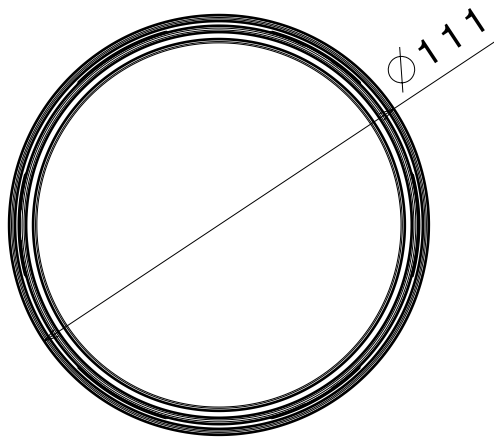
Lena-STD-base CL340



2

Material:

- subLens
 - PMMA
- Reflector
 - PC
 - Metal coating and clear lacquer
- Holder base
 - PC
 - Color white



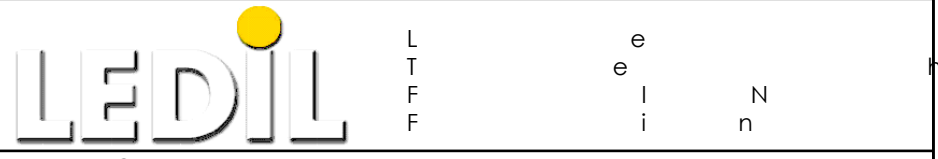
4

3

2

1

This drawing is our property. It can't be reproduced or communicated without our written agreement.



DRAWING TITLE

Datasheet Lena-CL340 series Assy

DRAWN BY p	DATE 26.05.2011	DRAWING NUMBER			REV 1
CHECKED BY p	DATE 26.05.2011	SIZE A4	DRAWING NUMBER		REV 1
DESIGNED BY pl	DATE 11.02.2011	SCALE 1:2	WEIGHT (g)	SHEET 1/1	

D A

X-ON Electronics

Largest Supplier of Electrical and Electronic Components

Click to view similar products for [ledil](#) manufacturer:

Other Similar products are found below :

[FCN10804_LR1-RS](#) [C12084_BROOKE-SCR-W](#) [FP11851_LISA2-O-90-PIN](#) [FA10679_CMC-RS](#) [C12449_STRADA-T-6X1-DWC](#)
[CA10931_BOOM-W](#) [CA11264_HEIDI-D](#) [CA11426_STRADA-T-DW](#) [CN12646_LENINA-W](#) [CN12644_LENINA-S](#) [CS14840_HB-2X2MX-](#)
[M](#) [C16156_STRADELLA-16-HB-O](#) [F14533_ANGELETTE-M](#) [C17171_DAISSY-8X1-SHD-MATT](#) [FN17294_VIOLET-12X1-S](#)
[FA11207_TINA-W](#) [C13085_MIRELLA-50-S-PF](#) [C17341_DAISSY-4X1-WW-US-D](#) [C14275_SHELLY-T-6X1-N](#) [C14346_ANGELETTE-](#)
[WAS](#) [CA13013_SIRI-DOME](#) [C13032_BARBARA-WW](#) [C12608_VIRPI-M](#) [CP16106_CARMEN-50-RS-C](#) [FS15626_FLORENCE-3R-IP-](#)
[Z90](#) [FP15897_HB-2X2MXS-WWW](#) [CN15529_GABRIELLA-45-S](#) [FCP13895_SEANNA-A](#) [CA14219_STRADA-SQ-CY](#) [CP12413_LOS-D](#)
[FA10661"LXP-RS](#) [CP16107_CARMEN-50-S-C](#) [C17172_DAISSY-8X1-SHD-MATT-WHT](#) [FP10997_LISA2-WW-PIN](#) [CA11267_HEIDI-O-](#)
[90](#) [CP13069_IRENE-IR-4](#) [CA12878_MIRA-M](#) [CP10944_RGBX-M](#) [C15028_FLORENTINA-4X1-SHD](#) [CP15215_CARMEN-M-B](#)
[FCP15347_FLORENTINA-4X1-O](#) [CA16435_LXP2-SS-WAS](#) [F13402_ANGELINA-W](#) [F13838_ANGELINA-XW](#) [C13333_MIRELLA-CL](#)
[CP12090_VENLA-S-IRIS](#) [C11710_ANNA-40-3-S](#) [F13659_ANGELINA-S-B](#) [C12154_LENA-M](#) [FCN13741_GERI-RZ](#)