



**Description**

A 6 figure, non-reset counter. Metal/plastic frame assembly assures ruggedness while one piece cover discourages tampering. Precision molded internal gearing requires no lubrication for long, accurate count life. Applications include warranty verification, electronic game counting, coin box tallies, or wherever small size, highly visible numerals, and solid construction are critical.

**Features**

- Small size
- Highly visible numerals
- Solid construction

**Options**

- Voltages
- 7 figure
- Lead length
- Special connectors
- Extended temperature range
- Count x 2

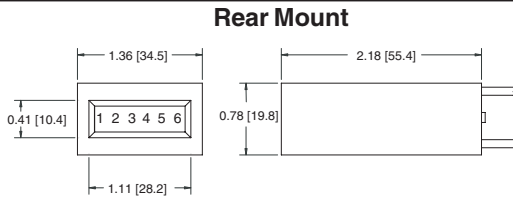
**Specifications**

**Figures:** 6 figures, white on black, 0.18" [4.6mm] high  
**Reset:** None  
**Speed:** 600 counts/minute  
 (min. 50ms - on, 50ms - off)  
**Voltages:** 115VAC, 24VDC  
 (+/- 10%, but not to exceed 10 volts)  
**Power:** 1.5 watts (nominal)

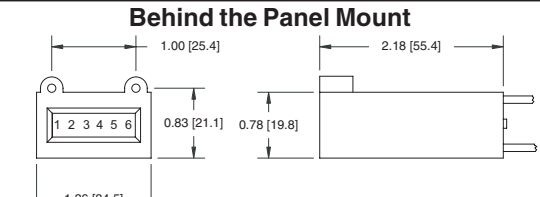
**Mounting:** Rear, behind the panel, base, or combination  
**Terminations:** (2) #22 AWG 221°F [105°C] wire leads, 10" [254mm] long  
**Operating Life:** Beyond 3 million counts  
**Temp. Range:** +23°F to +104°F [-5°C to +40°C]  
**Approvals:** UL Recognized, CE Compliant  
**Weight:** 2.5 oz. [71g]

Models	Description	Models	Description
2-4416	115VAC, 6 figure, rear mount	V2-4416	115VAC, 6 figure, base mount
8-4416	24VDC, 6 figure, rear mount	V8-4416	24VDC, 6 figure, base mount
R2-4416	115VAC, 6 figure, behind the panel mount	RV2-4416	115VAC, 6 figure, combination mount
R8-4416	24VDC, 6 figure, behind the panel mount	RV8-4416	24VDC, 6 figure, combination mount

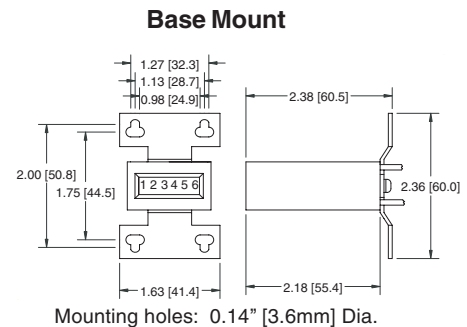
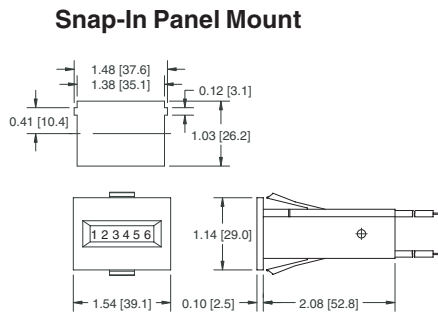
**Dimensions**



Mounting hole: For M3 screw



Mounting holes: For M3 self tapping screw



Mounting holes: 0.14" [3.6mm] Dia.

**Applications**

Warranty verification



Coin box tallies



Electronic game counting



## **X-ON Electronics**

Largest Supplier of Electrical and Electronic Components

*Click to view similar products for [redington manufacturer](#):*

Other Similar products are found below :

[9415-003](#) [6320-0500-0000](#) [711-0020](#) [6300-1000-0000](#) [711-0180](#) [3400-0010](#) [P8-4904](#) [3410-3000](#) [720-6300](#) [3400-2010](#) [3400-1000](#) [1-4635](#)  
[P8-4906](#) [2-1006](#) [P2-4906](#) [6301-2000-0000](#) [6300-2500-0000](#) [6300-0500-0000](#) [3410-1000](#) [6320-2000-0000](#) [6300-1500-0000](#) [711-0160](#) [6320-2500-0000](#) [722-0003](#) [3410-0000](#) [6300-0000-0000](#) [5003-011](#) [3410-2000](#) [722-0001](#)