

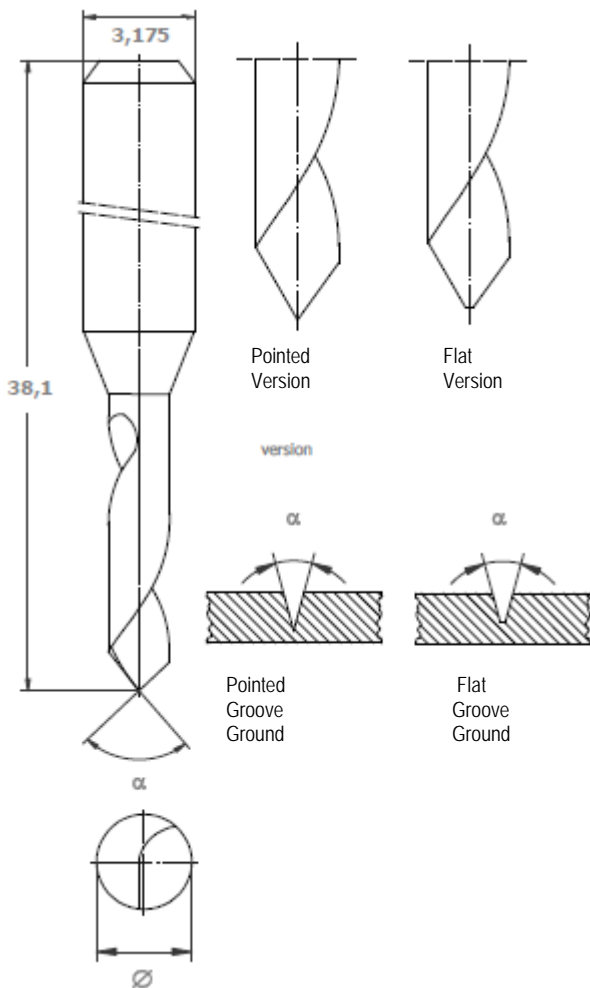
Mega Part Numbers
13-111050
Hawera 846 Carbide Router 2.00mm



V-groove cutter made of carbide with one spiral twisted cut.

Applications:

- chamfering of circuit boards
- routing of dielectric spacing
- scribing of break-out edges



\varnothing mm	α 30°	α 60°
2.00	x	
2.40		x



Mega Electronics Limited

Mega House, Grip Industrial Estate, Linton, Cambridge, CB21 4XN
 Tel: +44 (0) 1223 893900 Fax: +44 (0) 1223 893894
 email: sales@megauk.com web: www.megauk.com

X-ON Electronics

Largest Supplier of Electrical and Electronic Components

Click to view similar products for [mega manufacturer](#):

Other Similar products are found below :

[24590](#) [24565](#) [24550](#) [24250](#) [24263](#) [3204984](#) [24240](#) [24232](#)