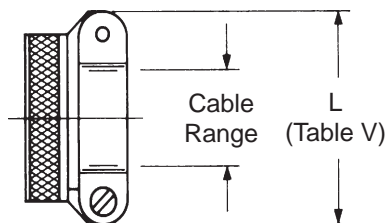
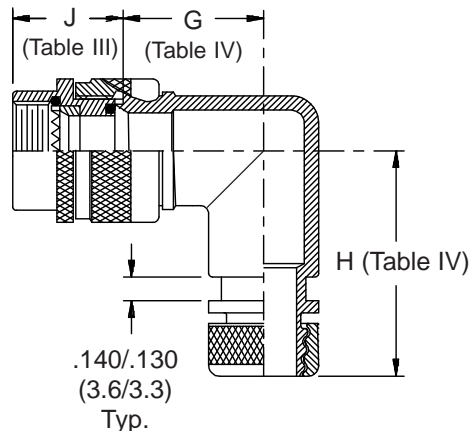
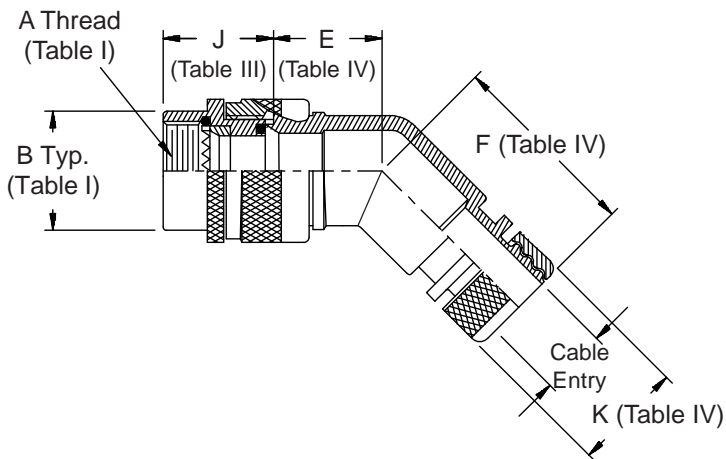
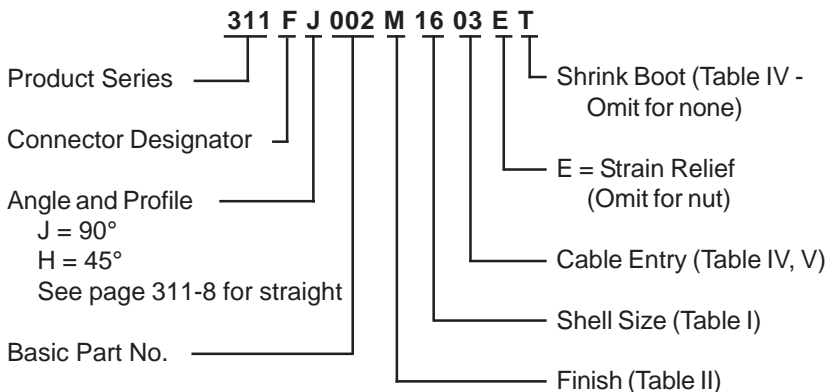


**CONNECTOR
 DESIGNATORS**
A-B*-C-D-E-F
G-H-J-K-L-S

* Conn. Desig. B See Note 4

**DIRECT
 COUPLING**



**STYLE E
 STRAIN RELIEF**

311-002
Lamp-Base Thread EMI/RFI Shrink Boot Adapter
with Strain Relief and Optional Shrink Boot
Direct Coupling - Standard Profile



See inside back cover fold-out
 or pages 13 and 14
 for unabridged Tables I and II.

1. Cable Entry or range is defined as the accommodation range for the wire bundle or cable. Dimensions shown are not intended for inspection criteria.
2. See Shrink Boot Reference Information (page 40).
3. Metric dimensions (mm) are indicated in parentheses.
4. When using Connector Designator B refer to pages 18 and 19 for part number development.

TABLE III: FRONT ADAPTER

Shell Size	J Max - Conn. Designator		
	A-E-F		
	J-H-L-S	D-B-G-K	C
08/09	1.180 (30.0)	1.250 (31.8)	
10/11	1.180 (30.0)	1.250 (31.8)	
12/13	1.180 (30.0)	1.250 (31.8)	1.735 (44.1)
14/15	1.180 (30.0)	1.250 (31.8)	1.915 (48.6)
16/17	1.380 (35.0)	1.560 (39.6)	1.915 (48.6)
18/19	1.380 (35.0)	1.560 (39.6)	1.915 (48.6)
20/21	1.380 (35.0)	1.560 (39.6)	1.915 (48.6)
22/23	1.380 (35.0)	1.560 (39.6)	1.915 (48.6)
24/25	1.380 (35.0)	1.560 (39.6)	1.915 (48.6)
28/29	1.610 (40.9)	1.560 (39.6)	1.915 (48.6)
32/33	1.610 (40.9)	1.750 (44.5)	1.915 (48.6)
36	1.610 (40.9)	1.750 (44.5)	1.915 (48.6)
40	1.610 (40.9)	2.190 (55.6)	1.915 (48.6)

TABLE IV: CABLE ENTRY/DIMENSIONS/SHRINK BOOT

Dash No.	E Max	F Max	G Max	H Max	K Max	Cable Entry Max	Shrink Boot
01	.639 (16.2)	1.078 (27.4)	.750 (19.1)	1.188 (30.2)	.448 (11.4)	.125 (3.2)	n/a
02	.664 (16.9)	1.108 (28.1)	.810 (20.6)	1.248 (31.7)	.515 (13.1)	.250 (6.4)	770-001S103
03	.688 (17.5)	1.128 (28.7)	.870 (22.1)	1.308 (33.2)	.640 (16.3)	.375 (9.5)	770-001S103
04	.705 (17.9)	1.158 (29.4)	.920 (23.4)	1.378 (35.0)	.765 (19.4)	.500 (12.7)	770-001S104
05	.732 (18.6)	1.178 (29.9)	.980 (24.9)	1.438 (36.5)	.920 (23.4)	.625 (15.9)	770-001S104
06	.773 (19.6)	1.208 (30.7)	1.080 (27.4)	1.518 (38.6)	1.015 (25.8)	.750 (19.1)	770-001S105
07	.800 (20.3)	1.248 (31.7)	1.140 (29.0)	1.598 (40.6)	1.140 (29.0)	.875 (22.2)	770-001S106
08	.823 (20.9)	1.278 (32.5)	1.200 (30.5)	1.668 (42.4)	1.265 (32.1)	1.000 (25.4)	770-001S106
09	.823 (20.9)	1.278 (32.5)	1.200 (30.5)	1.668 (42.4)	1.432 (36.4)	1.125 (28.6)	770-001S107
10	1.041 (26.4)	1.448 (36.8)	1.480 (37.6)	1.908 (48.5)	1.515 (38.5)	1.250 (31.8)	770-001S107
11	1.041 (26.4)	1.448 (36.8)	1.480 (37.6)	1.908 (48.5)	1.640 (41.7)	1.375 (34.9)	770-001S108
12	1.092 (27.7)	1.488 (37.8)	1.610 (40.9)	1.998 (50.7)	1.765 (44.8)	1.500 (38.1)	770-001S108
13	1.136 (28.9)	1.538 (39.1)	1.720 (43.7)	2.108 (53.5)	2.015 (51.2)	1.750 (44.5)	770-001S108

TABLE II - STANDARD FINISHES

GLENAIR SYMBOL FINISH	
B	Cadmium Plate, Olive Drab
M	Electroless Nickel
NF	Cadmium Plate, Olive Drab Over Electroless Nickel
See Inside Back Cover for Complete Finish Information and Additional Finish Options	

TABLE V: CABLE ENTRY/DIMENSIONS

Dash No.	L Max	Cable Range	
		Min	Max
02	.968 (24.6)	.125 (3.2)	.250 (6.4)
03	1.046 (26.6)	.250 (6.4)	.375 (9.5)
04	1.156 (29.4)	.312 (7.9)	.500 (12.7)
05	1.219 (31.0)	.437 (11.1)	.625 (15.9)
06	1.343 (34.1)	.562 (14.3)	.750 (19.1)
07	1.469 (37.3)	.687 (17.4)	.875 (22.2)
08	1.594 (40.5)	.812 (20.6)	1.000 (25.4)
09	1.719 (43.7)	.937 (23.8)	1.125 (28.6)
10	1.844 (46.8)	1.062 (27.0)	1.250 (31.8)

X-ON Electronics

Largest Supplier of Electrical and Electronic Components

Click to view similar products for [Heat Shrink Cable Boots & End Caps](#) category:

Click to view products by [Glenair](#) manufacturer:

Other Similar products are found below :

[577159N001](#) [007758-000](#) [610368N003](#) [645494-000](#) [M85049/141-02HU](#) [M85049/141-03HU](#) [M85049/141-04HU](#) [687025-000](#) [705331-000](#)
[718446-000](#) [725666N001](#) [729257-000](#) [F21914-000](#) [F27131-000](#) [F85868-000](#) [770-006A103R](#) [770-006A304W1](#) [770-006A305W1](#) [770-](#)
[006A308W1](#) [770-011T303W1](#) [770-011T304W1](#) [770-020S702W1](#) [770-020S704W1](#) [806138-000](#) [806542N001](#) [807507-000](#) [808059-000](#)
[808296-000](#) [808362-000](#) [808828-000](#) [809125-000](#) [809130-000](#) [809218-000](#) [811218-000](#) [811288-000](#) [812014-000](#) [812047-000](#) [813166-000](#)
[813767N002](#) [814417-000](#) [819115N001](#) [819117N001](#) [823026-000](#) [823070-000](#) [825002-000](#) [841189N001](#) [861471-000](#) [866647-000](#) [937577-](#)
[000](#) [950764-000](#)