

Type: **NHI-E-10-PKZO**

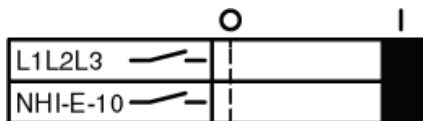
Article No.: **082884**



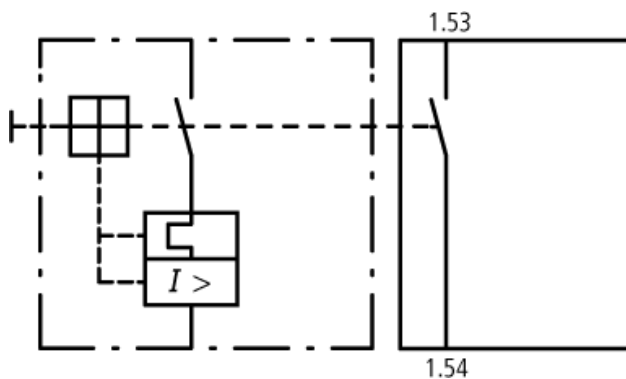
Ordering information

Contacts M = Make			1 M
Connection technique			Screw terminals
For use with			PKZM01 PKZM0 PKZM4 PKZM0-T PKM0

Contact diagram



Contact sequence

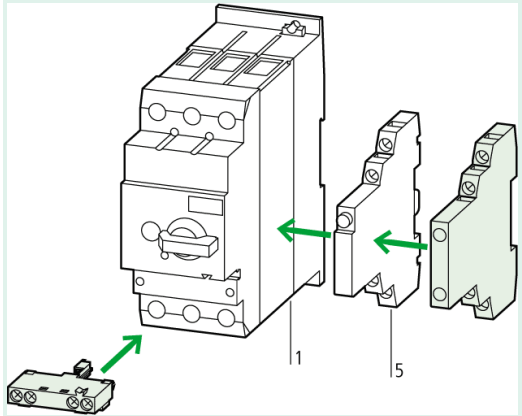
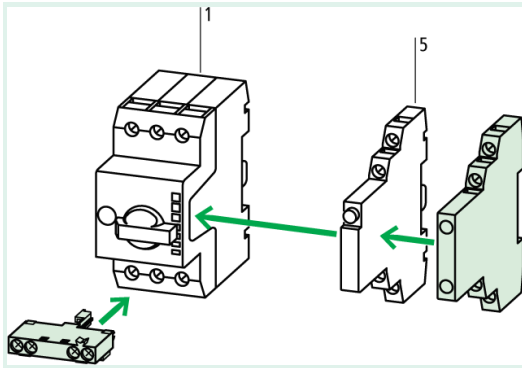


Note concerning the product

Can be fitted to motor-protective circuit-breakers, transformer-protective circuit-breakers, motor-protective circuit-breakers for starter combinations from Serial No. 01.

The 45 mm (PKZM0) or 55 mm (PKZM4) widths of the motor-protective circuit-breakers remain unchanged.

Notes concerning the product group



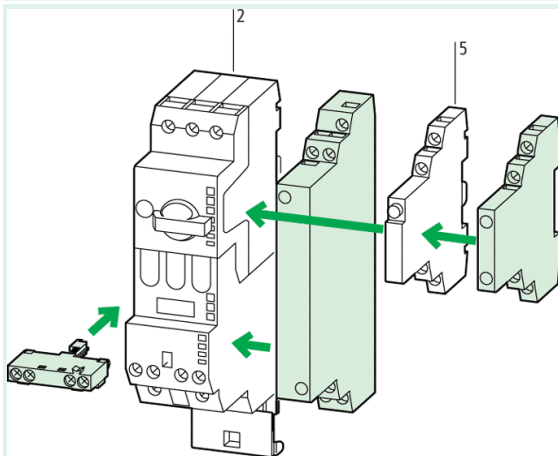
Accessories

1 Motor-protective circuit-breaker

5 Trip-indicating auxiliary contact

Other accessories

Page



Accessories

2 Compact starter, high-capacity compact starter

5 Trip-indicating auxiliary contact

Other accessories

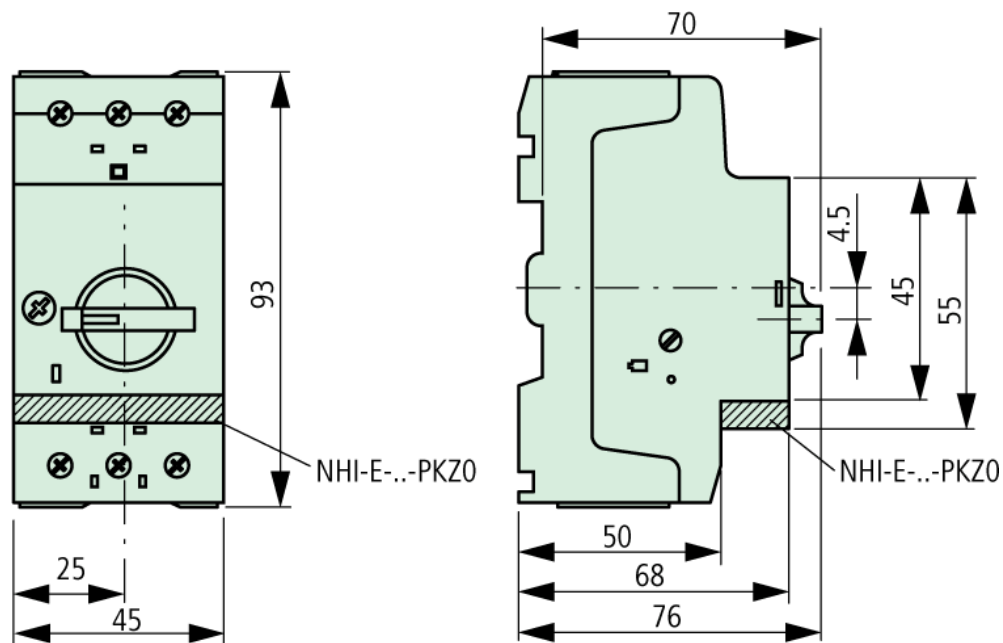
Page

Auxiliary contacts

Rated impulse withstand voltage	U_{imp}	V AC	4000
Overvoltage category/pollution degree			III/3

Rated operational voltage			
Rated operational voltage	U_e	V AC	400
	U_e	V DC	250
Safe isolation to VDE 0106 Part 101 and Part 101/A1			
Between auxiliary contacts and main contacts		V AC	690
Rated operational current			
AC-15			
220 – 240 V	I_e	A	1
DC-13 L/R f 100 ms			
60 V	I_e	A	1
110 V	I_e	A	0,5
Lifespan			
Lifespan, mechanical	Operations	$\times 10^6$	> 0,1
Lifespan, electrical	Operations	$\times 10^6$	0,1
Control circuit reliability (at $U_e = 24$ V DC, $U_{min} = 17$ V, $I_{min} = 5.4$ mA)	Failure rate	»	$< 10^{-8} < 1$ failure at 1×10^8 operations
Short-circuit rating without welding			
Fuse		A gG/gL	10
Terminal capacities			
Solid or flexible conductor with ferrule		mm ²	0.75 – 1.5
Solid or stranded		AWG	18 – 16
Dimensions			
			PKZM0-...(+NHI-E-...-PKZ0)

Dimensions



Moeller GmbH, Hein-Moeller-Str. 7-11, D-53115 Bonn
E-Mail: catalog@moeller.net, Internet: www.moeller.net, <http://catalog.moeller.net>
Copyright 2005 by Moeller GmbH. Subject to modifications. HPL-C2005GB-INT V3.0

X-ON Electronics

Largest Supplier of Electrical and Electronic Components

Click to view similar products for [Circuit Breaker Accessories](#) category:

Click to view products by [Eaton](#) manufacturer:

Other Similar products are found below :

[CSC-403PS](#) [8T1-D-11A](#) [B151-7184-L](#) [NEB10](#) [8C1-C-721](#) [8T1-E-115](#) [8T1-E-275](#) [8T1-E-278](#) [4-1393247-8](#) [4-1393247-9](#) [506-11315-001](#)
[3803221](#) [3803231](#) [NEB6](#) [X10506BF](#) [NES](#) [9-1393249-0](#) [802-ESB50UL489](#) [3RV2011-1CA15](#) [607.5689.127](#) [30.329](#) [CA707/TS/01](#)
[11-32-2733](#) [X10508BF](#) [X22261102](#) [975090700](#) [CX2.5/4/O](#) [975090701](#) [PS-2P](#) [Y30019003](#) [C-TEC1225 P](#) [PS-1006](#) [618.6335.069](#)
[975455700](#) [BAC03](#) [930727103](#) [934097101](#) [ZG20-1](#) [934097100](#) [JX2.5/4](#) [KEM380CUL](#) [CC848756916](#) [JX2.5/6](#) [JX2.5/5](#) [HSP6/10U](#)
[DMRBU BLACK BOX](#) [DB16/BU](#) [DB16/BL](#) [CM2.5S2](#) [973604100](#)