

A

B

C

D

A

B

C

D

PRODUCT NO. *92789-XXXX	STAND OFF DIM "M"(mm)	HDR SOLDER TAIL	HOLD DOWN	Q'TY	GUIDE ASSY 92791-XXXX	HDR ASSY 92140-XXXX	DIM "P" (mm)	HDR COLOR	SHEET NO.	MOUNT STYLE TO PCB
000	0	R/A	NONE		001	000	2.8	BLACK	NO.2	TOP MOUNT  92789-0XXX 
000H	0	R/A	93925-001	4	001H	000H	2.8	BLACK		
001	0	SMT STAGGERED	NONE		001	001	—#	BLACK		
001H	0	SMT STAGGERED	93925-001	4	001H	001H	—#	BLACK		
002	0	SMT IN LINE	NONE		001	002	—#	BLACK		
002H	0	SMT IN LINE	93925-001	4	001H	002H	—#	BLACK		
020	2 (NO LOCATOR)	R/A	NONE		021	040	2.5	BLACK	NO.3	
040	4	R/A	NONE		041	010	2.8	BLACK		
040H	4	R/A	93925-003	4	041H	010H	2.8	BLACK		
050	5	R/A	NONE		051	020	2.8	BLACK		
050H	5	R/A	93925-004	4	051H	020H	2.8	BLACK	NO.4	BOTTOM MOUNT  92789-5XXX 
500	0	R/A	NONE		001	500	2.8	NATURAL		
500H	0	R/A	93925-001	4	001H	500H	2.8	NATURAL		
501	0	SMT STAGGERED	NONE		001	501	—#	NATURAL		
501H	0	SMT STAGGERED	93925-001	4	001H	501H	—#	NATURAL		
502	0	SMT IN LINE	NONE		001	502	—#	NATURAL		
502H	0	SMT IN LINE	93925-001	4	001H	502H	—#	NATURAL	NO.5	
520	2 (NO LOCATOR)	R/A	NONE		021	540	2.5	NATURAL		
540	4	R/A	NONE		041	510	2.8	NATURAL		
550	5	R/A	NONE		051	520	2.8	NATURAL		
550H	5	R/A	93925-004	4	051	520H	2.8	NATURAL		

NOTE  
 ① OPTIONAL HOLD DOWN (-XXXH) CAN BE SELECTED FOR ONLY 0mm STAND OFF (-XXXH) VARIATION.  
 ② SMT STAGGERED & IN LINE (-XX1X & -XX2X) ARE ASSIGNED TO ONLY 0mm STAND OFF (-X0XX) VARIATION.

3. ASSY PROCESS  
 3.1 TO MOUNT PART ④, ON PWB WITH SCREW (S1,S2) AND SOLDER.  
 3.2 TO JOINT PART ④, INTO PART ④, THEN FIX PART ④ WITH 2 SCREWS (S3,S4).  
 ④ MATERIAL

4.1 PART ④, (HEADER ASSY)  
 HOUSING : HIGH TEMPERATURE THERMOPLASTIC UL94V-0  
 PIN : COPPER ALLOY  
 HOLD DOWN : COPPER ALLOY

4.2 PART ④, (GUIDE ASSY)  
 GUIDE : HIGH TEMPERATURE THERMOPLASTIC UL94V-0  
 PLATE : STAINLESS  
 EMI CONTACT : COPPER ALLOY  
 HOLD DOWN : COPPER ALLOY

⑤ FINISH  
 HDR PIN : \*0.5μm MIN. Ni OVER ALL UNDER PLATING  
 \*0.076μm MIN. Au MIN. AT CONTACT AREA  
 \*2.5μm MIN. Sn-Pb SOLDER TAIL  
 OR 2.5μm MIN. Sn (FOR -XXXXLF) SOLDER TAIL  
 EMI CONTACT : PRE-PLATING  
 \*0.5μm MIN. Ni OVER ALL UNDER PLATING  
 \*0.5μm MIN. Au CONTACT AREA.  
 HOLD DOWN : 2.5μm MIN. Sn OVER ALL.

6. DIM"L"

4.25±0.1	3.5±0.1	5.0±0.1
OTHERS	36.67	117.34 36.31.68

7. GENERAL TOLERANCE : ±0.3  
 8. SEE SHEET 1,2. REGARDING COMPONENTS.  
 9. THIS PRODUCT MEETS EUROPEAN UNION DIRECTIVES AND OTHER COUNTRY REGULATIONS AS DESCRIBED IN GS-22-008.  
 10. PRODUCT SPEC: 110-263

\* 92789-X X X X X X X X

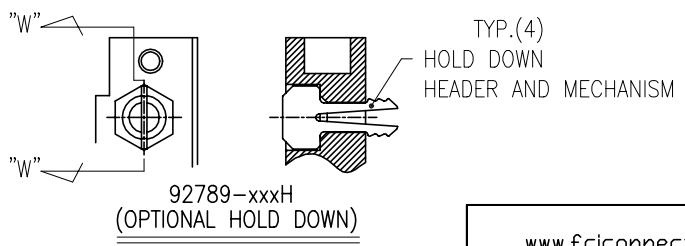
NOTE ①  
OPTIONAL LEAD FREE  
NONE : N  
LF : YES

NOTE ②  
OPTIONAL HOLD DOWN  
NONE : N  
H : YES(SEE FIGURE OF -XXXH)

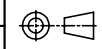
NOTE ③  
HDR SOLDER TAIL  
0 : R/A  
1 : SMT STAGGERED  
2 : SMT IN LINE

STAND OFF HEIGHT (DIM"M")  
0 : 0mm(NONE)  
2 : 2mm  
4 : 4mm  
5 : 5mm

MOUNT STYLE TO PCB  
0 : TOP MOUNT  
5 : BOTTOM MOUNT



rev	ecn no	dr	date
J	J05-0215	MH	4/11/05
K	N05-0128	WB J	05/19/05
L	N07-0114	CM	05/14/07
M	N09-0381	SH	11/30/09
N	ELX-N-011350	ZK	04/06/12

www.fciconnect.com		surface	tolerance std	projection	MM
		TOLERANCES UNLESS OTHERWISE SPECIFIED			Scale
Dr	M.Hasegawa 4/11/05	ANGULAR	0.X ± 0.3	size	ECN
Eng	M.Hasegawa 4/11/05	LINEAR	0.XX ± 0.15	Spec ref	
Chr		0' ± 2'	0.XXX ± 0.08		
Appr		Product family Header PCMCIA SANF			
FCI		title 68P LONG HEADER TYPE I / II / III (WITH EMI CLIP)		dwg no 92789 Rev. N	
catalog no		CUSTOMER DRAWING		sheet 1 of 7	



Copyright FCI.



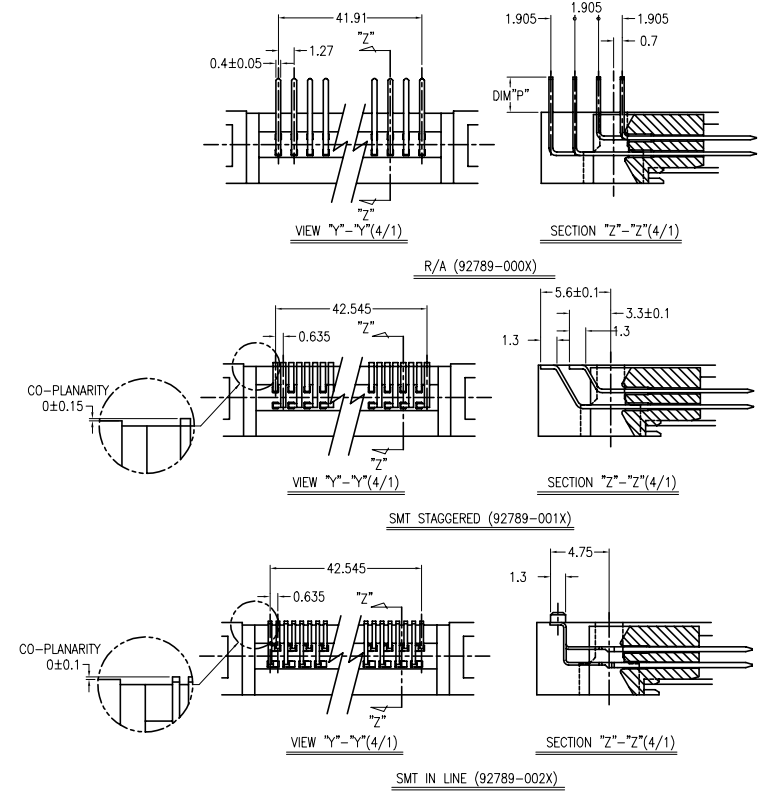
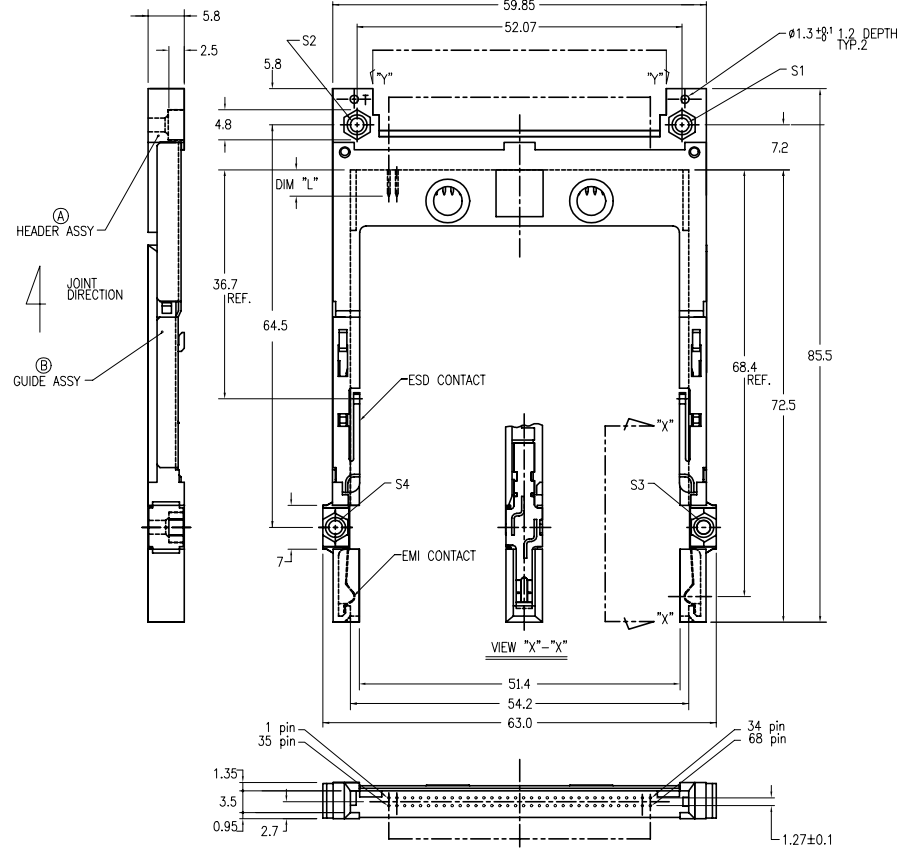
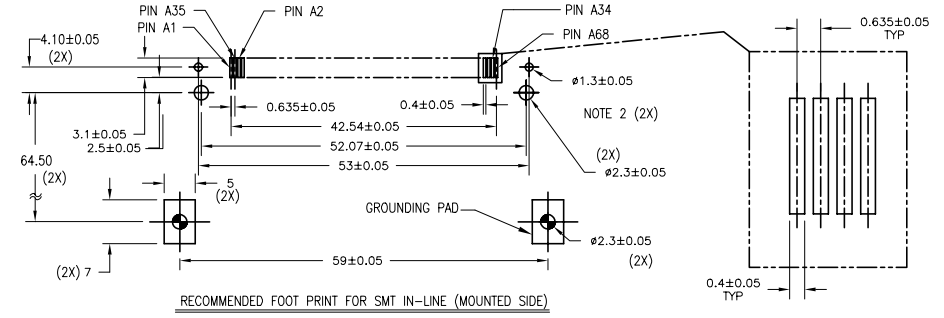
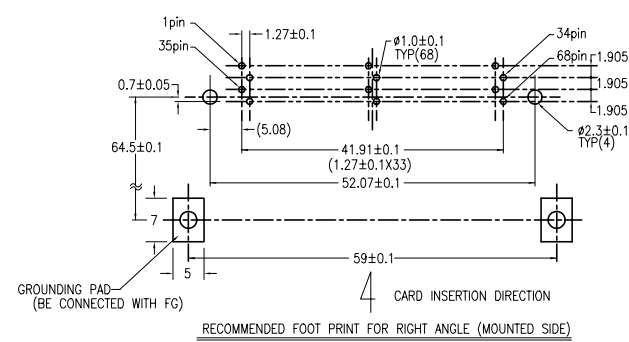
1

2

3

4

PRODUCT NO.
92789-000/000LF
92789-000H/000HLF
92789-001
92789-001H
92789-002/002LF
92789-002H



Copyright FCI

www.fciconnect.com		surface <input checked="" type="checkbox"/>	tolerance std	projection	MM
TOLERANCES UNLESS OTHERWISE SPECIFIED					
Dr	M.Hasegawa/11/05	ANGULAR	LINEAR	0.X ±	size
Eng	M.Hasegawa/11/05	0° ±		0.XX ±	Scale
Chr		0° ±		0.XXX ±	ECN
Appr		Product family		Header PCMCIA SANF	Spec ref
title		68P LONG HEADER TYPE I / II / III (WITH EMI CLIP)		dwg no	92789
catalog no		CUSTOMER DRAWING		Rev.	N
					sheet 3 of 7

rev	ecn no	dr	date
N			

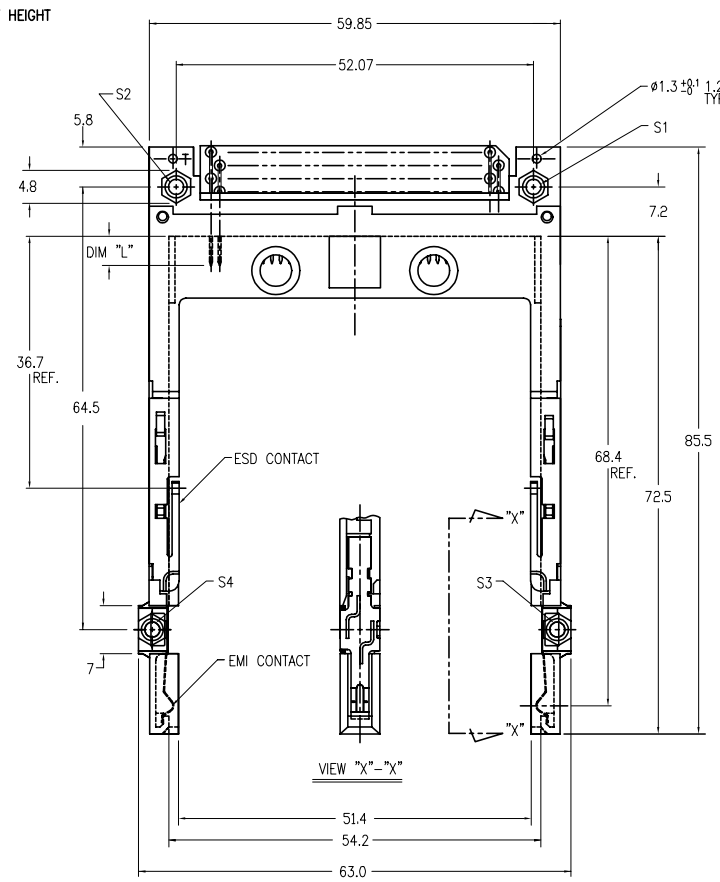
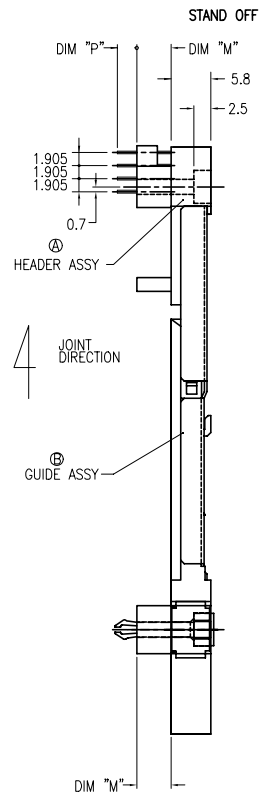
1

2

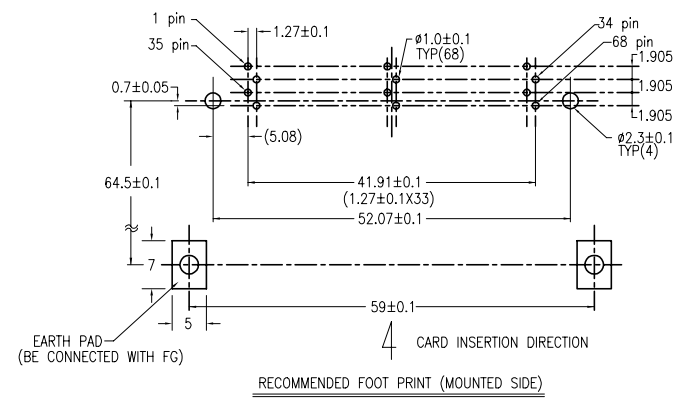
3

4

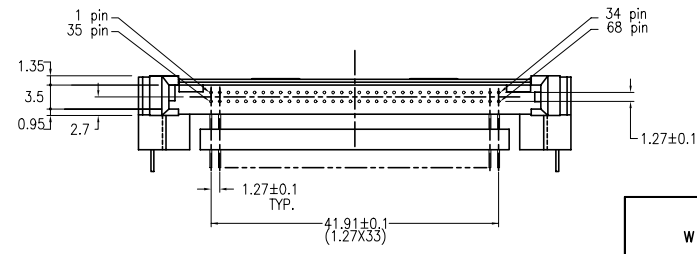
PRODUCT NO.
92789-020/020LF
92789-040/040LF
92789-040H/040HLF
92789-050/050LF
92789-050H/050HLF



VIEW "X"- "X"



RECOMMENDED FOOT PRINT (MOUNTED SIDE)



Copyright FCI.

rev	ecn no	dr	date
N			

www.fciconnect.com		surface	tolerance std	projection	MM
		TOLERANCES UNLESS OTHERWISE SPECIFIED			Scale
Dr	M.Hasegawa/11/05	ANGULAR	0.X ±	size	
Eng	M.Hasegawa/11/05	LINEAR	0.XX ±	ECN	
Chr		0* ±	0.XXX ±	Spec ref	
Appr		Product family Header PCMCIA SANF			
		title 68P LONG HEADER TYPE I / II / III (WITH EMI CLIP)		dwg no 92789	Rev. N
		catalog no CUSTOMER DRAWING		sheet 4 of 7	

3

PDS: Rev :N

STATUS:Released

Printed: Sep 12, 2013

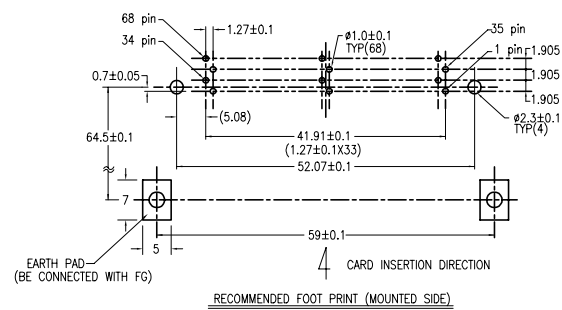
1

2

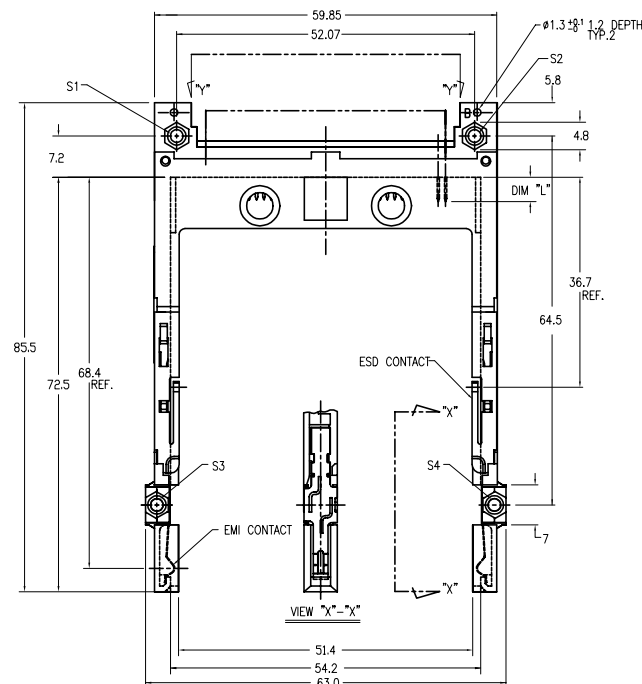
3

4

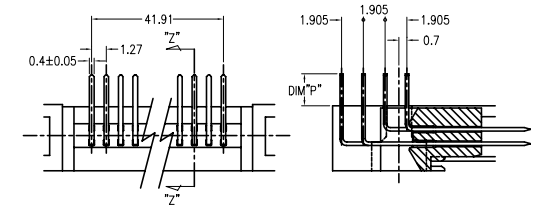
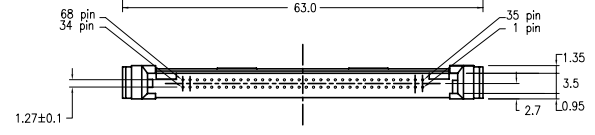
PRODUCT NO.
92789-500/500LF
92789-500H/500HLF
92789-501
92789-501H
92789-502
92789-502H



RECOMMENDED FOOT PRINT (MOUNTED SIDE)



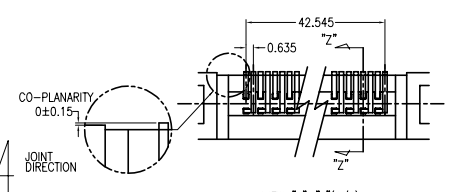
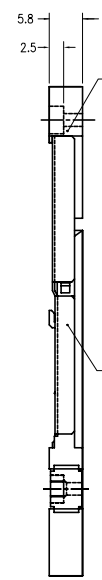
VIEW "X"- "X"



VIEW "Y"- "Y"(4/1)

SECTION "Z"- "Z"(4/1)

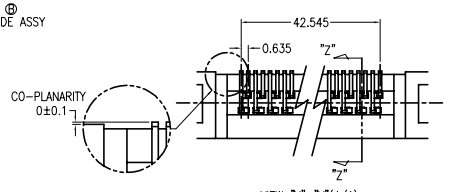
R/A (92789-500X)



VIEW "Y"- "Y"(4/1)

SECTION "Z"- "Z"(4/1)

SMT STAGGERED (92789-501X)



VIEW "Y"- "Y"(4/1)

SECTION "Z"- "Z"(4/1)

SMT IN LINE (92789-502X)



Copyright FCI

www.fciconnect.com		surface <input checked="" type="checkbox"/>	tolerance std	projection	MM
TOLERANCES UNLESS OTHERWISE SPECIFIED					
Dr	M.Hasegawa/11/05	ANGULAR	0.X ±	size	Scale
Eng	M.Hasegawa/11/05	LINEAR	0.XX ±	ECN	
Chr		0 ±	0.XXX ±	Spec ref	
Appr		Product family Header PCMCIA SANF			
title		68P LONG HEADER TYPE I / II / III (WITH EMI CLIP)		dwg no	92789
catalog no		CUSTOMER DRAWING		Rev.	N
				sheet 5 of 7	

rev	ecn no	dr	date
N			

3

PDS: Rev :N

STATUS:Released

Printed: Sep 12, 2013



1

2

3

4

PRODUCT NO.  
92789-055CALF

A

B

C

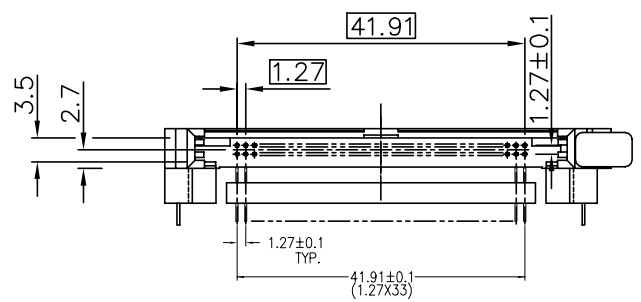
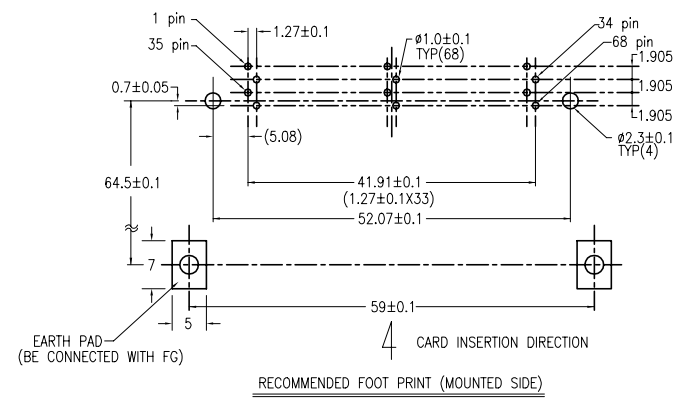
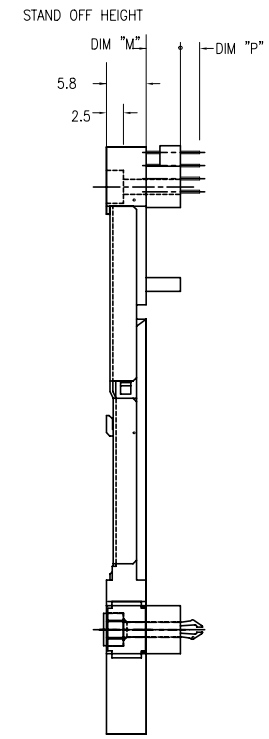
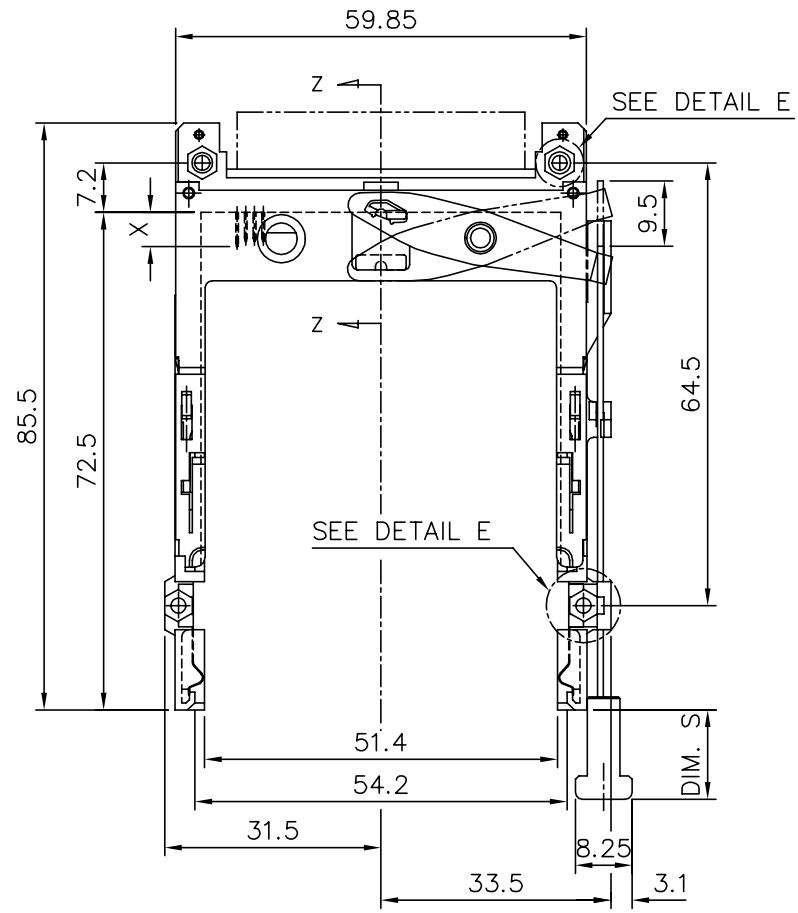
D

A

B

C

D



Copyright FCI.

rev	ecn no	dr	date
N			

www.fciconnect.com		surface	tolerance std	projection	MM
		TOLERANCES UNLESS OTHERWISE SPECIFIED			Scale
Dr	M.Hasegawa/11/05	ANGULAR	0.X ±	size	
Eng	M.Hasegawa/11/05	LINEAR	0.XX ±	ECN	
Chr		0' ±	0.XXX ±	Spec ref	
Appr		Product family Header PCMCIA SANF			
		title 68P LONG HEADER TYPE I / II / III (WITH EMI CLIP)		dwg no 92789	Rev. N
		catalog no CUSTOMER DRAWING		sheet 7 of 7	

## X-ON Electronics

Largest Supplier of Electrical and Electronic Components

*Click to view similar products for [fct electronics manufacturer](#):*

Other Similar products are found below :

[F2W2SC-1002](#) [FMK3-K201](#) [FT2W2SC-K121](#) [K761](#) [24P104C24P1-006](#) [SDB15P159S-060](#) [SHD15P15S-012](#) [SHD15P15S-036](#) [FU27W2S7-K121](#) [2761](#) [ICD040GVP163D-03](#) [ICD040GVP163D-25](#) [10056427-1050011LF](#) [155298-002](#) [155286-001](#) [172704-0016](#) [173112-0413](#) [173113-0152](#) [173109-0036](#) [111-0098-994](#) [173107-0568](#) [FM24W7P-K120](#) [FM9W4P-K120](#) [FWDR15S](#) [RB09P09P-006](#) [FLW0915S7](#) [FT2W2PC-K120](#) [25P203C25P2-003](#) [K1003](#) [10112041-2020HLF](#) [173112-0077](#) [173112-0074](#) [173114-0092](#) [10046971-019LF](#) [10093084-2010LF](#) [FWDR09S1](#) [SHD26P26S-012](#) [FWDR15P](#) [74977-101001LF](#) [FM25W3PA-K120](#) [173112-0073](#) [151-2811-010](#) [91910-21169LF](#) [SHD15P15S-060](#) [FKC3GNME](#) [FKT5](#) [CT50-78P7](#) [HM2R89PA8100N9LF](#) [FM27W2SA-K121](#) [73231-1321](#)