

4

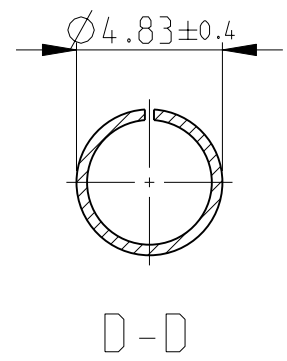
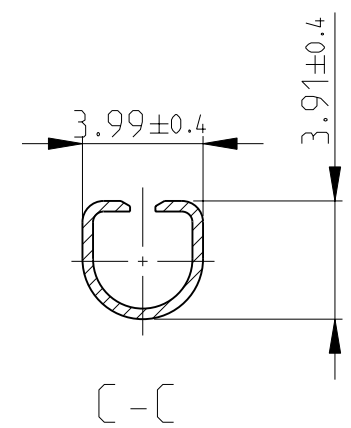
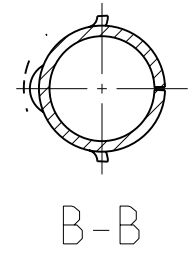
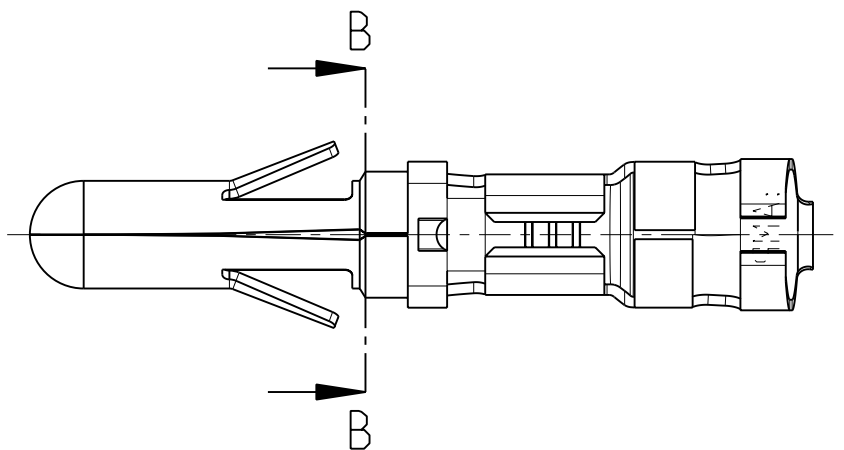
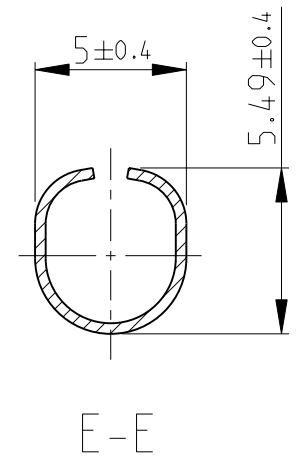
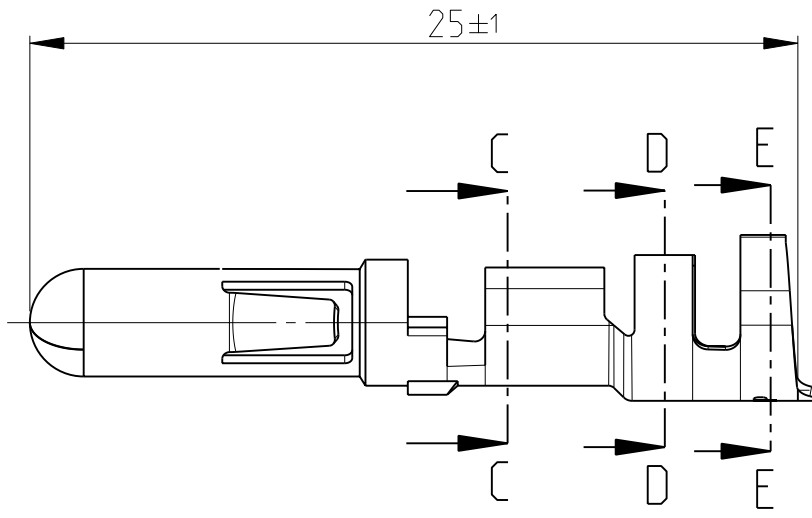
3

2

1

THIS DRAWING IS UNPUBLISHED. RELEASED FOR PUBLICATION 2008  
 © COPYRIGHT 2008 BY TYCO ELECTRONICS CORPORATION. ALL RIGHTS RESERVED.

LOC	DIST	REVISIONS			
P	LTR	DESCRIPTION	DATE	DWN	APVD
AL	2	L	New drawing released	24NOV2008	J.S L.B
		L1	REVISED PER ECO-09-026495	17DEC2009	KK AEG



NOTE:  
 1 OBSOLETE PARTS: OBSOLETE CIS STREAMLINING PER D.RENAUD/D.SINISI

1	OBSOLETE	2.1-4mm <sup>2</sup>	max. 4.5mm	Plain	Phosphor Bronze	925662-4
		2.1-4mm <sup>2</sup>	max. 4.5mm	Silver	Phosphor Bronze	925662-3
		2.1-4mm <sup>2</sup>	max. 4.5mm	Pre-tin	Phosphor Bronze	925662-2
		2.1-4mm <sup>2</sup>	max. 4.5mm	Pre-tin	Brass	925662-1
	DGB	Insulation Ø	Finish	Material	Loose piece no.	

<small>THIS DRAWING IS A CONTROLLED DOCUMENT FOR TYCO ELECTRONICS CORPORATION. IT IS SUBJECT TO CHANGE AND THE CONTROLLING ENGINEERING ORGANIZATION SHOULD BE CONTACTED FOR THE LATEST REVISION.</small>		DWN 24NOV2008 J. Salo		Tyco Electronics Corporation Barcelona, Spain.	
DIMENSIONS: mm		TOLERANCES UNLESS OTHERWISE SPECIFIED:		NAME .140 DIA PIN	
		0 PLØ ±- 1 P/C ±0.4 2 P/C ±- 3 P/C ±- 4 P/C ±- ANGLES ±1° 30'		PRODUCT SPEC - APPLICATION SPEC - WEIGHT -	
MATERIAL see table		FINISH see table		SIZE A3 CAGE CODE - DRAWING NO ©925662 RESTRICTED TO -	
CUSTOMER DRAWING				SCALE 4:1 SHEET 1 OF 1 REV L1	

## X-ON Electronics

Largest Supplier of Electrical and Electronic Components

*Click to view similar products for [Pin & Socket Connectors](#) category:*

*Click to view products by [TE Connectivity](#) manufacturer:*

Other Similar products are found below :

[6450822-1](#) [770392-1](#) [794042-1](#) [796885-1](#) [8-794535-1](#) [881459-2](#) [R929993003](#) [1-350779-3](#) [1403611-1](#) [1-480349-5](#) [152302-5](#) [1586092-1](#)  
[1586129-1](#) [1586487-1](#) [1586681-4](#) [1586700-1](#) [1586065-1](#) [1586077-1](#) [1586368-1](#) [1586380-1](#) [1586616-1](#) [1586680-5](#) [1586681-2](#) [1604996-1](#)  
[16-06-0038](#) [164164-5](#) [1-6609930-1](#) [172296-1](#) [1-794714-6](#) [19-09-2035](#) [1969804-1](#) [200503-1](#) [200788-2](#) [201046-7](#) [202648-4](#) [2029076-2](#)  
[2029090-4](#) [2029095-4](#) [2-66102-6](#) [925061-7](#) [926681-1](#) [293734-4](#) [293737-2](#) [1-765362-4](#) [1-794606-3](#) [1871534-1](#) [1969795-1](#) [1969798-1](#)  
[1969800-1](#) [200833-4](#)