

# Panel Mount Fuse Holder

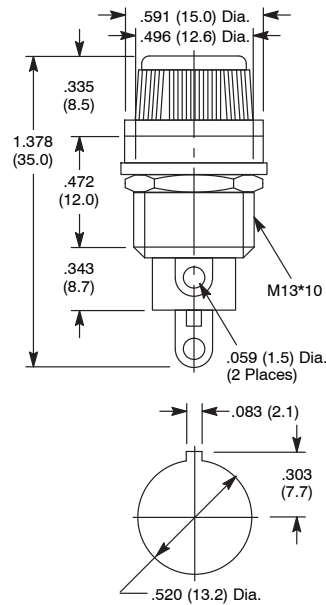


## Specifications:

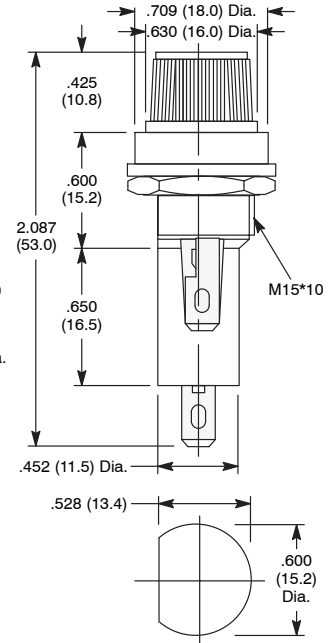
- Available in 2 Sizes:  
Part No. 74-FH5 is for 5 x 20mm Fuses  
Part No. 74-FH6 is for 6 x 30mm and 6.3 x 32mm Fuses
- Rating: 10A / 250VAC
- Finger-Grip Fuse Extractor Type Knob



### FA-05 (74-FH5)



### FA-06 (74-FH6)



# In-Line Fuse Holder

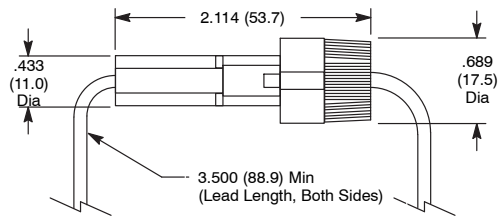


## Specifications:

- Available in 2 Sizes:  
Part No. 74-IFH5 is for 5 x 20mm Fuses  
Part No. 74-IFH6 is for 6 x 30mm Fuses
- Rating:  
74-IFH5: 15A / 250VAC / 32VDC  
74-IFH6: 20A / 250VAC / 32VDC
- Red Wire Leads: 14AWG for the 74-IFH5 and 12AWG for the 74-IFH6
- Finger-Grip Fuse Extractor Type Knob



### FA-07



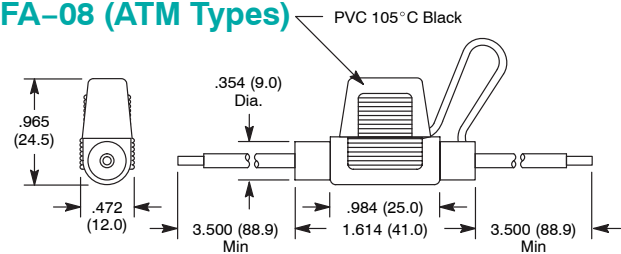
# Auto In-Line Fuse Holder

## Specifications:

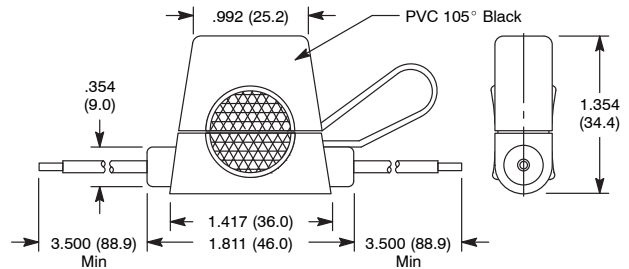
- Suitable for ATM & ATC Equivalent Blade Type Automotive Fuses
- Ratings and Ordering Numbers:  
 Part No. 74-IFHMA15 is for ATM type fuses up to 15A  
 Part No. 74-IFHMA30 is for ATM type fuses up to 30A  
 Part No. 74-IFHA15 is for ATC type fuses up to 15A  
 Part No. 74-IFHA30 is for ATC type fuses up to 30A
- All Types Rated up to 32VDC
- Body Material: PVC (Max. Temperature +105°C)
- Red Wire Leads: 16 AWG for 15A Versions & 12 AWG for 30A Versions



## FA-08 (ATM Types)



## FA-10 (ATC Types)



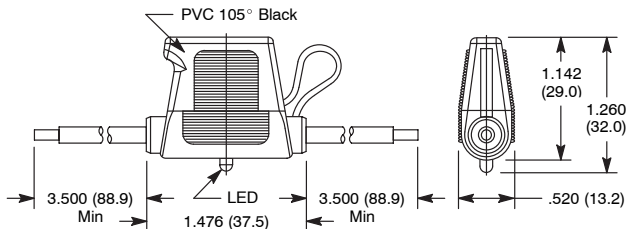
# Auto In-Line Fuse Holder w/LED Warning Light

## Specifications:

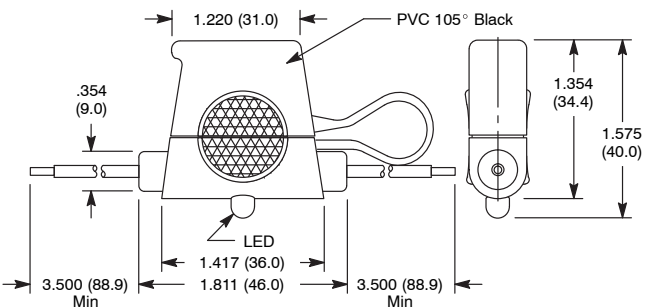
- Suitable for ATM & ATC Equivalent Blade Type Automotive Fuses
- LED Warning Light when Fuse is Blown
- Waterproof
- Ratings and Ordering Numbers:  
 Part No. 74-IFHMAL15 is for ATM type fuses up to 15A  
 Part No. 74-IFHMAL30 is for ATM type fuses up to 30A  
 Part No. 74-IFHAL15 is for ATC type fuses up to 15A  
 Part No. 74-IFHAL30 is for ATC type fuses up to 30A
- All Types Rated up to 12/24VDC
- Body Material: PVC (Max. Temperature +105°C)
- Red Wire Leads: 16 AWG for 15A Versions & 12 AWG for 30A Versions
- Non-Polarity Limited



## FA-09 (ATM Types)



## FA-11 (ATC Types)



## X-ON Electronics

Largest Supplier of Electrical and Electronic Components

*Click to view similar products for [nte manufacturer](#):*

Other Similar products are found below :

[747](#) [797](#) [868](#) [1724](#) [NEH680M50FE](#) [NEHH1.0M450CB](#) [NTE48](#) [NTE526A](#) [228A](#) [231](#) [954](#) [2023](#) [510](#) [R04-11A30-120](#) [04-SLPE3750A](#)  
[5615](#) [591](#) [7056](#) [NTE5710](#) [7448](#) [NEH.10M50AA](#) [NEH2.2M63AA](#) [NEH330M35DD](#) [NEH33M10AA](#) [NEV.22M100AA](#) [TP0006-100](#)  
[NTE182](#) [NTE528](#) [NTE542](#) [NTE74154](#) [04-SCBW25L-BK](#) [04-SCBW32L-BK](#) [04-SCW10C-BK](#) [04-SCBW19L-GR](#) [04-SCW19L-WH](#) [04-](#)  
[SCW19L-OR](#) [04-SCW38L-WH](#) [04-SCBW50L-OR](#) [04-SCBW50L-GR](#) [04-SCW10C-GR](#) [04-SCW10C-OR](#) [04-SCBW32L-GR](#) [04-SCBW32L-](#)  
[WH](#) [04-SCBW32L-OR](#) [04-SCBW6C-WH](#) [04-SCBW6C-GR](#) [04-SCBW6C-OR](#) [04-SCBW25L-GR](#) [04-SCBW25L-WH](#) [04-ESNF-500L](#)