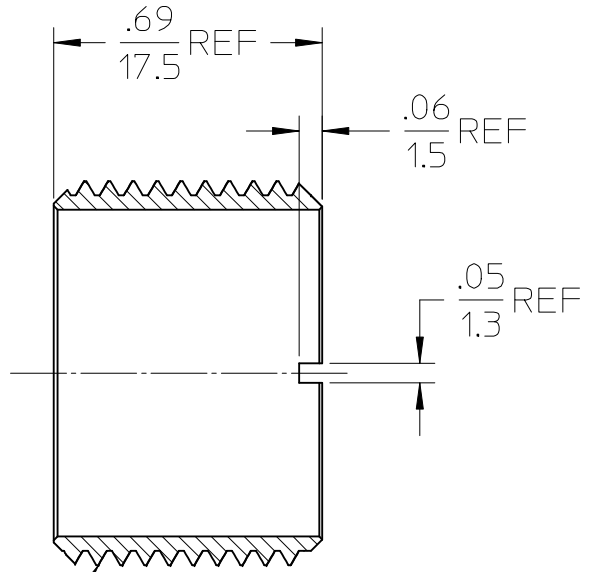
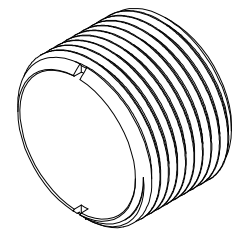


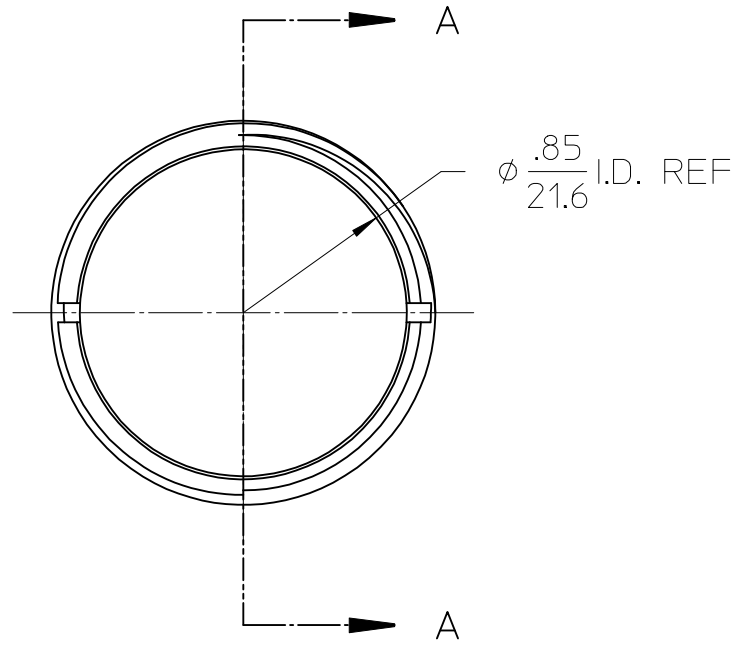
MATL. NO.	ENG NO.	FINISH	MATERIAL
1302011226	55-0466	CLEAR ANODIZE	ALUMINUM
1302011227	55-0466SS	PASSIVATED	ST. STEEL

(B)



1-16 UN-2A THD

Section A-A



ADD SS P/N EC NO: IPG2013-0880 DRWN:RSTONE 2013/01/22 CH'KD:K. JOZWIK 2013/01/25 APPR:JFMURPHY 2013/03/01	QUALITY SYMBOLS ▽=0 ▽=0	GENERAL TOLERANCES (UNLESS SPECIFIED)		DIMENSION STYLE IN/MM		SCALE 2:1	DESIGN UNITS INCH	THIRD ANGLE PROJECTION	
			mm	INCH	DRAWN BY BRUPERT	DATE 08/20/09	MC THREADED ADAPTER B - SIZE 1-16 THD		
		4 PLACES	± ---	± ---	CHECKED BY WOODMAN	DATE 08/20/09			
		3 PLACES	± ---	± ---	APPROVED BY JFMURPHY	DATE 2009/08/26	MOLEX INCORPORATED		
2 PLACES	± ---	± ---	DRAFT WHERE APPLICABLE MUST REMAIN WITHIN DIMENSIONS		DOCUMENT NO. SD-130201-226		SHEET NO. 1 OF 1		
1 PLACE	± ---	± ---	SEE CHART		THIS DRAWING CONTAINS INFORMATION THAT IS PROPRIETARY TO MOLEX INCORPORATED AND SHOULD NOT BE USED WITHOUT WRITTEN PERMISSION				
ANGULAR ±1/2°									

X-ON Electronics

Largest Supplier of Electrical and Electronic Components

Click to view similar products for [brad](#) manufacturer:

Other Similar products are found below :

[1302011227](#) [1300700019](#) [1300640196](#) [1300390284](#) [1300250287](#) [1200660687](#) [120027-0153](#) [1200661044](#) [1200661039](#) [404006A10M040](#)
[120084-0016](#) [1300061349](#) [805000A09M050](#) [1300170023](#) [120065-0951](#) [1200670231](#) [1300130315](#) [1200860107](#) [1200651555](#) [1200660279](#)
[1300250067](#) [1200660695](#) [1300100865](#) [1200660697](#) [1300100493](#) [1300100496](#) [1300100497](#) [1300100498](#) [1300100499](#) [1300100884](#)
[1300100886](#) [1300640206](#) [1200651642](#) [1300640221](#) [120248-0500](#) [112095-5119](#) [121064-0568](#) [120068-8009](#) [130010-0864](#) [120086-8657](#)
[1300061438](#) [1300100869](#) [8A5000-325](#) [1200860122](#) [1200700207](#) [1200720171](#) [1300270017](#) [1300100488](#) [1300100868](#) [1300100494](#)