

Brand New! Unique Product Development!

Medium-Power Thru Panel Terminal Block

Pitch: 13mm

600 Volts / 30 Amps

PART#:
OTB-330N

Type:
Medium-Power Thru Panel

Features:
SEMS Screws
Plastic Finger-Safe Cover Included

Applications:
Suitable for:
Power Supplies
Industrial Controls
Motor Drives &
Variable-Speed Controls
All thru-panel, medium-power
current applications

Electrical

Rated Voltage:

600V

Rated Current:

30A

Wire Size:

12-22 AWG CU

Operating Temperature:

-40C to +90C

Materials

Housing:

Polycarbonate (UL94V-0)

Standard Color: Black

Cover:

Polycarbonate (UL94V-0), Clear

Terminal:

Brass, Nickel Plated

Positions Available:

2-15

Screw Size:

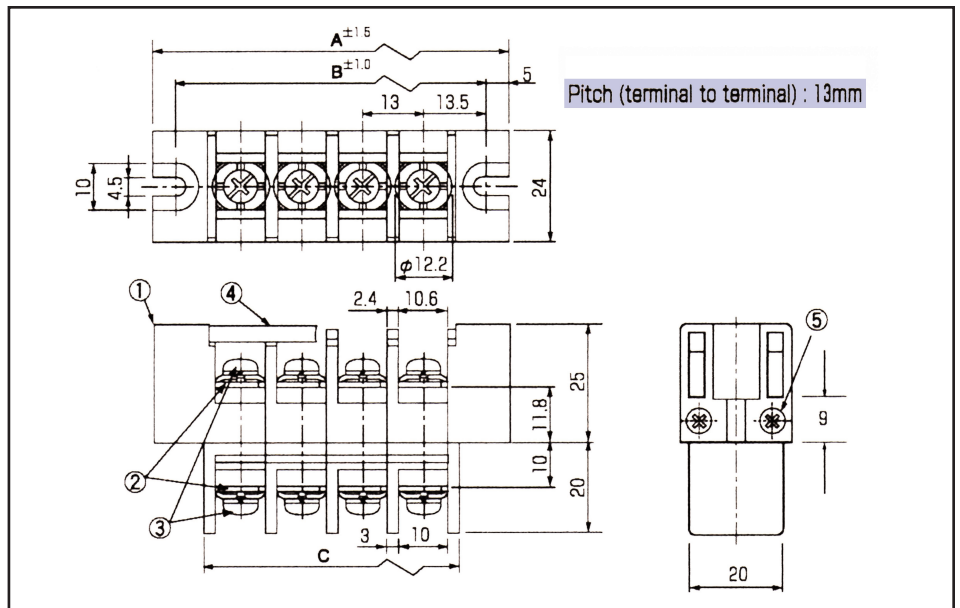
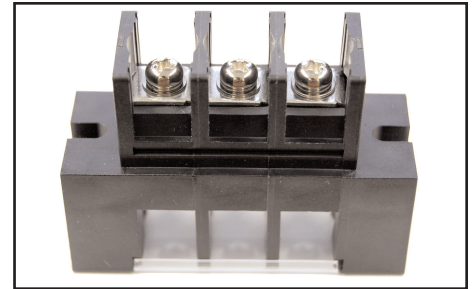
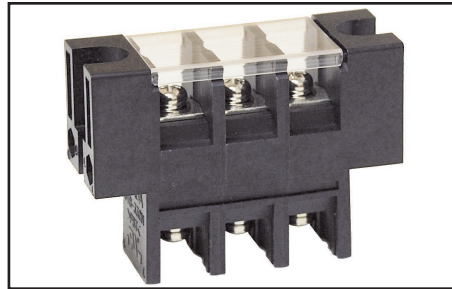
M4, Steel, Nickel plated

Withstanding Voltage:

AC2500V

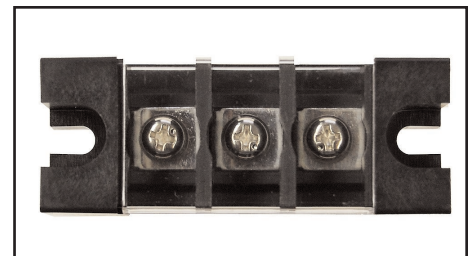
Torque:

12.4 inch lbs.



BlockMaster Electronics' new OTB-330N Series are medium power, thru-panel terminal blocks available in 2-15 positions.

BlockMaster's OTB-330N series are perfect for interfacing internally wired products to the outside world. They offer a clear, protective cover to reduce shock hazard, and each terminal has a screw with lockwasher for convenient field wiring as shown. Suitable for industrial controls, spa controls or any medium power field wiring to control box application.



HOW TO ORDER:

OTB-330N



Poles
2-15



1/30/08

World Class Terminal Blocks

1400 Howard Street Phone: (847) 956-1680
Elk Grove Village, IL 60007 Fax: (847) 956-1690

www.BlockMaster.com

X-ON Electronics

Largest Supplier of Electrical and Electronic Components

Click to view similar products for [blockmaster](#) manufacturer:

Other Similar products are found below :

[OTB-351-02P-C](#) [OTB-359N-02P-C](#) [OTB-388-03P-C](#) [OT-016-M5-L8](#) [OTB-358N-06P-C](#) [HP-ATB-175-4-3P](#) [OTB-388-04P-C](#) [OTB-330N-02P-C](#) [OTB-358N-05P-C](#) [OT-048-M5](#) [OTB-351-12P-C](#) [HB951-23P](#) [OTB-351-05P-C](#) [OP-055-M5-L1](#) [OTB-388-02P-C](#) [OTB-358N-04PC](#)
[OT-201-M8](#) [OT-047-M4](#) [PSM020H5](#) [675-303/920](#) [KS-03](#) [HI-205-07PH-C](#) [675-102/0](#) [675-302/0](#)