

# Brand New! Unique Product Development!

**High-Power Thru Panel Terminal Block**

**Pitch: 21mm**

**600 Volts / 100 Amps**

**PART#:**  
**OTB-388**

**Type:**  
High-Power Thru Panel

**Features:**  
Thru-Panel Barrier Construction  
Plastic, Finger-Safe Cover Included  
SEMS Screws

**Applications:**  
Suitable for:  
Electrical Switch Gear  
Motor Controls  
Motor/Gen Sets  
Electric Heating  
Spa Controls  
Off-Highway Vehicles

**Electrical**  
**Rated Voltage:**  
600V

**Rated Current:**  
100A

**Wire Size:**  
2-8 AWG CU

**Operating Temperature:**  
-40C to +90C

**Materials**  
**Housing:**  
Polycarbonate (UL94V-0)  
Standard Color: Black  
**Cover:**  
Polycarbonate (UL94V-0), Clear

**Terminal:**  
Brass, Nickel Plated

**Positions Available:**  
2-15

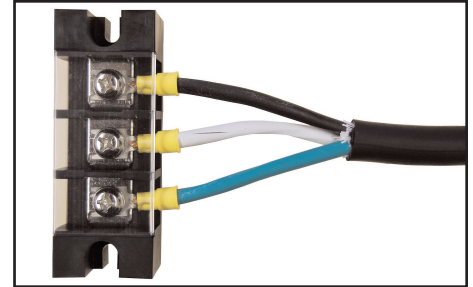
**Screw Size:**  
M6, Steel, Nickel plated

**Withstanding Voltage:**  
AC2500V

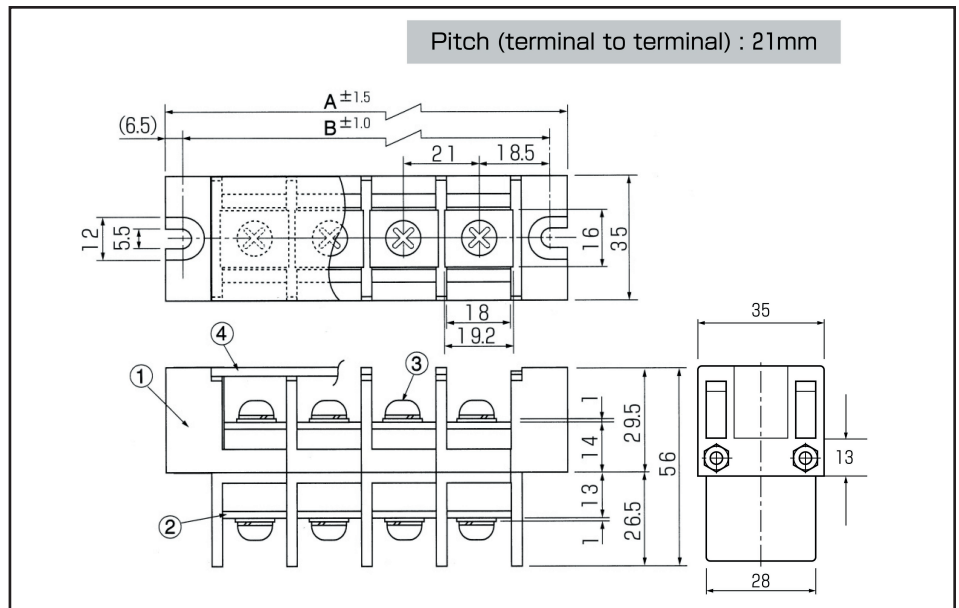
**Torque:**  
26 inch lbs.



OTB-388 with clear cover installed

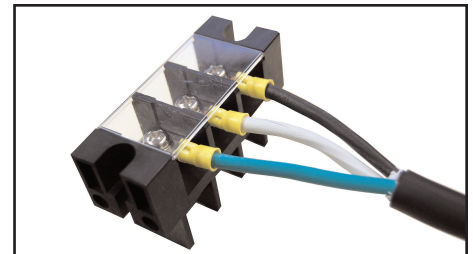


(Typical Application)



BlockMaster Electronics' new OTB-388 Series are medium power, thru-panel terminal blocks available in 2-15 positions.

BlockMaster's OTB-388 series are perfect for interfacing internally wired products to the outside world. They offer a clear, protective cover to reduce shock hazard, and each terminal has a SEMS screw for convenient field wiring as shown. Suitable for industrial controls, spa controls or any medium power field wiring to control box application.



## HOW TO ORDER:

**OTB-388**  **P**

↓  
**Poles**  
**2-15**



**BLOCK MASTER BLOCKS**  
TM

World Class Terminal Blocks

1400 Howard Street Phone: (847) 956-1680  
Elk Grove Village, IL 60007 Fax: (847) 956-1690

[www.BlockMaster.com](http://www.BlockMaster.com)

## **X-ON Electronics**

Largest Supplier of Electrical and Electronic Components

*Click to view similar products for [blockmaster](#) manufacturer:*

Other Similar products are found below :

[OTB-351-02P-C](#) [OTB-359N-02P-C](#) [OTB-388-03P-C](#) [OT-016-M5-L8](#) [OTB-358N-06P-C](#) [HP-ATB-175-4-3P](#) [OTB-388-04P-C](#) [OTB-330N-02P-C](#) [OTB-358N-05P-C](#) [OT-048-M5](#) [OTB-351-12P-C](#) [HB951-23P](#) [OTB-351-05P-C](#) [OP-055-M5-L1](#) [OTB-388-02P-C](#) [OTB-358N-04PC](#)  
[OT-201-M8](#) [OT-047-M4](#) [PSM020H5](#) [675-303/920](#) [KS-03](#) [HI-205-07PH-C](#) [675-102/0](#) [675-302/0](#)