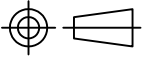
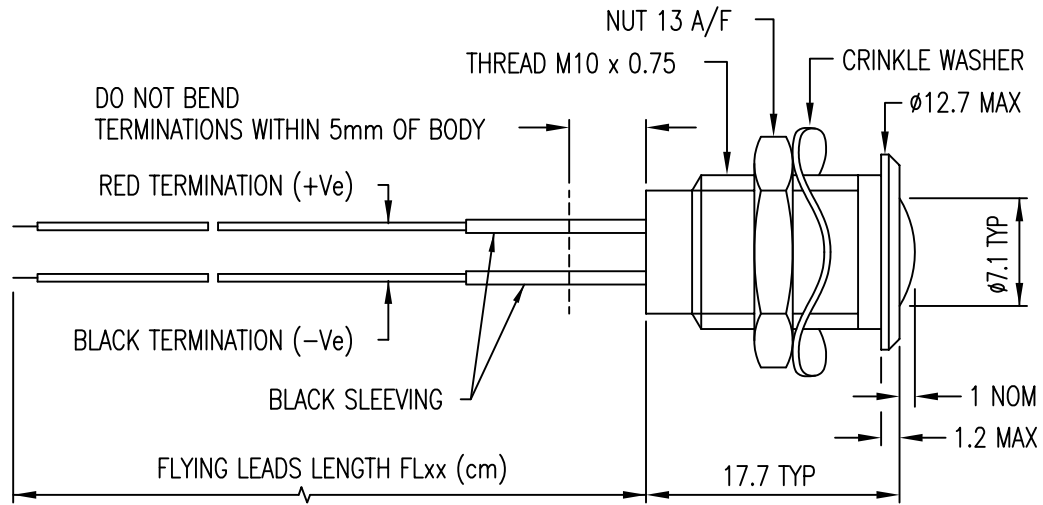


DRG No. <b>CP32526</b>	ISSUE <b>2</b>	TYPE No. OXL/CLH/100/-/AC/-/-		DIM. IN:	ODC:QS:40077 ISSUE 1	THIS DRAWING AND THE COPYRIGHT AND DESIGN RIGHT THEREIN ARE THE PROPERTY OF OXLEY DEVELOPMENTS CO. Ltd. AND MUST NOT BE REPRODUCED OR DISCLOSED TO A THIRD PARTY WITHOUT PRIOR WRITTEN CONSENT OF THE COMPANY.	ISS	MODIFICATION	DATE
				MILLIMETRES	DO NOT SCALE		2	CHANGE No. 02/72	4.4.02



MATERIALS AND FINISHES	
DESCRIPTION	MATERIAL, FINISH
BODY	ALUMINIUM, MATT BLACK ANODISED
LENS	POLYCARBONATE
TERMINATIONS	FLYING LEADS
NUT	ALUMINIUM ALLOY
WASHER	BeCu. TIN PLATED

OPERATING AND STORAGE TEMPERATURE : -40°C to 85°C

ELECTRICAL CHARACTERISTICS											
	UNITS	AlGaAs RED		WHITE		BLUE		YELLOW		GREEN	
		DC	AC	DC	AC	DC	AC	DC	AC	DC	AC
FORWARD CURRENT (TYP)	mA	15	7.5	15	7.5	15	7.5	15	7.5	15	7.5
LUMINOUS INTENSITY (TYP)	mcd at RATED VOLTAGE	900	450	750	375	900	450	750	375	940	470
REVERSE VOLTAGE (MAX)	V	RATED VOLTAGE									

MOUNTING DETAILS
MOUNTING HOLE : Ø10.15±0.1
RECOMMENDED MOUNTING TORQUE : 1Nm
CHASSIS THICKNESS : 1.5mm (Min)

MATERIAL AS STATED	DRAWN <i>Simon Russam</i>
FINISH AS STATED	CHECKED T. DAVIS
PLATING AS STATED	APPROVED DA01/322
TOLERANCE AS STATED	DATE 2 APR 01

WHEN ORDERING, PLEASE STATE TYPE NUMBER, SPECIFYING FLYING LEAD LENGTH, OPERATING VOLTAGE, LED COLOUR & DC OPERATION VARIANT (IF REQUIRED)

STANDARD AC OPERATION e.g OXL/CLH/100/12/AC/FL20/BLUE

OPERATING VOLTAGE REQUIRED (5, 12, 15, 24 or 28V)

REVERSE BLOCK DIODE PROVIDING ~8 WAVE RECTIFICATION

FLYING LEAD LENGTH IN cm

LED COLOUR REQUIRED (AlGaAs RED, YELLOW, GREEN, BLUE or WHITE)

DC OPERATION VARIANT e.g OXL/CLH/100/12/FL20/BLUE

OPERATING VOLTAGE REQUIRED (5, 12, 15, 24 or 28V)

FLYING LEAD LENGTH IN cm

LED COLOUR REQUIRED (AlGaAs RED, YELLOW, GREEN, BLUE or WHITE)

REMARKS

TITLE  
LOW PROFILE HIGH INTENSITY LED INDICATOR LAMP

## X-ON Electronics

Largest Supplier of Electrical and Electronic Components

*Click to view similar products for [oxley manufacturer](#):*

Other Similar products are found below :

[DLT/1000/ROHS](#) [OXL/CLH/100/FL30/GREEN](#) [OXL/CLH/100/12AC/FL30/ALGAAS RED](#) [OXL/CLH/63/BB/24AC/FL30/GREEN](#)  
[OXL/CLH/100/230/FL30/GREEN](#) [OXL/CLH/100/P/24AC/FL30/ALGAAS RED](#) [OXL/CLH/100/24AC/FL30/WHITE](#)  
[OXL/CLH/63/FL30/GREEN](#) [OXL/CLH/100/24AC/FL30/ALGAAS RED](#) [OXL/CLH/100/230/FL30/ALGAAS RED](#)  
[OXL/CLH/63/24AC/FL30/YELLOW](#) [LSB2/156/RED](#) [LS/B1/093 WHITE](#) [OXL/CLH/80/P/12AC/FL30/H/GREEN](#) [040/30P/KP2 SILVER](#)  
[DLT/10000/ROHS](#) [DLT4/L/22000/ROHS](#) [028/30P/KP2/L SILVER](#) [028/30P/LA/KP2 SILVER](#) [SN/040/RP SILVER](#) [FLTM/P/5000/ROHS](#)  
[SMOX/060/B1/LP GOLD](#) [040/30P/KP2/L SILVER](#) [040/30P/LA/KP2 SILVER](#)