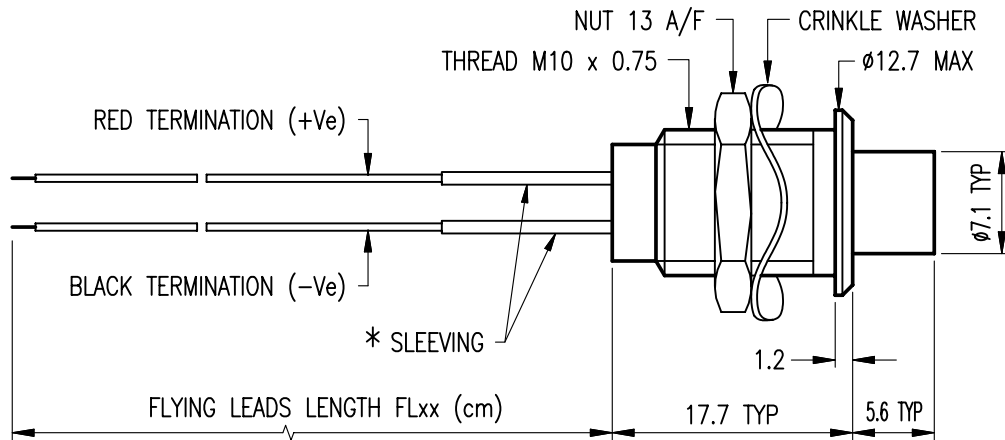


DRG No. CP32904	ISSUE 1	TYPE No. OXL/CLH/100/P/-/FLxx/-		DIM. IN: MILLIMETRES	ODC:QS:40077 ISSUE 1 DO NOT SCALE	THIS DRAWING AND THE COPYRIGHT AND DESIGN RIGHT THEREIN ARE THE PROPERTY OF OXLEY DEVELOPMENTS CO. Ltd. AND MUST NOT BE REPRODUCED OR DISCLOSED TO A THIRD PARTY WITHOUT PRIOR WRITTEN CONSENT OF THE COMPANY.	ISS	MODIFICATION	DATE
---------------------------	-------------------	------------------------------------	--	-------------------------	---	--	-----	--------------	------



MATERIALS AND FINISHES	
DESCRIPTION	MATERIAL, FINISH
BODY	BRASS BS2874 CZ121. BLACK CHROMED
LENS	POLYCARBONATE
TERMINATIONS	FLYING LEADS
NUT	ALUMINIUM ALLOY
WASHER	BeCu. TIN PLATED

OPERATING AND STORAGE TEMPERATURE : -40°C to 85°C

* FOR 110V : BLUE SLEEVING ON RED TERMINATION & BLACK SLEEVING ON BLACK TERMINATION
FOR 240V : BLACK SLEEVING ON BOTH TERMINATIONS

ELECTRICAL CHARACTERISTICS										
	AlGaAs RED		YELLOW		GREEN		BLUE		WHITE	
LUMINOUS INTENSITY TYPICAL (mcd AT RATED VOLTAGE)	110	240	110	240	110	240	110	240	110	240
FORWARD CURRENT (mA) TYP	5	2.5	5	2.5	5	2.5	5	2.5	5	2.5
REVERSE VOLTAGE (V) MAX	RATED VOLTAGE									

MOUNTING DETAILS
MOUNTING HOLE : ø10.15±0.1
RECOMMENDED MOUNTING TORQUE : 1Nm
CHASSIS THICKNESS : 1.5mm (Min)

MATERIAL AS STATED	DRAWN <i>Simon Russam</i>
FINISH AS STATED	CHECKED T. DAVIS
PLATING AS STATED	APPROVED DA01/322
TOLERANCE AS STATED	DATE 2 APR 01
REMARKS	
TITLE WIDE ANGLE PROMINENT HIGH INTENSITY LED INDICATOR LAMP	

WHEN ORDERING, PLEASE STATE TYPE NUMBER, SPECIFYING FLYING LEAD LENGTH, OPERATING VOLTAGE & LED COLOUR

e.g OXL/CLH/100/P/110/FL20/BLUE
 DENOTES PROMINENT LENS
 OPERATING VOLTAGE REQUIRED (110Vac or 240Vac)
 FLYING LEAD LENGTH IN cm
 LED COLOUR REQUIRED (AlGaAs RED, YELLOW, GREEN, BLUE or WHITE)

	Tel. 01229 582621 Fax. 01229 585090	OXLEY DEVELOPMENTS COMPANY LTD.	Ulverston Cumbria LA12 9QG ENGLAND	SCALE 2 : 1	TYPE No. OXL/CLH/100/P/-/FLxx/-	DRG No. CP32904	ISSUE 1
--	--	--	--	----------------	------------------------------------	---------------------------	-------------------

X-ON Electronics

Largest Supplier of Electrical and Electronic Components

Click to view similar products for Oxley manufacturer:

Other Similar products are found below :

[OXL/CLH/100/FL30/GREEN](#) [OXL/CLH/100/12AC/FL30/ALGAAS RED](#) [OXL/CLH/100/230/FL30/GREEN](#)

[OXL/CLH/100/P/24AC/FL30/ALGAAS RED](#) [OXL/CLH/100/24AC/FL30/ALGAAS RED](#) [OXL/CLH/100/24AC/FL30/WHITE](#)

[OXL/CLH/63/FL30/GREEN](#) [DLT/1000/ROHS](#) [FLTM/P/1500/ROHS](#) [OXL/CLH/63/BB/24AC/FL30/GREEN](#) [SN/040/RPL SILVER](#)

[OXL/CLH/100/230/FL30/ALGAAS RED](#) [SN/040/LT/BA SILVER](#) [OXL/CLH/63/24AC/FL30/YELLOW](#)

[OXL/CLH/80/P/12AC/FL30/H/GREEN](#) [LSB2/156/RED](#) [LSB2/156/WHITE](#) [030/30P/KP2 SILVER](#) [DLT/10000/ROHS](#) [028/30P/KP2/L](#)

[SILVER](#) [040/T/KP2 SILVER](#) [SN/040/RP SILVER](#) [LS/B1/093 WHITE](#) [040/30P/KP2 SILVER](#) [SN/040/LT SILVER](#) [FLTM/P/5000/ROHS](#)

[040/30P/KP2/L SILVER](#) [SMOX/060/B1/LP GOLD](#) [040/30P/LA/KP2 SILVER](#) [050/LT/B2](#)