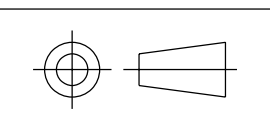


DRG No.
CP32096

ISSUE 4
TYPE No.
OXL/CLH/63/-/-/AC/-/-



DIM. IN:
MILLIMETRES

ODC:QS:40077
ISSUE 2
DO NOT SCALE

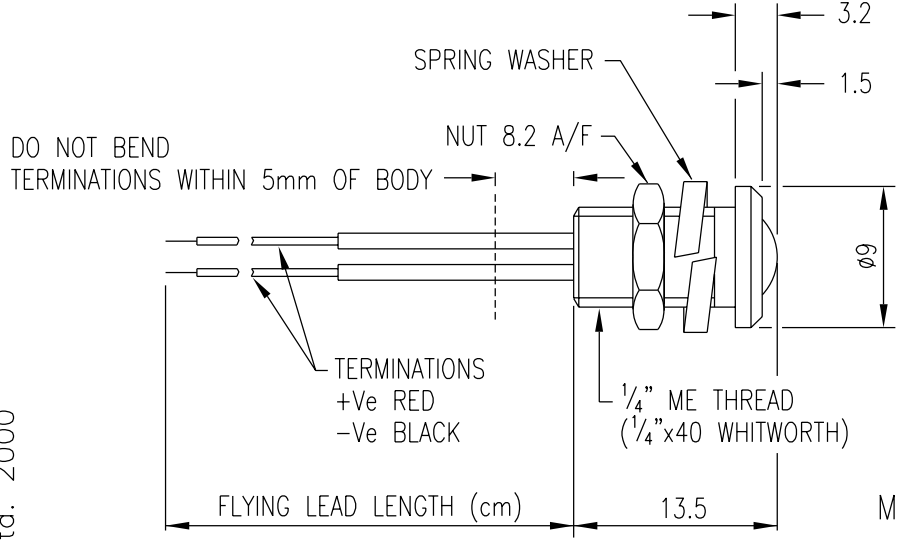
THIS DRAWING AND THE COPYRIGHT AND DESIGN RIGHT THEREIN ARE THE PROPERTY OF OXLEY DEVELOPMENTS CO. Ltd. AND MUST NOT BE REPRODUCED OR DISCLOSED TO A THIRD PARTY WITHOUT PRIOR WRITTEN CONSENT OF THE COMPANY.

ISS	MODIFICATION	DATE
4	CHANGE No. 03/09	13.02.03

ELECTRICAL / OPTICAL CHARACTERISTICS

LUMINOUS INTENSITY TYPICAL (mcd AT RATED VOLTAGE)	AIGaAs RED		YELLOW		GREEN		BLUE		WHITE	
	DC	AC	DC	AC	DC	AC	DC	AC	DC	AC
WAVELENGTH TYPICAL (nm)	900	450	750	375	940	470	900	450	750	375
FORWARD CURRENT (mA) TYP	637		585		525		470		N/A	
REVERSE VOLTAGE (V) MAX	15		15		15		15		15	
	RATED VOLTAGE									

DESCRIPTION	MATERIAL
TERMINATIONS	FLYING LEADS : COLOUR RED AND BLACK WIRE INSULATION. LENGTH DEFINED IN PART No. (cm)
BODY & NUT	ALUMINIUM ALLOY - FINISH DEFINED IN PART No.
LENS	POLYCARBONATE
SPRING WASHER	SPRING STEEL, BRIGHT ZINC PLATED

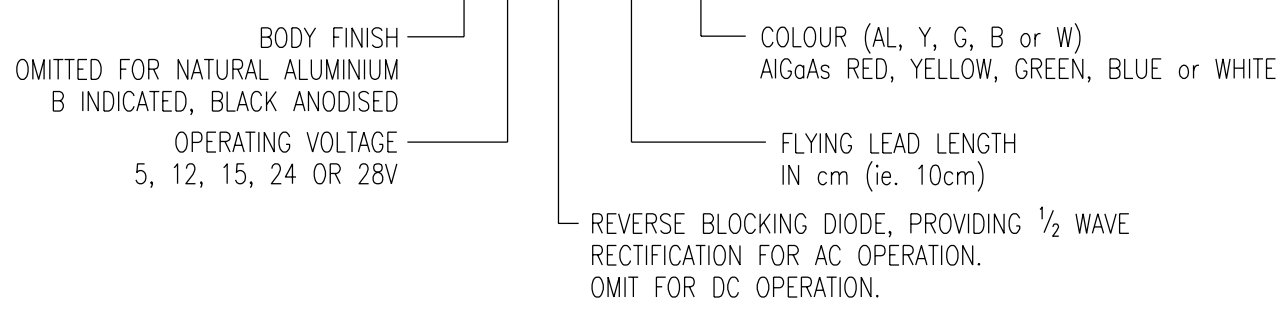


MOUNTING DETAILS :

MOUNTING HOLE $\phi 6.35^{+0.2}_0$
 RECOMMENDED MOUNTING TORQUE 1Nm
 CHASSIS THICKNESS 1 to 4mm

ORDERING INFORMATION :

WHEN ORDERING, STATE TYPE NUMBER, SPECIFYING BODY FINISH, OPERATING VOLTAGE, FLYING LEAD LENGTH AND LED COLOUR
 e.g OXL/CLH/63/B/5/AC/FL10/G



MATERIAL	DRAWN <i>Simon Russam</i>
FINISH CLEAN	CHECKED T. DAVIS
PLATING	APPROVED DA00/255
TOLERANCE	DATE 23 AUG 00
REMARKS	
TITLE	INDICATOR LAMP

© COPYRIGHT OXLEY DEVELOPMENTS Co. Ltd. 2000

X-ON Electronics

Largest Supplier of Electrical and Electronic Components

Click to view similar products for [oxley manufacturer](#):

Other Similar products are found below :

[OXL/CLH/100/FL30/GREEN](#) [OXL/CLH/100/12AC/FL30/ALGAAS RED](#) [OXL/CLH/63/BB/24AC/FL30/GREEN](#)

[OXL/CLH/100/230/FL30/GREEN](#) [OXL/CLH/100/P/24AC/FL30/ALGAAS RED](#) [OXL/CLH/100/24AC/FL30/WHITE](#)

[OXL/CLH/63/FL30/GREEN](#) [OXL/CLH/100/24AC/FL30/ALGAAS RED](#) [OXL/CLH/100/230/FL30/ALGAAS RED](#)

[OXL/CLH/63/24AC/FL30/YELLOW](#) [LSB2/156/RED](#) [LS/B1/093 WHITE](#) [OXL/CLH/80/P/12AC/FL30/H/GREEN](#) [040/30P/KP2 SILVER](#)

[DLT/10000/ROHS](#) [DLT4/L/22000/ROHS](#) [028/30P/KP2/L SILVER](#) [028/30P/LA/KP2 SILVER](#) [SN/040/RP SILVER](#) [FLTM/P/5000/ROHS](#)

[SMOX/060/B1/LP GOLD](#) [040/30P/KP2/L SILVER](#) [040/30P/LA/KP2 SILVER](#)