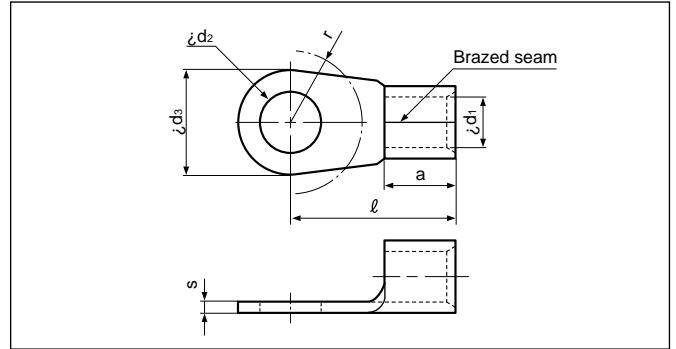
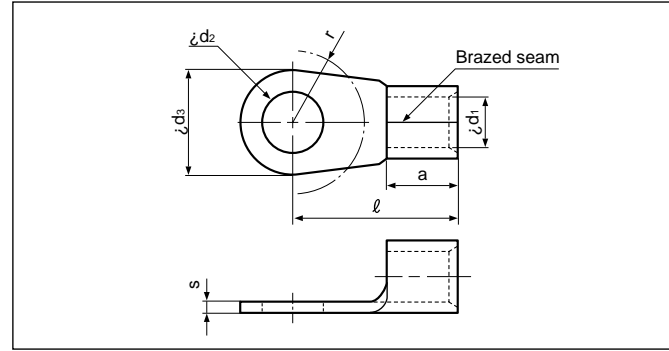


RING TONGUE TERMINAL Non-insulated DIN 46234



Applicable Wire mm ² (AWG#)	Stud Size Metric	Part No.	Nominal Size DIN46234	Dimensions mm (in.)							Tool No.	Qty/box
				ϕd_2	ϕd_3	r	ℓ	a	ϕd_1	s		
0.1 to 0.5 (26 to 22)	2	GS2-0.5	2-0.5	2.2 (.087)	5.0 (.197)	5.0 (.197)	9.8 (.386)	4.0 (.157)	1.0 (.039)	0.5 (.020)	—	2,000
	2.5	GS2.5-0.5	2.5-0.5	2.7 (.106)	5.0 (.197)	5.0 (.197)	9.8 (.386)					
	3	GS3-0.5	3-0.5	3.2 (.126)	5.0 (.197)	5.0 (.197)	9.8 (.386)					
	3.5	GS3.5-0.5	3.5-0.5	3.7 (.146)	6.0 (.236)	5.0 (.197)	12.0 (.472)					
	4	GS4-0.5	4-0.5	4.3 (.169)	6.5 (.256)	6.0 (.236)	11.7 (.461)					
0.25 to 1.5 (22 to 16)	2	GS2-1		2.2 (.087)	6.0 (.236)	4.5 (.177)	11.0 (.433)	5.0 (.197)	1.6 (.063)	0.8 (.031)	JCH-10	2,000
	2.5	GS2.5-1	2.5-1	2.7 (.106)	6.0 (.236)	4.5 (.177)	11.0 (.433)	5.0 (.197)				
	3	GS3-1	3-1	3.2 (.126)	6.0 (.236)	4.5 (.177)	11.0 (.433)	5.0 (.197)				
	3	GS3L-1		3.2 (.126)	6.5 (.256)	3.5 (.138)	8.0 (.315)	4.0 (.157)				
	3.5	GS3.5-1	3.5-1	3.7 (.146)	6.0 (.236)	4.5 (.177)	11.0 (.433)	5.0 (.197)				
	3.5	GS3.5L-1		3.7 (.146)	6.5 (.256)	3.5 (.138)	8.0 (.315)	4.0 (.157)				
	4	GS4S-1		4.3 (.169)	6.5 (.256)	3.5 (.138)	8.0 (.315)	4.0 (.157)				
	4	GS4M-1		4.3 (.169)	7.0 (.276)	5.5 (.217)	11.0 (.433)	5.0 (.197)				
	4	GS4-1	4-1	4.3 (.169)	8.0 (.315)	6.0 (.236)	12.0 (.472)	5.0 (.197)				
	5	GS5S-1		5.3 (.209)	8.0 (.315)	6.0 (.236)	12.0 (.472)	5.0 (.197)				
	5	GS5-1	5-1	5.3 (.209)	10.0 (.394)	6.5 (.256)	13.0 (.512)	5.0 (.197)				
	6	GS6S-1		6.5 (.256)	10.0 (.394)	6.5 (.256)	13.0 (.512)	5.0 (.197)				
	6	GS6-1		6.5 (.256)	12.0 (.472)	10.0 (.394)	17.0 (.669)	5.0 (.197)				
	8	GS8-1		8.4 (.331)	12.0 (.472)	10.0 (.394)	17.0 (.669)	5.0 (.197)				
>1 to 2.5 (16 to 14)	3	GS3-2.5	3-2.5	3.2 (.126)	6.0 (.236)	4.5 (.177)	11.0 (.433)	5.0 (.197)	2.3 (.091)	0.8 (.031)	JCH-10	2,000
	3.5	GS3.5-2.5	3.5-2.5	3.7 (.146)	6.0 (.236)	4.5 (.177)	11.0 (.433)					
	3.5	GS3.5L-2.5		3.7 (.146)	6.8 (.268)	4.5 (.177)	11.0 (.433)					
	4	GS4S-2.5		4.3 (.169)	6.8 (.268)	4.5 (.177)	11.0 (.433)					
	4	GS4-2.5	4-2.5	4.3 (.169)	8.0 (.315)	6.0 (.236)	12.0 (.472)					
	5	GS5S-2.5		5.3 (.209)	8.0 (.315)	6.0 (.236)	12.0 (.472)					
	5	GS5-2.5	5-2.5	5.3 (.209)	10.0 (.394)	6.5 (.256)	14.0 (.551)	5.0 (.197)				
	5	GS5M-2.5		5.3 (.209)	9.5 (.374)	6.5 (.256)	12.0 (.472)					
	6	GS6S-2.5		6.5 (.256)	10.0 (.394)	6.5 (.256)	14.0 (.551)					
	6	GS6-2.5	6-2.5	6.5 (.256)	11.0 (.433)	7.5 (.295)	16.0 (.630)					
	8	GS8-2.5	8-2.5	8.4 (.331)	14.0 (.551)	10.0 (.394)	17.0 (.669)					
	10	GS10-2.5		10.5 (.413)	18.0 (.709)	12.0 (.472)	20.0 (.787)					
12	GS12-2.5		13.0 (.512)	18.0 (.709)	12.0 (.472)	20.0 (.787)	4.8 (.189)					
16	GS16-2.5		17.0 (.669)	27.0 (1.063)	16.0 (.630)	26.0 (1.024)						
>2.5 to 6 (12 to 10)	4	GS4-6	4-6	4.3 (.169)	8.0 (.315)	6.0 (.236)	14.0 (.551)	6.0 (.236)	3.6 (.142)	1.0 (.039)	JCH-10	1,000
	5	GS5-6	5-6	5.3 (.209)	10.0 (.394)	6.5 (.256)	15.0 (.591)					
	6	GS6-6	6-6	6.5 (.256)	11.0 (.433)	7.5 (.295)	16.0 (.630)					
	8	GS8-6	8-6	8.4 (.331)	14.0 (.551)	10.0 (.394)	19.0 (.748)					
	10	GS10-6	10-6	10.5 (.413)	18.0 (.709)	12.0 (.472)	21.0 (.827)					
	12	GS12-6		13.0 (.512)	18.0 (.709)	12.0 (.472)	21.0 (.827)					

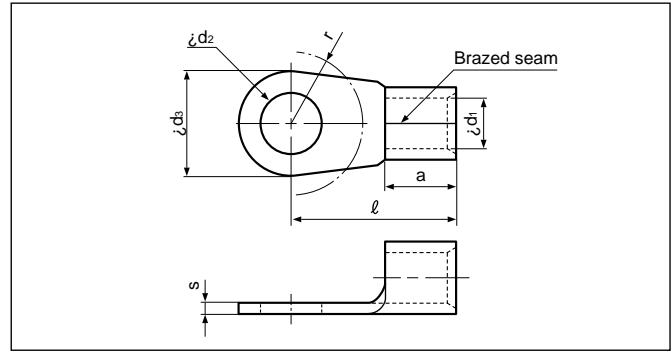
Note: 1) Contact J.S.T. Europe N.V., Belgium for the above tools.
 2) Delivery lead times may vary depending on the product. Contact JST for details.



Applicable Wire mm ² (AWG#)	Stud Size Metric	Part No.	Nominal Size DIN46234	Dimensions mm (in.)							Tool No.	Qty/box		
				ϕd_2	ϕd_1	r	ℓ	a	ϕd_1	s				
>6 to 10 (8)	4	GS4-10		4.3 (.169)	10.0 (.394)	6.5 (.256)	16.0 (.630)	8.0 (.315)	4.5 (.177)	1.1 (.043)	JCS-350 YH-540	500		
	5	GS5-10	5-10	5.3 (.209)	10.0 (.394)	6.5 (.256)	16.0 (.630)							
	6	GS6-10	6-10	6.5 (.256)	11.0 (.433)	7.5 (.295)	17.0 (.669)							
	8	GS8-10	8-10	8.4 (.331)	14.0 (.551)	10.0 (.394)	20.0 (.787)							
	10	GS10-10	10-10	10.5 (.413)	18.0 (.709)	12.0 (.472)	21.0 (.827)							
	12	GS12-10	12-10	13.0 (.512)	22.0 (.866)	13.0 (.512)	23.0 (.906)					250		
>10 to 16 (6)	5	GS5-16	5-16	5.3 (.209)	11.0 (.433)	7.5 (.295)	20.0 (.787)	10.0 (.394)	5.8 (.228)	1.2 (.047)	JCS-350 YH-540	200		
	6	GS6-16	6-16	6.5 (.256)	11.0 (.433)	7.5 (.295)	20.0 (.787)							
	8	GS8-16	8-16	8.4 (.331)	14.0 (.551)	10.0 (.394)	22.0 (.866)							
	10	GS10-16	10-16	10.5 (.413)	18.0 (.709)	12.0 (.472)	24.0 (.945)							
	12	GS12-16	12-16	13.0 (.512)	22.0 (.866)	13.0 (.512)	26.0 (1.024)							
>16 to 25 (4)	5	GS5-25	5-25	5.3 (.209)	12.0 (.472)	7.5 (.295)	25.0 (.984)	11.0 (.433)	7.5 (.295)	1.5 (.059)	JCS-350 YH-540 JS-150D JSHR-150	100		
	6	GS6-25	6-25	6.5 (.256)	12.0 (.472)	7.5 (.295)	25.0 (.984)							
	6	GS6L-25		6.5 (.256)	16.0 (.630)	10.0 (.394)	25.0 (.984)							
	8	GS8-25	8-25	8.4 (.331)	16.0 (.630)	10.0 (.394)	25.0 (.984)							
	10	GS10-25	10-25	10.5 (.413)	18.0 (.709)	12.0 (.472)	26.0 (1.024)							
	12	GS12-25	12-25	13.0 (.512)	22.0 (.866)	13.0 (.512)	31.0 (1.220)							
	16	GS16-25	16-25	17.0 (.669)	28.0 (1.102)	16.0 (.630)	35.0 (1.378)							
>25 to 35 (2)	6	GS6-35	6-35	6.5 (.256)	15.0 (.591)	10.0 (.394)	26.0 (1.024)	12.0 (.472)	9.0 (.354)	1.6 (.063)	JCS-350 YH-540 JS-150D JSHR-150	100		
	8	GS8-35	8-35	8.4 (.331)	16.0 (.630)	10.0 (.394)	26.0 (1.024)							
	10	GS10-35	10-35	10.5 (.413)	18.0 (.709)	12.0 (.472)	27.0 (1.063)							
	12	GS12-35	12-35	13.0 (.512)	22.0 (.866)	13.0 (.512)	31.0 (1.220)							
	16	GS16-35	16-35	17.0 (.669)	28.0 (1.102)	16.0 (.630)	36.0 (1.417)							
	16	GS16L-35		17.0 (.669)	30.0 (1.181)	18.0 (.709)	37.5 (1.476)	14.0 (.551)	9.4 (.370)	1.8 (.071)				
	20	GS20-35		21.0 (.827)	30.0 (1.181)	18.0 (.709)	37.5 (1.476)							
>35 to 50 (1/0)	6	GS6-50	6-50	6.5 (.256)	18.0 (.709)	12.0 (.472)	34.0 (1.339)	16.0 (.630)	11.0 (.433)	1.8 (.071)	YH-540D JS-150D JSHR-150	50		
	8	GS8-50	8-50	8.4 (.331)	18.0 (.709)	12.0 (.472)	34.0 (1.339)							
	10	GS10-50	10-50	10.5 (.413)	18.0 (.709)	12.0 (.472)	34.0 (1.339)							
	12	GS12-50	12-50	13.0 (.512)	22.0 (.866)	13.0 (.512)	36.0 (1.417)							
	16	GS16-50	16-50	17.0 (.669)	28.0 (1.102)	16.0 (.630)	40.0 (1.575)							
	20	GS20-50		21.0 (.827)	32.0 (1.260)	18.0 (.709)	41.5 (1.634)						18.0(.709)	11.4(.449)
>50 to 70 (2/0)	6	GS6-70	6-70	6.5 (.256)	22.0 (.866)	13.0 (.512)	38.0 (1.496)	18.0 (.709)	13.0 (.512)	2.0 (.079)	YH-540 JS-150D JSHR-150	50		
	8	GS8-70	8-70	8.4 (.331)	22.0 (.866)	13.0 (.512)	38.0 (1.496)							
	10	GS10-70	10-70	10.5 (.413)	22.0 (.866)	13.0 (.512)	38.0 (1.496)							
	12	GS12-70	12-70	13.0 (.512)	22.0 (.866)	13.0 (.512)	38.0 (1.496)							
	16	GS16-70	16-70	17.0 (.669)	28.0 (1.102)	16.0 (.630)	42.0 (1.654)							
	16	GS16L-70		17.0 (.669)	32.0 (1.260)	18.0 (.709)	45.0 (1.772)						19.0 (.748)	13.3 (.524)
	20	GS20-70		21.0 (.827)	32.0 (1.260)	18.0 (.709)	45.0 (1.772)							

Note: 1) Contact J.S.T. Europe N.V., Belgium for the above tools.
 2) Delivery lead times may vary depending on the product. Contact JST for details.

RING TONGUE TERMINAL *Non-insulated DIN 46234*



Applicable Wire mm ² (AWG#)	Stud Size Metric	Part No.	Nominal Size DIN46234	Dimensions mm (in.)							Tool No.	Qty/box					
				$\varnothing d_2$	$\varnothing d_3$	r	ℓ	a	$\varnothing d_1$	s							
>70 to 95 (3/0)	8	GS8-95	8-95	8.4 (.331)	24.0 (.945)	13.0 (.512)	42.0 (1.654)	20.0 (.787)	15.0(.591)	2.5 (.098)	YH-540 JS-150D JSHR-150	25					
	10	GS10-95	10-95	10.5 (.413)	24.0 (.945)	13.0 (.512)	42.0 (1.654)										
	10	GS10L-95		10.5 (.413)	27.0 (1.063)	14.0 (.551)	40.7 (1.602)										
	12	GS12-95	12-95	13.0 (.512)	24.0 (.945)	13.0 (.512)	42.0 (1.654)										
	12	GS12L-95		13.0 (.512)	27.0 (1.063)	14.0 (.551)	40.7 (1.602)										
	16	GS16-95	16-95	17.0 (.669)	28.0 (1.102)	16.0 (.630)	44.0 (1.732)										
	16	GS16LL-95		17.0 (.669)	32.0 (1.260)	18.0 (.709)	52.0 (2.047)										
>95 to 120 (4/0)	20	GS20L-95		21.0 (.827)	32.0 (1.260)	18.0 (.709)	52.0 (2.047)	22.0 (.866)	16.5 (.650)	3.0 (.118)	YH-540 JS-150D JSHR-150	25					
	8	GS8-120	8-120	8.4 (.331)	24.0 (.945)	13.0 (.512)	44.0 (1.732)										
	10	GS10-120	10-120	10.5 (.413)	24.0 (.945)	13.0 (.512)	44.0 (1.732)										
	12	GS12-120	12-120	13.0 (.512)	24.0 (.945)	13.0 (.512)	44.0 (1.732)										
	16	GS16-120	16-120	17.0 (.669)	28.0 (1.102)	16.0 (.630)	48.0 (1.890)										
	16	GS16S-120		17.0 (.669)	32.0 (1.260)	20.0 (.787)	53.0 (2.087)										
>120 to 150 (250 to 300MCM)	20	GS20-120		21.0 (.827)	32.0 (1.260)	25.0 (.984)	53.0 (2.087)	21.0(.827)	19.0 (.748)	3.2 (.126)	JS-150D JSHR-150	25					
	10	GS10-150	10-150	10.5 (.413)	30.0 (1.181)	16.0 (.630)	50.0 (1.969)	24.0 (.946)									
	12	GS12-150	12-150	13.0 (.512)	30.0 (1.181)	16.0 (.630)	50.0 (1.969)										
	16	GS16-150	16-150	17.0 (.669)	30.0 (1.181)	16.0 (.630)	50.0 (1.969)										
	18	GS18-150	18-150	19.0 (.748)	36.0 (1.417)	20.0 (.787)	63.0 (2.480)										
20	GS20-150		21.0 (.827)	36.0 (1.417)	30.0 (1.181)	63.0 (2.480)											
>150 to 185 (300 to 350MCM)	10	GS10-185	10-185	10.5 (.413)	36.0 (1.417)	16.0 (.630)	50.0 (1.969)	28.0 (1.102)	21.0 (.827)	3.5 (.138)	JSH-325	20					
	12	GS12-185	12-185	13.0 (.512)													
	16	GS16-185	16-185	17.0 (.669)													
>185 to 240 (350 to 450MCM)	10	GS10-240	10-240	10.5 (.413)	50.5 (1.988)	26.0 (1.024)	69.0 (2.717)	32.0(1.260)	23.5(.925)	4.0 (.157)	JSH-325	10					
	12	GS12-240	12-240	13.0 (.512)													
	12	GS12L-240		13.0 (.512)									44.0 (1.732)	25.0 (.984)	69.0 (2.717)	31.5(1.240)	24.0(.945)
	16	GS16-240	16-240	17.0 (.669)									38.0 (1.496)	20.0 (.787)	56.0 (2.205)	32.0(1.260)	23.5(.925)
	16	GS16L-240		17.0 (.669)									44.0 (1.732)	25.0 (.984)	69.0 (2.717)	31.5(1.240)	24.0(.945)
	22	GS22L-240		23.0 (.906)									44.0 (1.732)	25.0 (.984)	69.0 (2.717)	31.5(1.240)	24.0(.945)
>240 to 300 (500 to 600MCM)	10	GS10-300		10.5 (.413)	50.5 (1.988)	26.0 (1.024)	69.0 (2.717)	35.5 (1.398)	28.0 (1.102)	4.5 (.177)	-	5					
	12	GS12-300		13.0 (.512)													
	12	GS12L-300		13.0 (.512)								30.0 (1.181)	80.5 (3.169)				
	16	GS16-300		17.0 (.669)								26.0 (1.024)	69.0 (2.717)				
	22	GS22L-300		23.0 (.906)								30.0 (1.181)	80.5 (3.169)				

Note:1) Contact J.S.T. Europe N.V., Belgium for the above tools.
 2) Delivery lead times may vary depending on the product. Contact JST for details.

X-ON Electronics

Largest Supplier of Electrical and Electronic Components

Click to view similar products for [Terminals](#) category:

Click to view products by [JST](#) manufacturer:

Other Similar products are found below :

[HT-13-10](#) [71M-250-32-NB](#) [01-2065-1-0216](#) [00581P0075](#) [M10-10RX](#) [M10BCK](#) [60205-1](#) [604200-1](#) [60598-1-CUT-TAPE](#) [60617-1-C](#) [60873-1](#) [M14-516R/SK](#) [M14-6RSX](#) [M18-10FLX](#) [M18-8FBX](#) [M18-8R/LX](#) [M18BCK](#) [61314-6-C](#) [61-S](#) [61-SN-A](#) [62149-1](#) [62-NBM-A](#) [63-S](#) [640179-1](#) [640917-2-CUT-TAPE](#) [6501550002](#) [66107-2-C](#) [66107-4-C](#) [696683-1](#) [696834-1](#) [696861-1](#) [696931-1](#) [696999-1](#) [M8-516RK](#) [M86700006](#) [MA250DMFMX-A](#) [701-2007](#) [701-2307](#) [701-7761-03](#) [70F-110-32-PB](#) [718-N-A](#) [71M-187-20-NBL](#) [71M-250-32-NBL](#) [72F-187-20-NBL](#) [72M-250-32-NBL](#) [7310](#) [73F-250-32](#) [73F-250-32-NBL](#) [73F-250-32-NL](#) [F14-10C](#)