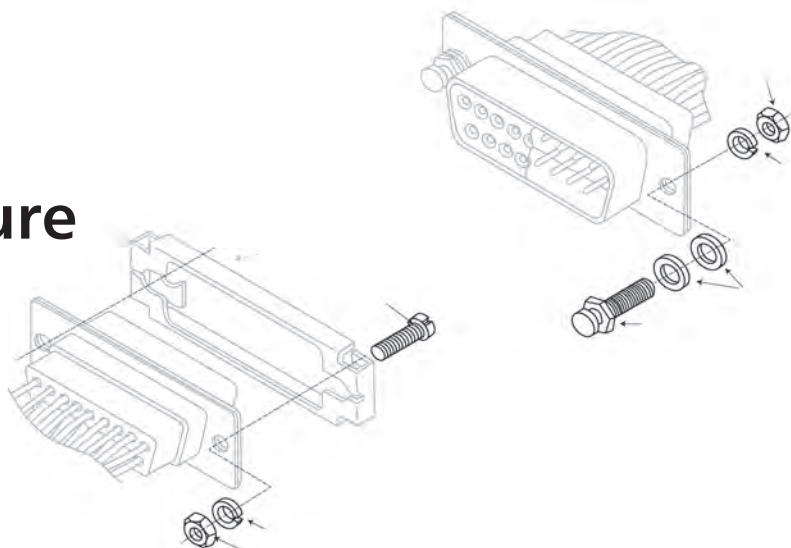




**ITT**

Interconnect Solutions

# Cannon D-Subminiature Accessories



*Engineered for life*

# Cannon D-Subminiature Accessories

## Selection Guide



### Locking Hardware

| Backshell    | Style   | Female Screw Lock<br>see page 12 | Male Screw Lock<br>see page 11 | Sliding Lock<br>Retainer<br>see page 13 | Slide Lock Post<br>see page 13 | Spring Latch Plate<br>see page 14 | Spring Latch<br>see page 14 |
|--------------|---|----------------------------------|--------------------------------|---|--------------------------------|-----------------------------------|-----------------------------|
| EMI Shielded | Snap-Together Metalized Plastic Straight Exit<br>see page 4 | —                                | —                              | —                                       | —                              | —                                 | —                           |
| EMI Shielded | Snap-Together Metalized Plastic 50° Exit<br>see page 4      | —                                | —                              | —                                       | —                              | —                                 | —                           |
| EMI Shielded | Die Cast Zinc Metal<br>see page 6                           | —                                | ▲                              | —                                       | —                              | —                                 | —                           |
| Metal        | Deep Straight Clamp<br>see page 7                           | •                                | •                              | •                                       | •                              | •                                 | •                           |
| Metal        | Round Cable Clamp<br>see page 7                             | •                                | •                              | •                                       | •                              | •                                 | •                           |
| Metal        | Short Straight Clamp<br>see page 8                          | •                                | •                              | •                                       | •                              | •                                 | •                           |
| Metal        | 90° Entry<br>see page 8                                     | •                                | •                              | •                                       | •                              | •                                 | •                           |
| Plastic      | Snap-Together Universal<br>see page 9                       | •                                | •                              | —                                       | —                              | —                                 | —                           |
| Plastic      | One-Piece Snap-Together<br>see page 9                       | —                                | ▲                              | —                                       | —                              | —                                 | —                           |
| Plastic      | One-Piece Plastic Straight Exit<br>see page 10              | —                                | —                              | •                                       | •                              | •                                 | •                           |
| Plastic      | One-Piece Plastic 90° Exit<br>see page 10                   | —                                | —                              | •                                       | •                              | •                                 | •                           |

- ▲ Supplied with backshell
- Optional compatible locking hardware
- Not compatible



Dimensions shown in mm (inch)  
Specifications and dimensions subject to change

www.ittcannon.com

# Cannon D-Subminiature Accessories

## Selection Guide



### Locking Hardware

| Jackscrew Assembly<br>see page 15 | Jackpost Assembly<br>see page 15 | Recessed Jackscrew<br>see page 5 | Extended Jackscrew<br>see page 5 | Thumbscrew<br>see page 5 | Jackpost for<br>In-Line Connections<br>see page 5 |
|-----------------------------------|----------------------------------|----------------------------------|----------------------------------|--------------------------|---|
| —                                 | —                                | •                                | •                                | •                        | •   |
| —                                 | —                                | •                                | •                                | •                        | •   |
| —                                 | —                                | —                                | —                                | —                        | —   |
| —                                 | •                                | —                                | —                                | —                        | —   |
| —                                 | •                                | —                                | —                                | —                        | —   |
| —                                 | •                                | —                                | —                                | —                        | —   |
| —                                 | —                                | —                                | —                                | —                        | —   |
| —                                 | —                                | —                                | —                                | —                        | —   |
| —                                 | —                                | —                                | —                                | —                        | —   |
| —                                 | —                                | —                                | —                                | —                        | —   |

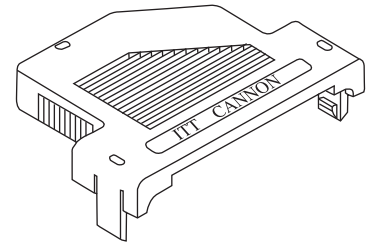
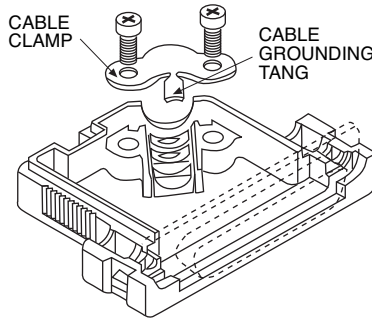
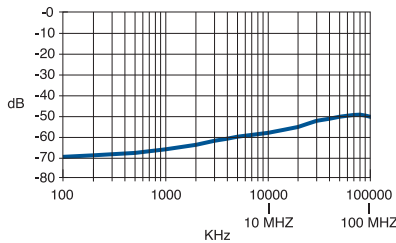
## Snap-Together Metalized Plastic

Metalized plastic backshells reduce EMI/RFI emissions. Metalized plastic provides a light weight solution. Design includes integral strain relieving cable

### Product Features

- Improves conformance to FCC DOC #20780 shielding requirements
- No crimp ferrule tooling needed
- Quick and simple assembly using snap-

### Attenuation



Note: Cable grounding tang not available on DE size back-

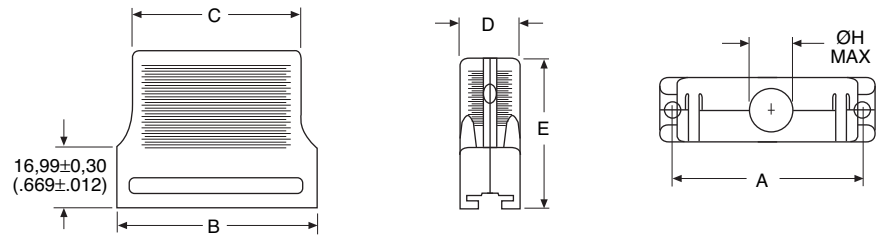
### Specifications

|                    |                 |
|--------------------|-----------------|
| Attenuation:       | -49 dB @ 100MHz |
| Temperature Range: | -20° C to 80° C |

### Materials and Finishes

|           |                               |
|-----------|-------------------------------|
| Material: | Thermoplastic, UL 94V-0 rated |
| Finish:   | Nickel over Copper            |

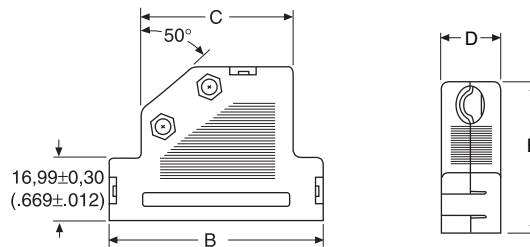
## Straight Exit



| Shell Size | Layout | Shielded Part # | Non-Shielded Part # Gray * | A ±0,15 (.006) | B ±0,30 (.012) | C ±0,30 (.012) | D ±0,30 (.120) | E ±0,20 (.008) | ØH Max.      |
|------------|--------|-----------------|----------------------------|----------------|----------------|----------------|----------------|----------------|--------------|
| DE         | 9      | DE121073-154    | DE121073-159               | 24,95 (.982)   | 30,81 (1.213)  | 23,70 (.933)   | 16,00 (.630)   | 35,99 (1.417)  | 7,32 (.288)  |
| DA         | 15     | DA121073-150    | DA121073-155               | 33,30 (1.311)  | 39,09 (1.539)  | 31,80 (1.252)  | 16,00 (.630)   | 42,00 (1.654)  | 8,31 (.327)  |
| DB         | 25     | DB121073-151    | DB121073-156               | 47,00 (1.850)  | 53,01 (2.087)  | 45,01 (1.772)  | 16,00 (.630)   | 42,00 (1.654)  | 10,52 (.414) |
| DC         | 37     | DC121073-152    | DC121073-157               | 63,45 (2.498)  | 69,29 (2.728)  | 60,30 (2.374)  | 16,00 (.630)   | 42,00 (1.654)  | 12,32 (.485) |
| DD         | 50     | DD121073-153    | DD121073-158               | 61,10 (2.410)  | 66,90 (2.634)  | 58,30 (2.295)  | 19,00 (.748)   | 42,00 (1.654)  | 13,00 (.512) |

\* Color Black available by request, please contact Customer Service.

## 50° Exit



| Shell Size | Layout | Shielded Part # | Non-Shielded Part # Gray * | B ±0,30 (.012) | C ±0,30 (.012) | D ±0,30 (.012) | E ±0,20 (.008) | Cable Diameter |              |
|------------|--------|-----------------|----------------------------|----------------|----------------|----------------|----------------|----------------|--------------|
|            |        |                 |                            | Min.           | Max.           |                |                |                |              |
| DE         | 9      | DE121073-54     | DE121073-59                | 35,99 (1.417)  | 22,00 (8.66)   | 16,00 (.630)   | 35,99 (1.417)  | 3,51 (.138)    | 7,49 (.295)  |
| DA         | 15     | DA121073-50     | DA121073-55                | 44,29 (1.744)  | 27,31 (1.075)  | 16,00 (.630)   | 42,01 (1.654)  | 6,50 (.256)    | 8,99 (.354)  |
| DB         | 25     | DB121073-51     | DB121073-56                | 57,99 (2.283)  | 41,00 (1.614)  | 16,00 (.630)   | 42,01 (1.654)  | 6,50 (.256)    | 11,00 (.433) |
| DC         | 37     | DC121073-52     | DC121073-57                | 74,50 (2.933)  | 57,51 (2.264)  | 16,00 (.630)   | 42,01 (1.654)  | 6,50 (.256)    | 11,00 (.433) |
| DD         | 50     | DD121073-53     | DD121073-58                | 72,97 (2.873)  | 54,99 (2.165)  | 19,00 (.748)   | 42,01 (1.654)  | 8,99 (.354)    | 13,00 (.512) |

\* Color Black available by request, please contact Customer Service.

- Kit consists of 1 front shell, 1 rear shell, 1 cable clamp, 2 screws
- Optional locking hardware sold separately, see page 5

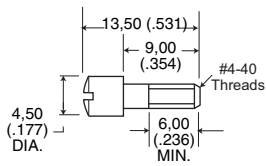
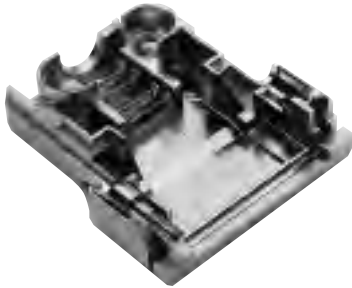


Dimensions shown in mm (inch)  
Specifications and dimensions subject to change

www.ittcannon.com

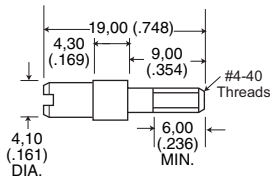
## Locking Hardware for Snap -Together EMI Shielded Backshell

Recessed Jackscrew



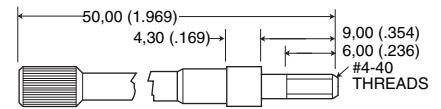
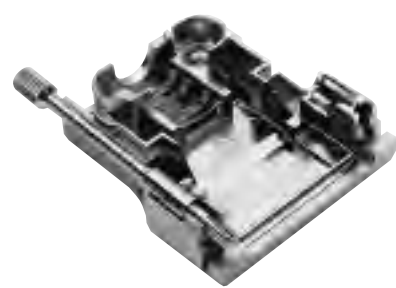
|                                  |              |
|----------------------------------|--------------|
| Part Number:                     | 250-8501-004 |
| Material:                        | Brass        |
| Finish:                          | Nickel       |
| Quantity required per connector: | 2            |

Extended Jackscrew



|                                  |                      |
|----------------------------------|----------------------|
| Part Number:                     | 250-8501-009 (M3)    |
|                                  | 250-8501-010 (#4-40) |
| Material:                        | Brass                |
| Finish:                          | Nickel               |
| Quantity required per connector: | 2                    |

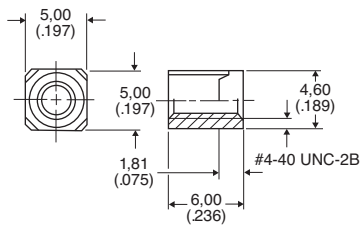
Thumbscrew



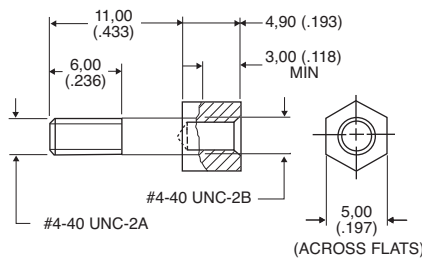
|                                  |              |
|----------------------------------|--------------|
| Part Number:                     | 250-8501-013 |
| Material:                        | Brass        |
| Finish:                          | Nickel       |
| Quantity required per connector: | 2            |

## Jackpost for In-Line Connections

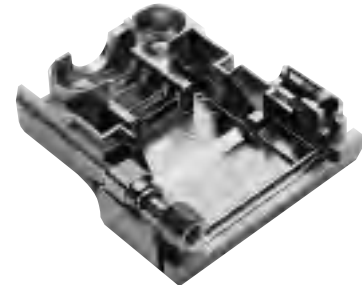
Rectangular Nut



Jackpost



Jackpost Assembly

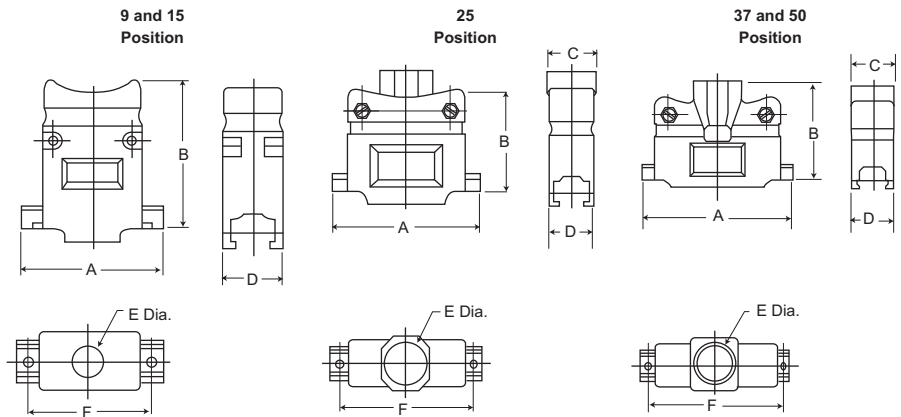


Assembly consists of 1 rectangular nut, 1 jackpost, 1 # 4-40 lock washer.

|                                  |            |
|----------------------------------|------------|
| Part Number:                     | D121073-19 |
| Material:                        | Brass      |
| Finish:                          | Nickel     |
| Quantity required per connector: | 2          |

## Die Cast Zinc Metal Backshell

Straight Exit



Die cast metal backshells reduce EMI/RFI emissions.

Die cast metal backshells offer improved shielding

### Product Features

- Improves conformance to FCC DOC #20780 shielding requirements
- No crimp ferrule tooling needed
- Kit consists of 1 front shell, 1 rear shell, 2 screws, 2 hex nuts, 2 mounting screws, 2 end brackets, 1 set of compression inserts

| Shell Size | Layout | Part Number  | A<br>±0,13 (.005) | B<br>±0,13 (.005) | C<br>±0,13 (.005) | D<br>±0,13 (.005) | øE<br>±0,13 (.005) | F<br>±0,13 (.005) |
|------------|--------|--------------|-------------------|-------------------|-------------------|-------------------|--------------------|-------------------|
| DE         | 9      | 980-2000-345 | 31,12 (1.225)     | 37,21 (1.465)     | 15,75 (.620)      | 15,75 (.620)      | 10,16 (.400)       | 24,99 (.984)      |
| DA         | 15     | 980-2000-346 | 39,12 (1.540)     | 40,64 (1.600)     | 15,75 (.620)      | 15,75 (.620)      | 10,16 (.400)       | 33,32 (1.312)     |
| DB         | 25     | 980-2000-347 | 53,09 (2.090)     | 39,37 (1.550)     | 17,53 (.690)      | 15,75 (.620)      | 13,34 (.525)       | 47,17 (1.857)     |
| DC         | 37     | 980-2000-348 | 69,34 (2.730)     | 45,72 (1.800)     | 21,95 (.864)      | 15,75 (.620)      | 18,44 (.726)       | 63,50 (2.500)     |
| DD         | 50     | 980-2000-349 | 66,70 (2.626)     | 45,72 (1.800)     | 21,95 (.864)      | 18,54 (.730)      | 18,44 (.726)       | 61,11 (2.406)     |

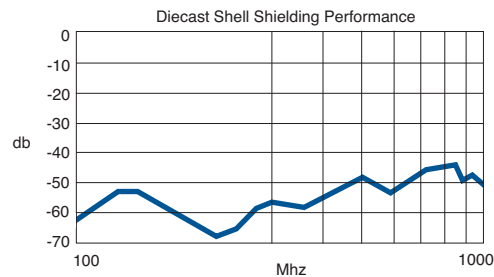
### Specifications

|                    |                  |
|--------------------|------------------|
| Attenuation:       | -50 dB @ 1000MHz |
| Temperature Range: | -20° C to 80° C  |

### Materials and Finishes

|                      |            |
|----------------------|------------|
| Backshell Material:  | Zinc       |
| Backshell Finish:    | Clear Zinc |
| Compression Inserts: | PVC        |
| Hardware Material:   | Steel      |
| Hardware Finish:     | Clear Zinc |

### Attenuation

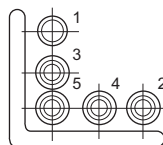


Compression inserts (included with die cast zinc metal backshell)

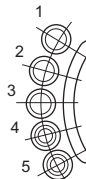
Compression inserts accommodate a wide variety of cable sizes.

| Position | Cable Diameter         |
|----------|------------------------|
| 9,15     | 4,83/8,89 (.190/.350)  |
| 25       | 4,83/11,68 (.190/.460) |
| 37,50    | 7,62/17,27 (.300/.680) |

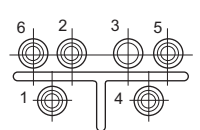
9 and 15 Position\*



25 Position\*



37 and 50 Position\*



\* Inserts may be supplied mirror image.

| Position | O.D. #1      | I.D. #1      | O.D. #2      | I.D. #2      | O.D. #3      | I.D. #3      | O.D. #4      | I.D. #4      | O.D. #5      | I.D. #5      | O.D. #6      | I.D. #6     |
|----------|--------------|--------------|--------------|--------------|--------------|--------------|--------------|--------------|--------------|--------------|--------------|-------------|
| 9,15     | 12,07 (.475) | 8,13 (.320)  | 9,14 (.360)  | 8,00 (.315)  | 9,14 (.360)  | 6,48 (.255)  | 9,14 (.360)  | 7,24 (.285)  | 9,14 (.360)  | 5,33 (.210)  | —            | —           |
| 25       | 15,24 (.600) | 11,43 (.450) | 11,43 (.450) | 10,41 (.410) | 11,43 (.450) | 9,40 (.370)  | 11,43 (.450) | 7,62 (.300)  | 11,43 (.450) | 5,84 (.230)  | —            | —           |
| 37,50    | 16,64 (.655) | 14,48 (.570) | 17,78 (.700) | 15,75 (.620) | 20,57 (.810) | 16,51 (.650) | 16,64 (.655) | 12,70 (.500) | 16,64 (.655) | 10,80 (.425) | 16,64 (.655) | 8,89 (.350) |



Dimensions shown in mm (inch)  
Specifications and dimensions subject to change

www.ittcannon.com

## Metal Backshell

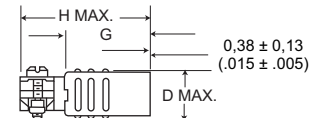
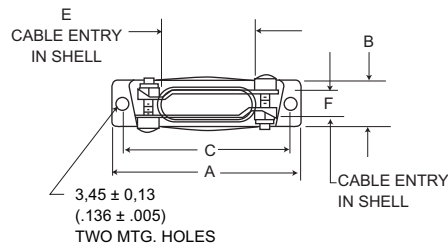
Metal Backshells provide strain relief. Various profiles available for different cable routing requirements.

Product Features  
Qualified to MIL-Spec M85049

### Materials and Finishes

|                     |   |
|---------------------|---|
| Backshell Material: | Low Carbon Steel                                |
| Backshell Finish:   | Chromate over Cadmium (Mil Spec) or Zinc (RoHS) |
| Hardware Material:  | Steel   |

### Deep Straight Clamp



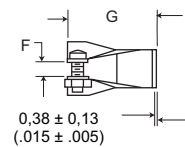
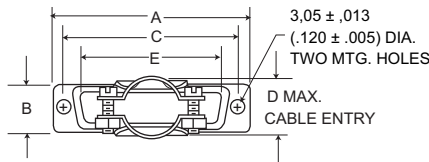
- Kit consists of 1 shell, 2 cable clamps, 2 screws, 2 hex nuts.

| RoHS Compliant Part Number |            |
|----------------------------|------------|
| DE                         | DE24657-29 |
| DA                         | DA24658-28 |
| DB                         | DB24659-27 |
| DC                         | DC24660-27 |
| DD                         | DD24661-27 |

| Shell Size | Layout | Part Number | Mil Spec Part Number* | A<br>±0,38 (.015) | B<br>±0,572 (.0225) | C<br>±0,38 (.015) | D<br>max.    | E<br>±0,38 (.015) | F<br>±0,38 (.015) | G<br>±0,38 (.015) | H<br>max.     |
|------------|--------|-------------|-----------------------|-------------------|---------------------|-------------------|--------------|-------------------|-------------------|-------------------|---------------|
| DE         | 9      | DE24657     | M85049/48-1-1F        | 30,56 (1.203)     | 12,484 (.4915)      | 24,99 (.984)      | 14,68 (.578) | 9,53 (.375)       | 9,53 (.375)       | 19,05 (.750)      | 31,75 (1.250) |
| DA         | 15     | DA24658     | M85049/48-1-2F        | 38,89 (1.531)     | 12,484 (.4915)      | 33,32 (1.312)     | 14,68 (.578) | 18,11 (.713)      | 7,93 (.312)       | 19,05 (.750)      | 31,75 (1.250) |
| DB         | 25     | DB24659     | M85049/48-1-3F        | 52,78 (2.078)     | 12,484 (.4915)      | 47,04 (1.852)     | 14,68 (.578) | 25,40 (1.000)     | 7,93 (.312)       | 25,40 (1.000)     | 39,70 (1.563) |
| DC         | 37     | DC24660     | M85049/48-1-4F        | 69,04 (2.718)     | 12,484 (.4915)      | 63,50 (2.500)     | 14,68 (.578) | 34,93 (1.375)     | 7,93 (.312)       | 25,40 (1.000)     | 39,70 (1.563) |
| DD         | 50     | DD24661     | M85049/48-1-5F        | 66,68 (2.625)     | 15,253 (.6005)      | 61,11 (2.406)     | 17,45 (.578) | 35,71 (1.406)     | 10,31 (.406)      | 28,57 (1.125)     | 42,88 (1.688) |

\* Parts may be ordered with "F" suffix. Part markings reflect base part number without "F" suffix.

### Round Cable Clamp



- Kit consists of 1 shell, 2 cable clamps, 2 screws, 2 hex nuts.

| RoHS Compliant Part Number |            |
|----------------------------|------------|
| DE                         | DE44994-14 |
| DA                         | DA20961-26 |
| DB                         | DB20962-30 |
| DC                         | DC20963-27 |
| DD                         | DD20964-32 |

| Shell Size | Layout | Part Number | Mil Spec Part Number* | A<br>±0,38 (.015) | B<br>±0,572 (.0225) | C<br>±0,38 (.015) | D<br>max.    | E<br>±0,38 (.015) | F<br>±0,38 (.015) | G<br>±0,76 (.030) |
|------------|--------|-------------|-----------------------|-------------------|---------------------|-------------------|--------------|-------------------|-------------------|-------------------|
| DE         | 9      | DE44994     | M85049/48-2-1F        | 30,68 (1.208)     | 12,70 (.500)        | 24,99 (.984)      | 10,31 (.406) | 16,79 (.661)      | 3,18 (.125)       | 26,18 (1.031)     |
| DA         | 15     | DA20961     | M85049/48-2-2F        | 38,89 (1.531)     | 12,70 (.500)        | 33,33 (1.312)     | 10,31 (.406) | 24,99 (.984)      | 3,18 (.125)       | 26,18 (1.031)     |
| DB         | 25     | DB20962     | M85049/48-2-3F        | 52,78 (2.078)     | 12,70 (.500)        | 47,04 (1.852)     | 15,06 (.593) | 38,48 (1.515)     | 4,75 (.187)       | 26,98 (1.062)     |
| DC         | 37     | DC20963     | M85049/48-2-4F        | 69,04 (2.718)     | 12,70 (.500)        | 63,50 (2.500)     | 18,23 (.718) | 55,14 (2.171)     | 6,35 (.250)       | 26,98 (1.062)     |
| DD         | 50     | DD20964     | M85049/48-2-5F        | 66,68 (2.625)     | 15,47 (.609)        | 61,11 (2.406)     | 20,62 (.812) | 53,16 (2.093)     | 7,92 (.312)       | 26,98 (1.062)     |

\* Parts may be ordered with "F" suffix. Part markings reflect base part number without "F" suffix.

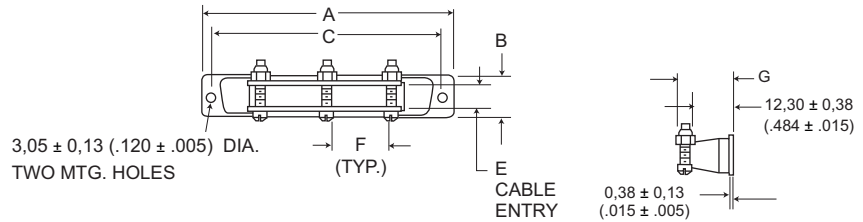
Dimensions shown in mm (inch)  
Specifications and dimensions subject to change



## Short Straight Clamp



- Kit consists of 1 shell, 2 or 3 screws, 2 or 3 hex nuts



RoHS Compliant  
Part Number

|    |             |
|----|-------------|
| DA | DA19678-212 |
| DB | DB19678-213 |
| DC | DC19678-214 |
| DD | DD19678-215 |

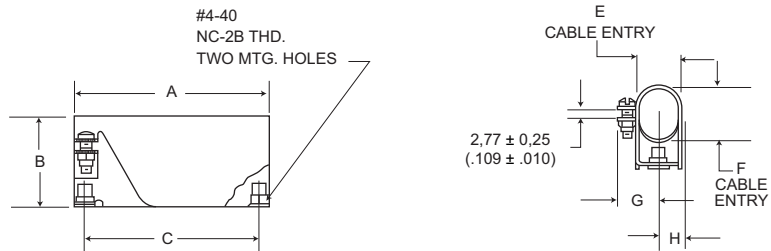
| Shell Size | Layout | Part Number | Mil Spec Part Number* | No. of Cable Locking Screws Included | A<br>±0,38 (.015) | B<br>±0,38 (.015) | C<br>±0,13 (.005) | E<br>±0,38 (.015) | F<br>±0,38 (.015) | G<br>±0,98 (.035) |
|------------|--------|-------------|-----------------------|--------------------------------------|-------------------|-------------------|-------------------|-------------------|-------------------|-------------------|
| DA         | 15     | DA19678-1   | M85049/48-3-2F        | 2                                    | 38,88 (1.531)     | 12,70 (.500)      | 33,33 (1.312)     | 7,51 (.296)       | 7,93 (.312)       | 16,36 (.644)      |
| DB         | 25     | DB19678-2   | M85049/48-3-3F        | 2                                    | 52,78 (2.078)     | 12,70 (.500)      | 47,04 (1.852)     | 7,51 (.296)       | 20,22 (.796)      | 16,36 (.644)      |
| DC         | 37     | DC19678-3   | M85049/48-3-4F        | 3                                    | 69,04 (2.718)     | 12,70 (.500)      | 63,50 (2.500)     | 7,51 (.296)       | 17,45 (.687)      | 16,36 (.644)      |
| DD         | 50     | DD19678-4   | M85049/48-3-5F        | 3                                    | 66,68 (2.625)     | 15,47 (.690)      | 61,11 (2.406)     | 9,91 (.390)       | 17,45 (.687)      | 17,63 (.694)      |

\* Parts may be ordered with "F" suffix. Part markings reflect base part number without "F" suffix.

## 90° Entry



- Kit consists of 1 shell, 1 cable clamp, 1 screw, 1 nut, 2 rivnuts (assembled)



RoHS Compliant  
Part Number

|    |            |
|----|------------|
| DE | DE19977-72 |
| DA | DA19977-68 |
| DB | DB19977-69 |
| DC | DC19977-70 |
| DD | DD19977-71 |

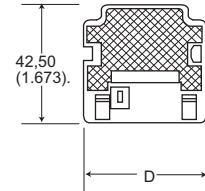
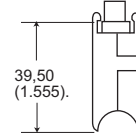
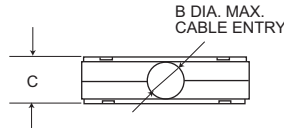
| Shell Size | Layout | Part Number | Mil Spec Part Number* | A<br>±0,38 (.015) | B<br>±0,38 (.015) | C<br>±0,13 (.005) | E<br>±0,38 (.015) | F<br>±0,38 (.015) | G<br>±0,98 (.035) | H           |
|------------|--------|-------------|-----------------------|-------------------|-------------------|-------------------|-------------------|-------------------|-------------------|-------------|
| DE         | 9      | DE19977-5   | M85049/50-1F          | 30,56 (1.203)     | 18,24 (.718)      | 24,99 (.984)      | 11,10 (.437)      | 11,10 (.437)      | 11,89 (.468)      | 7,14 (.281) |
| DA         | 15     | DA19977-1   | M85049/48-2F          | 38,89 (1.531)     | 12,70 (.500)      | 33,33 (1.312)     | 11,10 (.437)      | 11,10 (.437)      | 11,89 (.468)      | 7,14 (.281) |
| DB         | 25     | DB19977-2   | M85049/48-3F          | 52,78 (2.078)     | 12,70 (.500)      | 47,04 (1.852)     | 11,10 (.437)      | 15,88 (.625)      | 11,89 (.468)      | 7,14 (.281) |
| DC         | 37     | DC19977-3   | M85049/48-4F          | 69,04 (2.718)     | 12,70 (.500)      | 63,50 (2.500)     | 11,10 (.437)      | 20,63 (.812)      | 11,89 (.468)      | 7,14 (.281) |
| DD         | 50     | DD19977-4   | M85049/48-5F          | 66,68 (2.625)     | 15,47 (.690)      | 61,11 (2.406)     | 14,28 (.562)      | 23,01 (.906)      | 13,47 (.531)      | 8,71 (.343) |

\* Parts may be ordered with "F" suffix. Part markings reflect base part number without "F" suffix.



## Plastic Backshell

Snap -Together Universal



- 2-piece snap-together design for quick assembly.
- Customer furnishes tie-wrap.

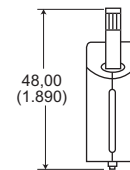
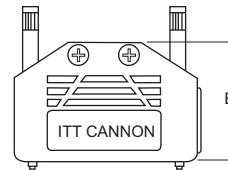
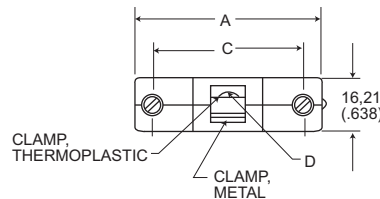
| Shell Size | Layout | Part Number | øB max.      | C ±0,20 (.008) | D ±0,20 (.008) |
|------------|--------|-------------|--------------|----------------|----------------|
| DE         | 9      | DE115339-20 | 7,01 (.276)  | 17,00 (.669)   | 19,51 (.768)   |
| DA         | 15     | DA115339-21 | 9,60 (.378)  | 17,00 (.669)   | 27,79 (1.094)  |
| DB         | 25     | DB115339-22 | 11,61 (.457) | 17,00 (.669)   | 41,61 (1.638)  |
| DC         | 37     | DC115339-23 | 13,00 (.512) | 17,00 (.669)   | 59,99 (2.283)  |
| DD         | 50     | DD115339-24 | 16,00 (.630) | 19,81 (.780)   | 52,32 (2.060)  |

Note: Part Numbers above replace the following part number series: DE110963-1 to DD110963-5

### Materials and Finishes

Material: Black Thermoplastic,  
UL 94V-0 rated

One-Piece Snap-Together



- Low cost
- Easy to assemble
- Mounting hardware included
- 2 thumbscrews, 2 cable clamps

| Shell Size | Layout | Part Number | A             | C             | ø D max.    | E             |
|------------|--------|-------------|---------------|---------------|-------------|---------------|
| DE         | 9      | DEBS-9      | 35,20 (1.386) | 24,99 (.984)  | 5,69 (.224) | 27,51 (1.083) |
| DA         | 15     | DABS-15     | 43,31 (1.705) | 33,33 (1.312) | 5,69 (.224) | 31,19 (1.228) |
| DB         | 25     | DBBS-25     | 57,20 (2.252) | 47,04 (1.852) | 6,50 (.256) | 38,30 (1.508) |
| DC         | 37     | DCBS-37     | 72,00 (2.83)  | 62,00 (2.44)  | 7,80 (.307) | 43,08 (1.69)  |
| DD         | 50     | DDBS-50     | 73,70 (2.90)  | 63,70 (2.50)  | 8,20 (.322) | 48,04 (1.89)  |

### Materials and Finishes

Backshell Material: Polypropylene  
Hardware Material: Steel  
Hardware Finish: Black Nickel

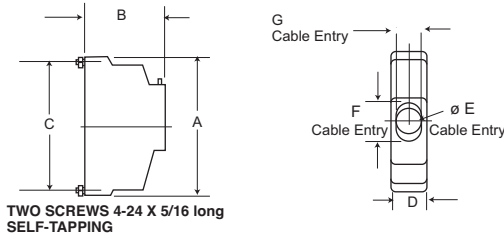
Dimensions shown in mm (inch)  
Specifications and dimensions subject to change

www.ittcannon.com



## One-Piece Plastic

### Straight Exit



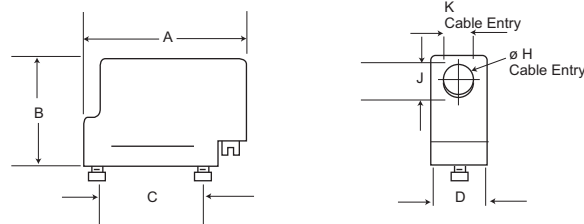
- Kit consists of 1 shell, 1 cable clamp, 1 set screw
- Mounting hardware included
- 2 screws #4-24 x 5/16 long self tapping
- Accommodates spring latches

#### Materials and Finishes

|                    |                                     |
|--------------------|-------------------------------------|
| Material:          | Black Thermoplastic, UL 94V-0 rated |
| Hardware Material: | Steel                               |
| Hardware Finish:   | Chromate over Zinc                  |

| Shell Size | Layout | Part Number | A             | B             | C             | D            | øE          | F            | G            |
|------------|--------|-------------|---------------|---------------|---------------|--------------|-------------|--------------|--------------|
| DE         | 9      | DE51218     | 30,94 (1.218) | 25,40 (1.000) | 24,99 (.984)  | 12,70 (.500) | 7,14 (.281) | —            | —            |
| DA         | 15     | DA51210     | 39,27 (1.546) | 25,40 (1.000) | 33,33 (1.312) | 12,70 (.500) | 9,14 (.360) | —            | —            |
| DB         | 25     | DB51212     | 53,16 (2.093) | 31,75 (1.250) | 47,04 (1.852) | 12,70 (.500) | —           | 12,52 (.493) | 9,15 (.360)  |
| DC         | 37     | DC51214     | 69,44 (2.734) | 38,10 (1.500) | 63,50 (2.500) | 12,70 (.500) | —           | 17,63 (.694) | 9,15 (.360)  |
| DD         | 50     | DD51216     | 67,06 (2.640) | 38,10 (1.500) | 61,11 (2.406) | 15,47 (.690) | —           | 18,64 (.734) | 11,89 (.468) |

### 90° Exit



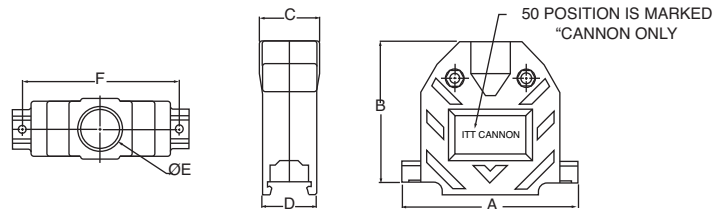
- Kit consists of 1 shell, 1 cable clamp, 1 set screw
- Mounting hardware included
- 2 screws #4-24 x 5/16 long self tapping

#### Materials and Finishes

|                    |                                     |
|--------------------|-------------------------------------|
| Material:          | Black Thermoplastic, UL 94V-0 rated |
| Hardware Material: | Steel                               |
| Hardware Finish:   | Chromate over Zinc                  |

| Shell Size | Layout | Part Number | A             | B             | C             | D            | øH          | J            | K            |
|------------|--------|-------------|---------------|---------------|---------------|--------------|-------------|--------------|--------------|
| DE         | 9      | DE51219     | 37,95 (1.494) | 25,40 (1.000) | 24,99 (.984)  | 12,70 (.500) | 7,14 (.281) | —            | —            |
| DA         | 15     | DA51211     | 46,28 (1.822) | 25,40 (1.000) | 33,33 (1.312) | 12,70 (.500) | 9,14 (.360) | —            | —            |
| DB         | 25     | DB51213     | 60,15 (2.368) | 31,75 (1.250) | 47,04 (1.852) | 12,70 (.500) | —           | 12,52 (.493) | 9,15 (.360)  |
| DC         | 37     | DC51215     | 76,43 (3.009) | 38,10 (1.500) | 63,50 (2.500) | 12,70 (.500) | —           | 17,63 (.694) | 9,15 (.360)  |
| DD         | 50     | DD51217     | 74,04 (2.915) | 38,10 (1.500) | 61,11 (2.406) | 15,47 (.690) | —           | 18,64 (.734) | 11,89 (.468) |

### Straight Exit - Metalized Plastic Low Cost



- Kit consists of 1 front shell, 1 rear shell, 1 cable clamp, 2 screws

| Shell Size | Layout | Part Number  | A             | B             | C            | D            | øE           | F             |
|------------|--------|--------------|---------------|---------------|--------------|--------------|--------------|---------------|
| DE         | 9      | 980-2000-350 | 30,91 (1.217) | 39,29 (1.547) | 16,26 (.640) | 16,26 (.640) | 10,16 (.400) | 24,99 (.984)  |
| DA         | 15     | 980-2000-351 | 39,24 (1.545) | 38,23 (1.505) | 16,26 (.640) | 16,26 (.640) | 10,16 (.400) | 33,32 (1.312) |
| DB         | 25     | 980-2000-352 | 53,09 (2.090) | 42,04 (1.655) | 18,03 (.710) | 16,26 (.640) | 13,26 (.522) | 47,17 (1.857) |
| DC         | 37     | 980-2000-353 | 69,44 (2.734) | 46,48 (1.830) | 23,01 (.906) | 16,26 (.640) | 18,44 (.726) | 63,50 (2.500) |
| DD         | 50     | 980-2000-354 | 67,18 (2.645) | 47,12 (1.855) | 23,88 (.940) | 19,56 (.770) | 18,44 (.726) | 61,11 (2.406) |

#### Materials and Finishes

|           |                               |
|-----------|-------------------------------|
| Material: | Thermoplastic, UL 94V-0 rated |
|-----------|-------------------------------|



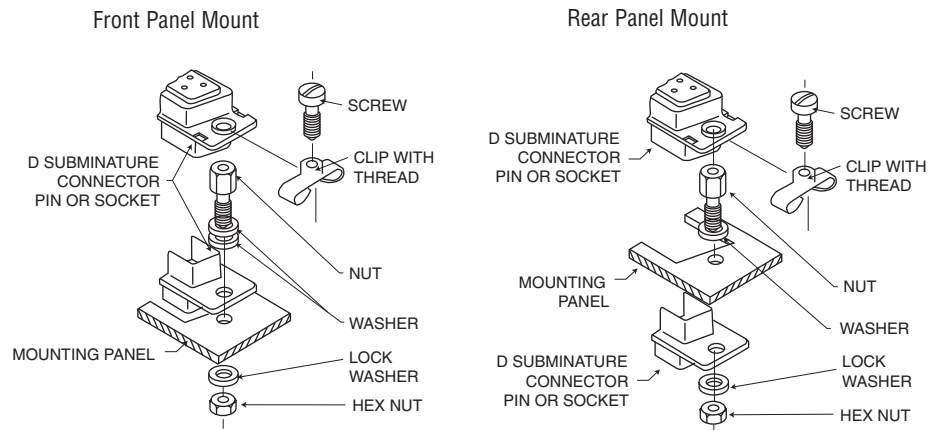
Dimensions shown in mm (inch)  
Specifications and dimensions subject to change

## Screw Lock Assemblies

ITT offers the largest variety of locking and latching hardware. Refer to the accessories selection guide on pages 2-3 for use with Cannon backshells.

### Product Features

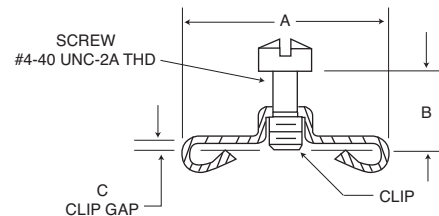
- Ensures positive mating
- Provides locking and latching for high vibration applications



### Male Screw Lock



- Kit consists of 1 screw and 1 clip
- Order 2 per connector



### Materials and Finishes

|           |               |
|-----------|---------------|
| Material: | Steel         |
| Finish:   | Zinc Chromate |

| Shell Size     | each P/N   | 2 each P/N | A<br>±0,38(1.5) | B<br>±0,2 (.010) | C<br>±0,13 (.005) | RoHS Compliant P/N each | RoHS Compliant P/N 2 each |
|----------------|------------|------------|-----------------|------------------|-------------------|-------------------------|---------------------------|
| DE, DA, DB, DC | D20419     | D20419-119 | 14,10 (.555)    | 6,35 (.250)      | 1,22 (.048)       | D20419-211              | D20419-218                |
| DE, DA, DB, DC | D20419-18  | D20419-121 | 14,10 (.555)    | 7,14 (.281)      | 1,70 (.067)       | D20419-212              | D20419-219                |
| DE, DA, DB, DC | D20419-21  | D20419-122 | 14,10 (.555)    | 7,14 (.281)      | 2,34 (.092)       | D20419-213              | D20419-220                |
| DE, DA, DB, DC | D20419-104 | D20419-216 | 14,10 (.555)    | 7,92 (.312)      | 2,34 (.092)       | D20419-214              | D20419-221                |
| DD             | D20420     | D20420-097 | 16,66 (.656)    | 6,35 (.250)      | 1,22 (.048)       | D20420-157              | D20420-163                |
| DD             | D20420-13  | D20420-099 | 16,66 (.656)    | 7,14 (.281)      | 1,70 (.067)       | D20420-158              | D20420-164                |
| DD             | D20420-15  | D20420-100 | 16,66 (.656)    | 7,14 (.281)      | 2,34 (.092)       | D20420-159              | D20420-165                |
| DD             | D20420-86  | D20420-162 | 16,66 (.656)    | 7,92 (.312)      | 2,34 (.092)       | D20420-160              | D20420-166                |

Dimensions shown in mm (inch)  
Specifications and dimensions subject to change

www.ittcannon.com

## Female Screw Lock

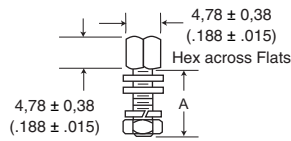


- Kit consists of 1 nut, 3 washer, 1 lock washer, 1 hex nut.
- Order 2 per connector.

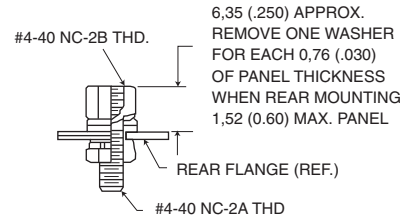
Material: Steel  
 Finish: Chromate over Cadmium (Mil or Zinc (RoHS)  
 Spec)

| Yellow Chromate each | Over Cadmium Kit of 2 each | Chromate Over Zinc Kit of 2 each | RoHS Compliant Part Number | A ± 0,38 (.015) |
|----------------------|----------------------------|----------------------------------|----------------------------|-----------------|
| D20418-2             | D20418-82                  | D20418-138                       | D20418-134                 | 7,92 (.312)     |
| D20418-50            | D20418-131                 | D20418-139                       | D20418-135                 | 12,70 (.500)    |
| D20418-39            | D20418-83                  | D20418-140                       | D20418-136                 | 15,88 (.625)    |
| D20418-74            | D20418-132                 | D20418-141                       | D20418-137                 | 19,05 (.750)    |

## Front Panel Mount

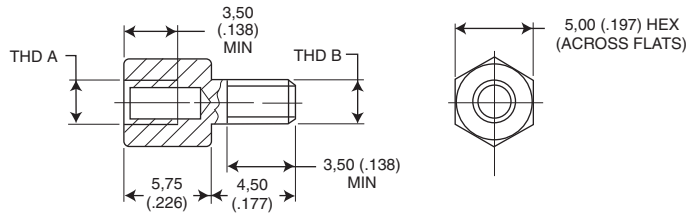
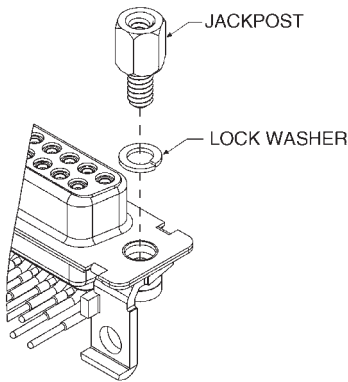


## Rear Panel Mount



NOTE: (1) A 6 inch/pound (female) and 4 inch/pound (male) maximum torque during assembly is recommended on steel screw lock assemblies. (2) A third flat washer is supplied for front panel mounting of tab shell connectors.

## Screw Locks for Connectors with Integral Threaded Inserts



| Part Number | Thread Code   |               |
|-------------|---------------|---------------|
|             | THD A         | THD B         |
| D121073-39  | # 4-40 UNC-2B | # 4-40 UNC-2A |
| D112041 *   | # 4-40 UNC-2B | # 4-40 UNC-2A |
| D121073-42  | M3            | M3            |

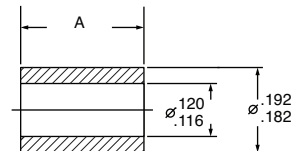
\* without lock washer

- Kit consists of 1 jackpost, 1 lock washer.
- Order 2 per connector.

## Spacer

Part Number: 253-0343-000 (D\*M Style) Dim A 5.84 ± .08 (.230 ± .003)  
 Part Number: 253-0343-011 (D\*MA Style) 9.40 ± .13 (.370 ± .005)

Material: Aluminum  
 Finish: Chromate over Cadmium



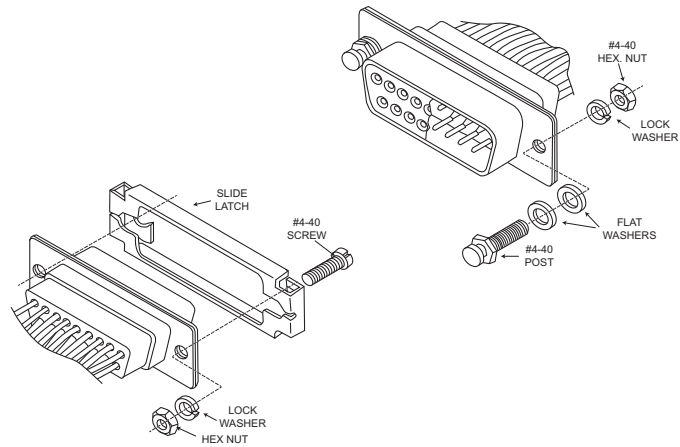
Dimensions shown in mm (inch)  
 Specifications and dimensions subject to change

## Screw Lock Assemblies

ITT offers the largest variety of locking and latching hardware. Refer to the accessories selection guide on pages 2-3 for use with Cannon backshells.

### Product Features

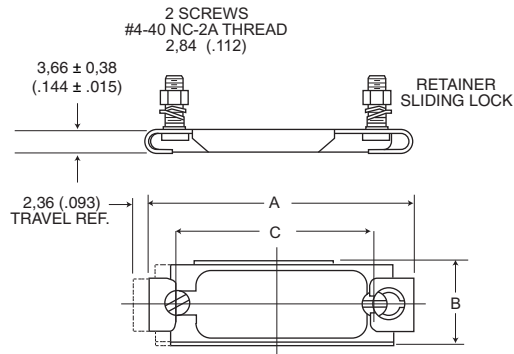
- Ensures positive mating
- Provides locking and latching for high vibration applications



## Sliding Lock Retainer Assembly



- Ideal for Ethernet Applications
- Kit consists of 1 sliding lock plate, 2 mounting screws, 2 lock washer, 2 hex nuts
- Order 1 kit per connector



| Descriptions         | Material        | Finish/<br>Treatment         |
|----------------------|-----------------|------------------------------|
| Sliding Lock Plate   | Stainless Steel | Passivated                   |
| Screw, Mounting      | Steel           | Trivalent Chromate over Zinc |
| Washer Lock Nut, Hex |                 |                              |

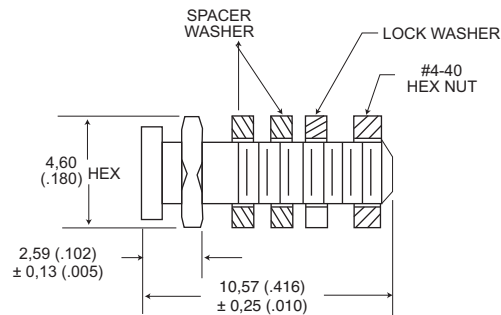
| Shell Size | Layout | Part Number | A<br>± 0,38 (.015) | B<br>± 0,38 (.015) | C<br>± 0,13 (.005) |
|------------|--------|-------------|--------------------|--------------------|--------------------|
| DE         | 9      | DE51224-1   | 35,05 (1.380)      | 12,70 (.500)       | 25,00 (.984)       |
| DA         | 15     | DA51220-1*  | 43,70 (1.720)      | 12,70 (.500)       | 33,32 (1.312)      |
| DB         | 25     | DB51221-1   | 57,40 (2.260)      | 12,70 (.500)       | 47,04 (1.852)      |
| DC         | 37     | DC51222-1   | 73,86 (2.908)      | 12,70 (.500)       | 63,50 (2.500)      |
| DD         | 50     | DD51223-1   | 71,47 (2.814)      | 15,47 (.609)       | 61,11 (2.406)      |

\* Meets IEEE 802.3 Ethernet Specification

## Slide Lock Post Assemblies



- Consists of 1 post, 2 washers, 1 lock washer, and 1 hex nut.<sup>1</sup>
- Order 2 per connector.<sup>2</sup>



| Part Number: | Each <sup>1,2</sup> | Kit of 2 each | Material: Steel, Finish: Chromate/Zinc        |
|--------------|---------------------|---------------|---|
| D53018       | D53018              | D53018-11     |   |
| D53018-14    | D53018-14           | D53018-20     | Material: Stainless Steel, Finish: Passivated |

NOTE: When rear-mounting connector to a 1/16" panel, delete the 2 washer.

## Spring Latch Assemblies

ITT offers the largest variety of locking and latching hardware. Refer to the accessories selection guide on pages 2-3 for use with Cannon backshells.

### Product Features

- Low Cost
- Minimizes field connection time
- Positive lock between connectors
- Packaged 2 kits per bag

Unlocked



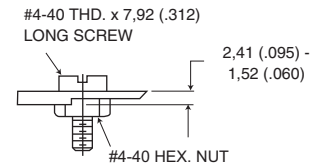
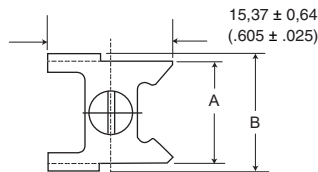
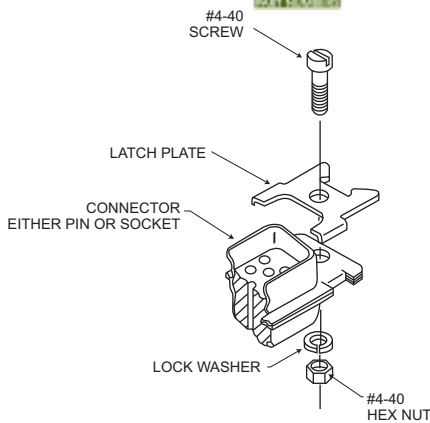
Locked



### Materials and Finishes

|            |                 |
|------------|-----------------|
| Material:  | Stainless Steel |
| Treatment: | Passivated      |

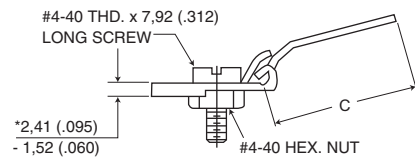
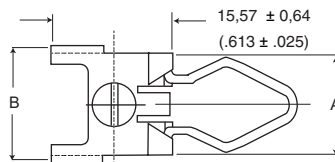
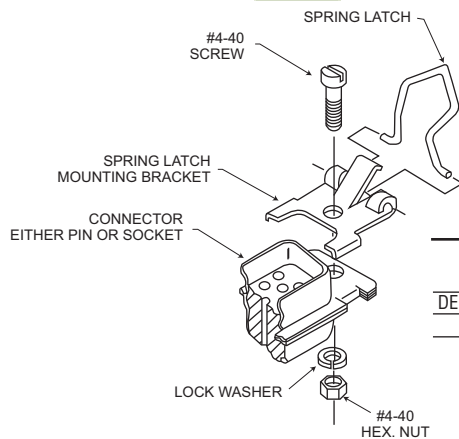
### Spring Latch Plate Assembly



| Shell Size     | Layout       | Part Number | A<br>± 0,38 (.015) | B<br>± 0,38 (.015) | Part Number<br>Kit of 2 each |
|----------------|--------------|-------------|--------------------|--------------------|------------------------------|
| DE, DA, DB, DC | 9,15, 25, 37 | D110278     | 12,42 (.489)       | 14,35 (.565)       | D110278-4                    |
| DD             | 50           | D110280     | 15,47 (.609)       | 17,09 (.673)       | D110280-3                    |

- Kit consists of 1 plate, 1 screw, 1 lock washer, 1 hex nut.
- Order 2 kits per connector.

### Spring Latch Assembly



| Shell Size     | Layout       | Part Number | A<br>± 0,38 (.015) | B<br>± 0,38 (.015) | C<br>± 0,51 (.020) | Part Number<br>Kit of 2 each |
|----------------|--------------|-------------|--------------------|--------------------|--------------------|------------------------------|
| DE, DA, DB, DC | 9,15, 25, 37 | D110277     | 12,42 (.489)       | 14,35 (.565)       | 18,59 (.732)       | D110277-2                    |
| DD             | 50           | D110279     | 15,47 (.609)       | 17,09 (.673)       | 18,59 (.732)       | D110279-3                    |

D110277-4 Rear panel mount version

- Kit consists of 1 spring, 1 screw, 1 bracket, 1 lock washer, 1 hex nut.
- Order 2 kits per connector. Front panel mounting.



Dimensions shown in mm (inch)  
Specifications and dimensions subject to change

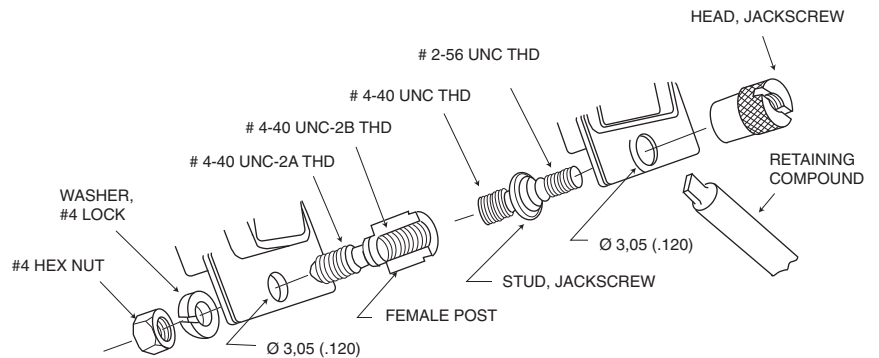
www.ittcannon.com

## Jackscrew/Jackpost Assemblies

ITT offers the largest variety of locking and latching hardware. Refer to the accessories selection guide on pages 2-3 for use with Cannon backshells.

Jackscrew Assembly

Jackpost Assembly

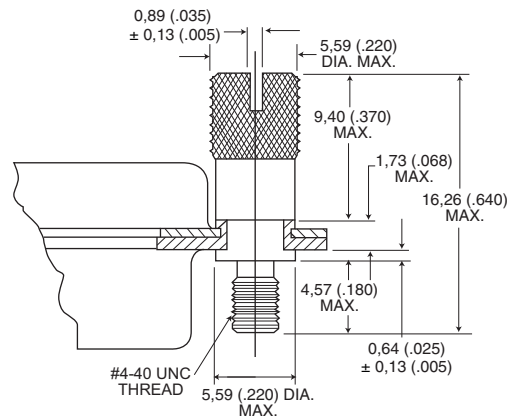


Jackscrew Assembly



- Kit consists of 2 studs, 2 heads,
- 1 tube retaining compound (US only)
- Order one kit per connector

|                        |                 |
|------------------------|-----------------|
| Part Number:           | D110550         |
| Materials and Finishes |                 |
| Material:              | Stainless Steel |
| Treatment:             | Passivated      |

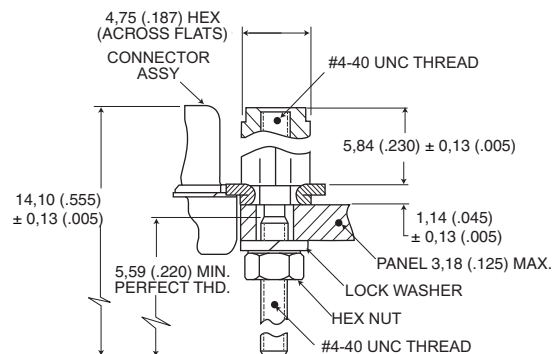


Jackpost Assembly



- Kit consists of 2 posts, 2 hex nuts, 2 lock washer
- Order one kit per connector

|                        |                 |
|------------------------|-----------------|
| Part Number:           | D110551         |
| Materials and Finishes |                 |
| Material:              | Stainless Steel |
| Treatment:             | Passivated      |



NOTE: Jack post is not compatible with rear-panel mount connectors.

Dimensions shown in mm (inch)  
Specifications and dimensions subject to change

www.ittcannon.com



## Guide Pin Plate

Female



- Useful in blind mate applications.
- Kit consists of 1 plate, 2 screws.
- Guide pin inserts for Size 8 cavities for Combo D® connectors also available.

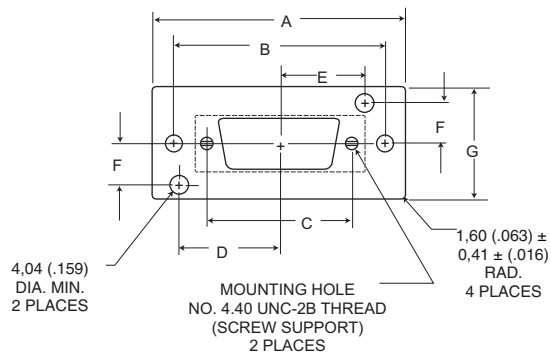
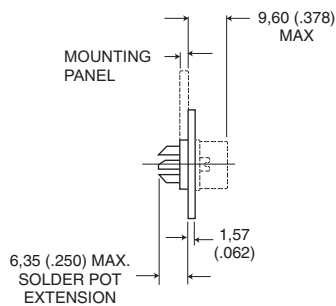
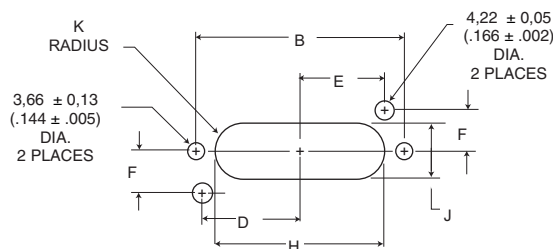


Plate and Hardware Material: Steel  
 Plate and Hardware Finish: Chromate over Zinc

| Shell Size | Layout | Part Number | A<br>±0,41 (.016) | B<br>±0,13 (.005) | C<br>±0,13 (.005) | D<br>±0,13 (.005) | E<br>±0,13 (.005) | F<br>±0,13 (.005) | G<br>±0,41 (.016) | H<br>±0,41 (.016) | J<br>±0,41 (.016) | K<br>±0,41 (.016) |
|------------|--------|-------------|-------------------|-------------------|-------------------|-------------------|-------------------|-------------------|-------------------|-------------------|-------------------|-------------------|
| DE         | 9      | DE111920    | 49,61 (1.953)     | 40,08 (1.578)     | 25,00 (.986)      | 18,65 (.734)      | 15,27 (.601)      | 9,52 (.375)       | 25,40 (1.000)     | 30,58 (1.204)     | 12,29 (.484)      | 6,15 (.242)       |
| DA         | 15     | DA22214     | 57,96 (2.282)     | 48,41 (1.906)     | 33,32 (1.312)     | 22,81 (.898)      | 19,43 (.765)      | 9,52 (.375)       | 25,40 (1.000)     | 38,91 (1.532)     | 12,29 (.484)      | 6,15 (.242)       |
| DB         | 25     | DB22254     | 71,63 (2.820)     | 62,13 (2.446)     | 47,04 (1.852)     | 29,67 (1.168)     | 26,29 (1.035)     | 9,52 (.375)       | 25,40 (1.000)     | 51,21 (2.016)     | 11,91 (.469)      | 5,94 (.234)       |
| DC         | 37     | DC22071     | 88,11 (3.469)     | 78,59 (3.094)     | 63,50 (2.500)     | 37,90 (1.492)     | 34,52 (1.359)     | 9,52 (.375)       | 25,40 (1.000)     | 67,49 (2.657)     | 11,91 (.469)      | 5,94 (.234)       |
| DD         | 50     | DD21961     | 85,72 (3.375)     | 76,20 (3.000)     | 61,11 (2.406)     | 36,50 (1.437)     | 33,32 (1.312)     | 11,10 (.437)      | 28,58 (1.125)     | 65,10 (2.563)     | 14,30 (.563)      | 7,16 (.282)       |

### Recommended Panel Cutout



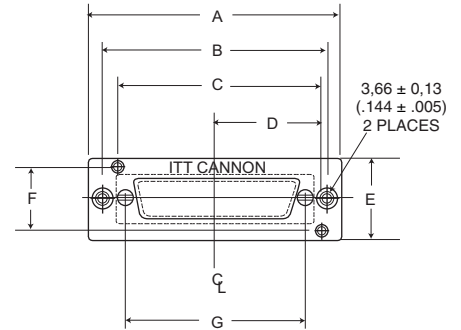
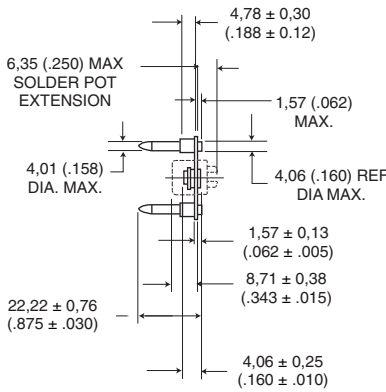


## Guide Pin Plate

Male



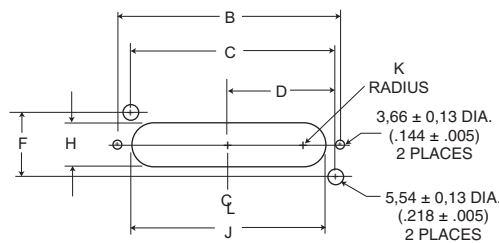
- Useful in blind mate applications.
- Kit consists of 1 plate, 2 sems screws, 2 rivets, 2 guide pins, 2 washer
- Guide pin inserts for Size 8 cavities for Combo D® connectors also available.



|                              |                    |
|------------------------------|--------------------|
| Plate and Hardware Material: | Steel              |
| Plate and Hardware Finish:   | Chromate over Zinc |
| Guide Pin Material:          | Stainless Steel    |

| Shell Size | Layout | Part Number | A ±0,41 (.016) | B ±0,13 (.005) | C ±0,13 (.005) | D ±0,13 (.005) | E ±0,13 (.005) | F ±0,13 (.005) | G ±0,41 (.016) | H ±0,41 (.016) | J ±0,41 (.016) | K ±0,41 (.016) |
|------------|--------|-------------|----------------|----------------|----------------|----------------|----------------|----------------|----------------|----------------|----------------|----------------|
| DE         | 9      | DE111919    | 49,61 (1.953)  | 40,08 (1.578)  | 33,91 (1.335)  | 18,65 (.734)   | 25,40 (1.000)  | 19,05 (.750)   | 25,00 (.984)   | 12,29 (.484)   | 30,58 (1.204)  | 6,15 (.242)    |
| DA         | 15     | DA22213     | 57,96 (2.282)  | 48,41 (1.906)  | 42,24 (1.663)  | 22,81 (.898)   | 25,40 (1.000)  | 19,05 (.750)   | 33,32 (1.312)  | 12,29 (.484)   | 38,89 (1.531)  | 6,15 (.242)    |
| DB         | 25     | DB22255     | 71,63 (2.820)  | 62,13 (2.446)  | 55,96 (2.203)  | 29,67 (1.168)  | 25,40 (1.000)  | 19,05 (.750)   | 47,04 (1.852)  | 12,29 (.484)   | 51,99 (2.047)  | 6,15 (.242)    |
| DC         | 37     | DC22070     | 88,11 (3.469)  | 78,59 (3.094)  | 72,42 (2.851)  | 37,90 (1.492)  | 25,40 (1.000)  | 19,05 (.750)   | 63,50 (2.500)  | 12,29 (.484)   | 68,25 (2.687)  | 6,15 (.242)    |
| DD         | 50     | DD21962     | 85,72 (3.375)  | 76,20 (3.000)  | 69,82 (2.749)  | 36,50 (1.437)  | 28,58 (1.125)  | 22,20 (.874)   | 61,11 (2.406)  | 15,06 (.593)   | 66,93 (2.635)  | 7,52 (.296)    |

### Recommended Panel Cutout



Dimensions shown in mm (inch)  
 Specifications and dimensions subject to change

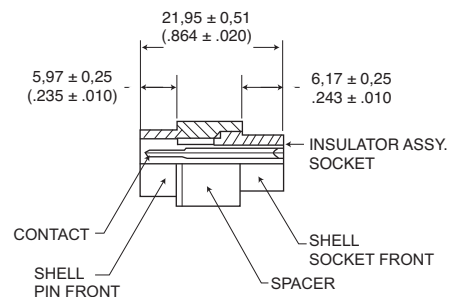
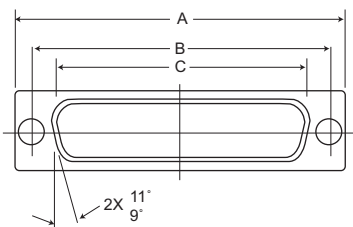
www.ittcannon.com



## Connector Saver



Engaging Face, Pin Side



NOTE: Hardware removed for clarity.

| Shell Size | Layout | Part Number | A<br>± 0,40 (.015) | B<br>± 0,25 (.010) | C<br>± 0,25 (.010) |
|------------|--------|-------------|--------------------|--------------------|--------------------|
| DE         | 9      | DEBMA9PS    | 30,81 (1.213)      | 24,99 (.984)       | 16,92 (.666)       |
| DA         | 15     | DABMA15PS   | 39,14 (1.541)      | 33,32 (1.312)      | 25,25 (.994)       |
| DB         | 50     | DBBMA25PS   | 53,04 (2.088)      | 47,04 (1.852)      | 38,96 (1.534)      |
| DC         | 37     | DCBMA37PS   | 69,32 (2.729)      | 63,50 (2.500)      | 55,42 (2.182)      |
| DD         | 50     | DDBMA50PS   | 66,93 (2.635)      | 61,11 (2.406)      | 52,81 (2.079)      |

## Specifications

Temperature: -55° C to 105° C

Current Rating: 7 A

Dielectric withstanding Voltage: 500 VAC at Sea Level

## Materials and Finishes

| Description      | Material                      | Finish                   |
|------------------|-------------------------------|--------------------------|
| Shells           | Steel                         | Chromate Over Zinc       |
| Insulator        | Black Thermoplastic, UL 94V-0 | —                        |
| Contacts         | Copper Alloy                  | Gold Over Nickel         |
| Spacer           | Zinc Alloy                    | —                        |
| Locking Hardware | Steel                         | Clear Chromate Over Zinc |

# Cannon D-Subminiature Accessories

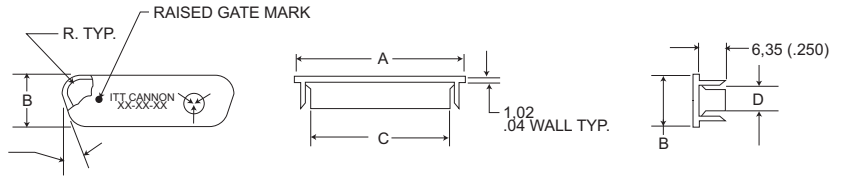
---

Dimensions shown in mm (inch)  
Specifications and dimensions subject to change

[www.ittcannon.com](http://www.ittcannon.com)



## Dust Cap



Dust caps provide protection from moisture and dust for unused I/O ports.

NOTE: C dim. applies at point of maximum Integral interface length. Drawing shown for Black Anti-static caps. Dimensions shown are reference only.

### Product Features

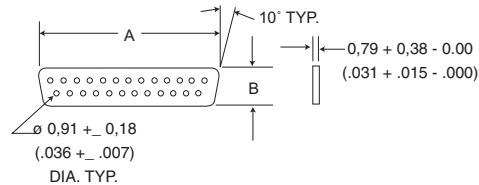
- Conductive Dust Caps provide a surface resistivity of at least  $1 \times 10^9$  ohms/sq
- Dust Caps meet the static decay test requirements of MIL-B- 81705C, Type II.
- Dust Caps have an integral flange for easy application and removal

### Materials and Finishes

Material: Polyethylene

| Black Antistatic | Red Caps   | I.D.   | A             | B            | C             | D            |
|------------------|------------|--------|---------------|--------------|---------------|--------------|
| DE-59-20BA       | DE-59-20RC | Socket | 20,32 (.800)  | 11,43 (.450) | 16,36 (.644)  | 7,59 (2.99)  |
| DA-59-20BA       | DA-59-20RC | Socket | 28,45 (1.120) | 11,68 (.460) | 24,59 (.968)  | 7,62 (.300)  |
| DB-59-20BA       | DB-59-20RC | Socket | 42,42 (1.670) | 11,68 (.460) | 38,25 (1.506) | 7,49 (.295)  |
| DC-59-20BA       | DC-59-20RC | Socket | 58,93 (2.320) | 11,68 (.460) | 54,81 (2.158) | 7,37 (.290)  |
| DD-59-20BA       | DD-59-20RC | Socket | 56,90 (2.240) | 14,48 (.570) | 53,11 (2.091) | 10,41 (.410) |
| DE-60-20BA       | DE-60-20RC | Pin    | 21,84 (.860)  | 12,95 (.510) | 17,78 (.700)  | 8,92 (.351)  |
| DA-60-20BA       | DA-60-20RC | Pin    | 30,48 (1.200) | 12,95 (.510) | 26,52 (1.044) | 9,02 (.355)  |
| DB-60-20BA       | DB-60-20RC | Pin    | 44,20 (1.740) | 13,46 (.530) | 39,60 (1.559) | 9,09 (.358)  |
| DC-60-20BA       | DC-60-20RC | Pin    | 60,71 (2.390) | 13,46 (.530) | 56,90 (2.240) | 9,37 (.369)  |
| DD-60-20BA       | DD-60-20RC | Pin    | 58,17 (2.290) | 16,00 (.630) | 54,28 (2.137) | 12,04 (.474) |

## Interfacial Seal



Interfacial seals provide moisture resistance at the mating interface.

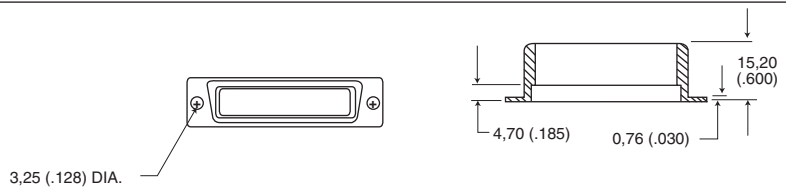
### Product Features

- Other Interfacial Seals in the Combo D® layout are available upon request.

Material: Silastic Sheet

| Shell Size | Layout | Part Number  | A             | B            |
|------------|--------|--------------|---------------|--------------|
| DE         | 9      | DE53750      | 16,66 (.656)  | 8,41 (.331)  |
| DA         | 15     | DA53750-1    | 24,99 (.984)  | 8,41 (.331)  |
| DB         | 25     | DB53750-2    | 38,88 (1.531) | 8,41 (.331)  |
| DC         | 37     | DC53750-3    | 55,14 (2.171) | 8,41 (.331)  |
| DD         | 50     | DD53750-4    | 52,78 (2.078) | 11,10 (.437) |
| DC         | 21WA4  | 075-0354-003 | 55,14 (2.171) | 8,41 (.331)  |
| DE         | 15     | 273-0333-000 | 16,66 (.656)  | 8,41 (.331)  |
| DA         | 26     | 273-0334-000 | 24,99 (.984)  | 8,41 (.331)  |
| DB         | 44     | 273-0335-000 | 38,88 (1.531) | 8,41 (.331)  |
| DC         | 62     | 273-0336-000 | 55,14 (2.171) | 8,41 (.331)  |

## Potting Shell



Potting shells are molded with a thin flange 0,76 (.030) to permit the use of D Submarine locking devices.

### Materials and Finishes

Material: Nylon

Color: Natural (white)

| Shell Size | Layout | Part Number |
|------------|--------|-------------|
| DE         | 9      | DE50904-1   |
| DA         | 15     | DA50905-1   |
| DB         | 25     | DB50906-1   |
| DC         | 37     | DC50907-1   |
| DD         | 50     | DD50908-1   |



Dimensions shown in mm (inch)  
Specifications and dimensions subject to change

www.ittcannon.com

# Cannon D-Subminiature Accessories

| StandardRoHS<br>Part # | Page<br>Part # | #  | StandardRoHS<br>Part # | Page<br>Part # | #  | StandardRoHS<br>Part # | Page<br>Part # | #  |
|------------------------|----------------|----|------------------------|----------------|----|------------------------|----------------|----|
| 075-0354-003           | Same           | 20 | DA121073-50            | Same           | 4  | DC24660                | DC24660-4      | 7  |
| 250-8501-004           | Same           | 5  | DA19678-1              | DA19678-212    | 8  | DC50907-1              | Same           | 20 |
| 250-8501-009           | Same           | 5  | DA19977-1              | DA19977-68     | 8  | DC51214                | Same           | 10 |
| 250-8501-010           | Same           | 5  | DA20961                | DA20961-26     | 7  | DC51215                | Same           | 10 |
| 250-8501-013           | Same           | 5  | DA22213                | Same           | 17 | DC51222-1              | Same           | 13 |
| 273-0333-000           | Same           | 20 | DA22214                | Same           | 16 | DC53750-3              | Same           | 20 |
| 273-0334-000           | Same           | 20 | DA24658                | DA24658-28     | 7  | DC-59-20               | Same           | 20 |
| 273-0335-000           | Same           | 20 | DA50905-1              | Same           | 20 | DC-60-20               | Same           | 20 |
| 273-0336-000           | Same           | 20 | DA51210                | Same           | 10 | DCBMA37PS              | Same           | 18 |
| 273-0337-000           | Same           | 20 | DA51211                | Same           | 10 | DD115339-24            | Same           | 9  |
| 980-2000-345           | Same           | 6  | DA51220-1              | Same           | 13 | DD121073-153           | Same           | 4  |
| 980-2000-346           | Same           | 6  | DA53750-1              | Same           | 20 | DD121073-53            | Same           | 4  |
| 980-2000-347           | Same           | 6  | DA-59-20               | Same           | 20 | DD19678-4              | DD19678-215    | 8  |
| 980-2000-348           | Same           | 6  | DA-60-20               | Same           | 20 | DD19977-4              | DD19977-71     | 8  |
| 980-2000-350           | Same           | 10 | DABMA15PS              | Same           | 18 | DD20964                | DD20964-32     | 7  |
| 980-2000-351           | Same           | 10 | DABS-15                | Same           | 9  | DD21961                | Same           | 16 |
| 980-2000-352           | Same           | 10 | DB111807-1             | Same           | 19 | DD21962                | Same           | 17 |
| 980-2000-353           | Same           | 10 | DB111807-5             | Same           | 19 | DD24661                | DD24661-3      | 7  |
| 980-2000-354           | Same           | 10 | DB111807-5             | Same           | 19 | DD50908-1              | Same           | 20 |
| 980-2000-355           | Same           | 10 | DB111811               | Same           | 19 | DD51216                | Same           | 10 |
| D110277                | Same           | 14 | DB115339-22            | Same           | 9  | DD51217                | Same           | 10 |
| D110278                | Same           | 14 | DB121073-151           | Same           | 4  | DD51223-1              | Same           | 13 |
| D110279                | Same           | 14 | DB121073-51            | Same           | 4  | DD53750-4              | Same           | 20 |
| D110280                | Same           | 14 | DB19678-2              | DB19678-213    | 8  | DD-59-20               | Same           | 20 |
| D110550                | Same           | 15 | DB19977-2              | DB19977-69     | 8  | DD-60-20               | Same           | 20 |
| D110551                | Same           | 15 | DB20962                | DB20962-30     | 7  | DDBMA50PS              | Same           | 18 |
| D121073-19             | Same           | 5  | DB22254                | Same           | 16 | DE111805-1             | Same           | 19 |
| D121073-39             | Same           | 12 | DB22255                | Same           | 17 | DE111805-5             | Same           | 19 |
| D121073-42             | Same           | 12 | DB24659                | DB24659-27     | 7  | DE111805-5             | Same           | 19 |
| D20418-2               | D20418-134     | 12 | DB50906-1              | Same           | 20 | DE111813               | Same           | 19 |
| D20418-39              | D20418-136     | 12 | DB51212                | Same           | 10 | DE111919               | Same           | 17 |
| D20418-50              | D20418-135     | 12 | DB51213                | Same           | 10 | DE111920               | Same           | 16 |
| D20418-74              | D20418-137     | 12 | DB51221-1              | Same           | 13 | DE115339-20            | Same           | 9  |
| D20419                 | D20419-211     | 11 | DB53750-2              | Same           | 20 | DE121073-154           | Same           | 4  |
| D20419-104             | D20419-214     | 11 | DB-59-20               | Same           | 20 | DE121073-54            | Same           | 4  |
| D20419-18              | D20419-212     | 11 | DB-60-20               | Same           | 20 | DE19977-5              | DE19977-72     | 8  |
| D20419-21              | D20419-213     | 11 | DBBMA25PS              | Same           | 18 | DE24657                | DE24657-29     | 7  |
| D20420                 | D20420-157     | 11 | DBBS-25                | Same           | 9  | DE44994                | DE44994-14     | 7  |
| D20420-13              | D20420-158     | 11 | DC111808-1             | Same           | 19 | DE50904-1              | Same           | 20 |
| D20420-15              | D20420-159     | 11 | DC111808-5             | Same           | 19 | DE51218                | Same           | 10 |
| D20420-86              | D20420-160     | 11 | DC115339-23            | Same           | 9  | DE51219                | Same           | 10 |
| D53018                 | Same           | 13 | DC121073-152           | Same           | 4  | DE51224-1              | Same           | 13 |
| DA111806-1             | Same           | 19 | DC121073-52            | Same           | 4  | DE53750                | Same           | 20 |
| DA111806-5             | Same           | 19 | DC19678-3              | DC19678-214    | 8  | DE-59-20               | Same           | 20 |
| DA111806-5             | Same           | 19 | DC19977-3              | DC19977-70     | 8  | DE-60-20               | Same           | 20 |
| DA111810               | Same           | 19 | DC20963                | DC20963-27     | 7  | DEBMA9PS               | Same           | 18 |
| DA115339-21            | Same           | 9  | DC22070                | Same           | 17 | DEBS-9                 | Same           | 9  |
| DA121073-150           | Same           | 4  | DC22071                | Same           | 16 |                        |                |    |

# Product Safety Information

## 1. MATERIAL CONTENT AND PHYSICAL FORM

Electrical connectors do not usually contain hazardous materials. They contain conducting and non-conducting materials and can be divided into two groups.

a) Printed circuit types and low cost audio types which employ all plastic insulators and casings.

b) Rugged, Fire Barrier and High Reliability types with metal casings and either natural rubber, synthetic rubber, plastic or glass insulating materials. Contact materials vary with type of connector and also application and are usually manufactured from either: Copper, copper alloys, nickel, alumel, chromel or steel. In special applications, other alloys may be specified.

## 2. FIRE CHARACTERISTICS AND ELECTRIC SHOCK HAZARD

**There is no fire hazard when the connector is correctly wired and used within the specified parameters. Incorrect wiring or assembly of the connector or careless use of metal tools or conductive fluids, or transit damage to any of the component parts may cause electric shock or burns. Live circuits must not be broken by separating mated connectors as this may cause arcing, ionization and burning.** Heat dissipation is greater at maximum resistance in a circuit. Hot spots may occur when resistance is raised locally by damage, e.g. cracked or deformed contacts, broken strands of wire. Local overheating may also result from the use of the incorrect application tools or from poor quality soldering or slack screw terminals. Overheating may occur if the ratings in the product Data Sheet/Catalog are exceeded and can cause breakdown of insulation and hence electric shock. If heating is allowed to continue it intensifies by further increasing the local resistance through loss of temper of spring contacts, formation of oxide film on contacts and wires and leakage currents through carbonization of insulation and tracking paths. Fire can then result in the presence of combustible materials and this may release noxious fumes. Overheating may not be visually apparent. Burns may result from touching overheated components.

## 3. HANDLING

Care must be taken to avoid damage to any component parts of electrical connectors during installation and use. Although there are normally no sharp edges, care must be taken when handling certain components to avoid injury to fingers. Electrical connectors may be damaged in transit to the customers, and damage may result in creation of hazards. Products should therefore be examined prior to installation/use and rejected if found to be damaged.

## 4. DISPOSAL

Incineration of certain materials may release noxious or even toxic fumes.

## 5. APPLICATION

Connectors with exposed contacts should not be selected for use on the current supply side of an electrical circuit, because an electric shock could result from touching exposed contacts on an unmated connector. Voltages in excess of 30 V ac or 42.5 V dc are potentially hazardous and care should be taken to ensure that such voltages cannot be transmitted in any way to exposed metal parts of the connector body. The connector and wiring should be checked, before making live, to have no damage to metal parts or insulators, no solder blobs, loose strands, conducting lubricants, swarf, or any other undesired conducting particles. Circuit resistance and continuity check should be made to make certain that there are no high resistance joints or spurious conducting paths. Always use the correct application tools as specified in the Data Sheet/Catalog. Do not permit untrained personnel to wire, assemble or tamper with connectors. For operation voltage please see appropriate national regulations.

## IMPORTANT GENERAL INFORMATION

**(i) Air and creepage paths/Operating voltage.** The admissible operating voltages depend on the individual applications and the valid national and other applicable safety regulations.

For this reason the air and creepage path data are only reference values. Observe reduction of air and creepage paths due to PC board and/or harnessing.

## **(ii) Temperature**

All information given are temperature limits. The operation temperature depends on the individual application.

## **(iii) Other important information**

ITT continuously endeavors to improve their products. Therefore, Cannon products may deviate from the description, technical data and shape as shown in this catalog and data sheets.

“Engineered for life” and “Cannon” are registered trademarks of ITT Corporation ©2007. All data subject to change without notice.

## PRODUCT WARRANTY

ITT Electronic Components, a division of ITT Corporation, manufactures the highest quality products available in the marketplace; however these products are intended to be used in accordance with the specifications in this publication. Any use or application that deviates from the stated operating specifications is not recommended and may be unsafe. No information and data contained in this publication shall be construed to create any liability on the part of ITT. Any new issue of this publication shall automatically invalidate and supersede any and all previous issues. A limited warranty applies to Cannon products. Except for obligations assumed by ITT under this warranty, ITT shall not be liable for any loss, damage, cost of repairs, incidental or consequential damages of any kind, whether or not based on express or implied warranty, contract, negligence or strict liability arising in connection with the design, manufacture, sale, use or repair of the products. Product availability, prices and delivery dates are exclusively subject to our respective order confirmation form; the same applies to orders based on development samples delivered. This publication is not to be construed as an offer. It is intended merely as an invitation to make an offer. By this publication, ITT does not assume responsibility or any liability for any patent infringements or other rights of third parties which may result from its use. Reprinting this publication is generally permitted, indicating the source. However, ITT's prior consent must be obtained in all cases.



---

## Rack & Panel Connectors

ITT is the world leader in rack and panel connectors, offering unmatched variety of shell configurations and insert arrangements, materials, plating and contact options. Many of our standard and custom designs meet the stringent requirements of ARINC 600, ARINC 404 (MIL-C-81659), and MIL-DTL-83733 standards.



[www.ittcannon.com/rackandpanel](http://www.ittcannon.com/rackandpanel)

---

## Circular/Filter/Hermetic Connectors

As a world leader in circular, filter and hermetic connectors, ITT can leverage its design and manufacturing expertise to fit virtually any application. Our expertise includes fast positive mating for a wide range of military applications, as well as numerous sizes and contact configuration for various harsh environments. ITT can also meet numerous specs, including NATO and MIL standards.



[www.ittcannon.com/circulars](http://www.ittcannon.com/circulars) • [www.ittcannon.com/filter](http://www.ittcannon.com/filter) • [www.ittcannon.com/hermetics](http://www.ittcannon.com/hermetics)

---

## D-Subminiature Connectors

Cannon invented D-sub connectors in 1952. Our family of D-Subs now includes combinations of signal, power and RF, as well as severe service sealed connectors. Cannon D-Subs are available with an extensive line of backshells and accessories and are one of the most economical shielded connector solutions available. Qualified to the MIL-DTL-24308 specification.



[www.ittcannon.com/dsubs](http://www.ittcannon.com/dsubs)

---

## Fiber Optic Connectors and Cable Assemblies

Cannon fiber optic solutions provide an excellent performance/cost value. Performance can be tailored to the end system, and our use of superior materials and bonding agents provides highly effective solutions. Our wide variety of products includes fiber optic hybrid contacts, multi-channel, rack and panel, and hi-rel assemblies, including MIL and ARINC standard solutions.



[www.ittcannon.com/fiberoptics](http://www.ittcannon.com/fiberoptics)

---

## Microminiature Connectors

Cannon microminiature connectors offer high performance and reliability with exceptional versatility. Available in rectangular, circular and strip configurations for countless applications, many of our connectors meet or exceed applicable requirements of the MIL-DTL-83513 specification.



[www.ittcannon.com/micro](http://www.ittcannon.com/micro)

---

ITT's Electronic Components business ([www.ittcannon.com](http://www.ittcannon.com)) is an international supplier of connectors, interconnects, cable assemblies, I/O card kits and smart card systems. As a worldwide leader in connector technology for nearly a century, ITT offers one of the industry's broadest product offerings, manufacturing capability worldwide, fast time to market, high volume/high yield capacity, robust design and Value-Based Product Development and an extensive sales and customer support network.



**ITT**



# ITT

## **Customer Support Locations**

### ASIA

Tuopandun Industrial Area, Jinda Cheng,  
Xiner Village, Shajing Town,  
Baoan District, Shenzhen City,  
Guangdong, China 518125  
Tel: +86 755 2726 7238  
Fax: +86 755 2726 7515

### GERMANY

Cannonstrasse 1  
Weinstadt, 71384  
Tel: +49.7151.699.0  
Fax: +49.7151.699.217

### ITALY

Corso Europa 41/43  
Lainate (MI),  
Italy 20020  
Tel: +39.02938721  
Fax: +39.0293872300

### UK

Jays Close, Viables Estate  
Basingstoke, Hants, RG22 4BA  
Tel: +44.1256.311200  
Fax: +44.1256.323356

### USA

666 East Dyer Road  
Santa Ana, CA 92705  
Tel: 714.557.4700  
Fax: 714.628.2142



## X-ON Electronics

Largest Supplier of Electrical and Electronic Components

*Click to view similar products for [D-Sub MIL Spec Connectors](#) category:*

*Click to view products by [ITT](#) manufacturer:*

Other Similar products are found below :

[M24308/4-13Z](#) [M8351307-B](#) [D38999/20FJ43HN](#) [D38999/24WG11PB-LC](#) [D38999/24WG41HN](#) [MDM-15PH041P](#) [MDM-21PH041P](#) [MDM-21SH003B-K139](#) [850-056-0812](#) [1218697-4](#) [DBMM25S](#) [MS27467T21F41S](#) [17D25HV](#) [1996840-1](#) [243082-15](#) [1663962-1](#) [1757682-1](#) [17D-E51218-1](#) [17SDA15S](#) [1883533-1](#) [1883886-1](#) [1883889-1](#) [192900-0377](#) [308-CP6P0441-024H](#) [M24308/2-3Z](#) [M24308/4-3Z](#) [M24308/4-4F](#) [M24308/4-4Z](#) [M24308/8-347](#) [M83513/03-E09C](#) [M83723/75W2212N L/C](#) [D38999/24FJ29PN-LC](#) [D38999/24WG11SB-LC](#) [MDM-21PH046P](#) [5-1218949-1](#) [550-031NF1R6K](#) [550E001NF1R3J0L](#) [550T001NF1R6K0L](#) [557T283NF5B08](#) [C115368-1612B](#) [C115370-1717B](#) [DC121073157](#) [443869-3](#) [443869-4](#) [443869-5](#) [550S004NF1R1B0F03](#) [550-031NF1R2E](#) [550E003M2R9J0F04](#) [550E003M3R9J0F05](#) [550E024M104R9J0](#)