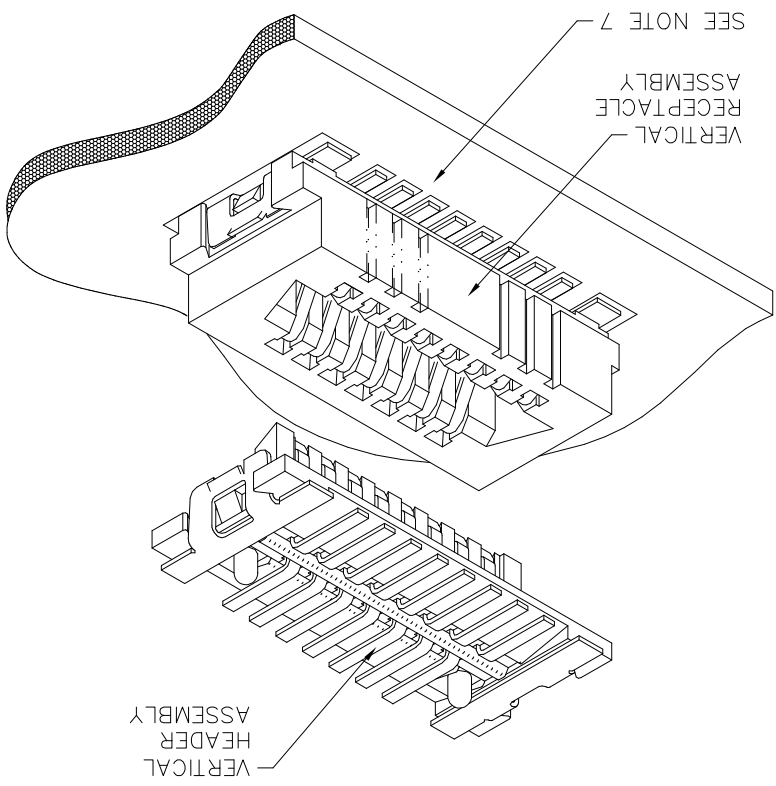
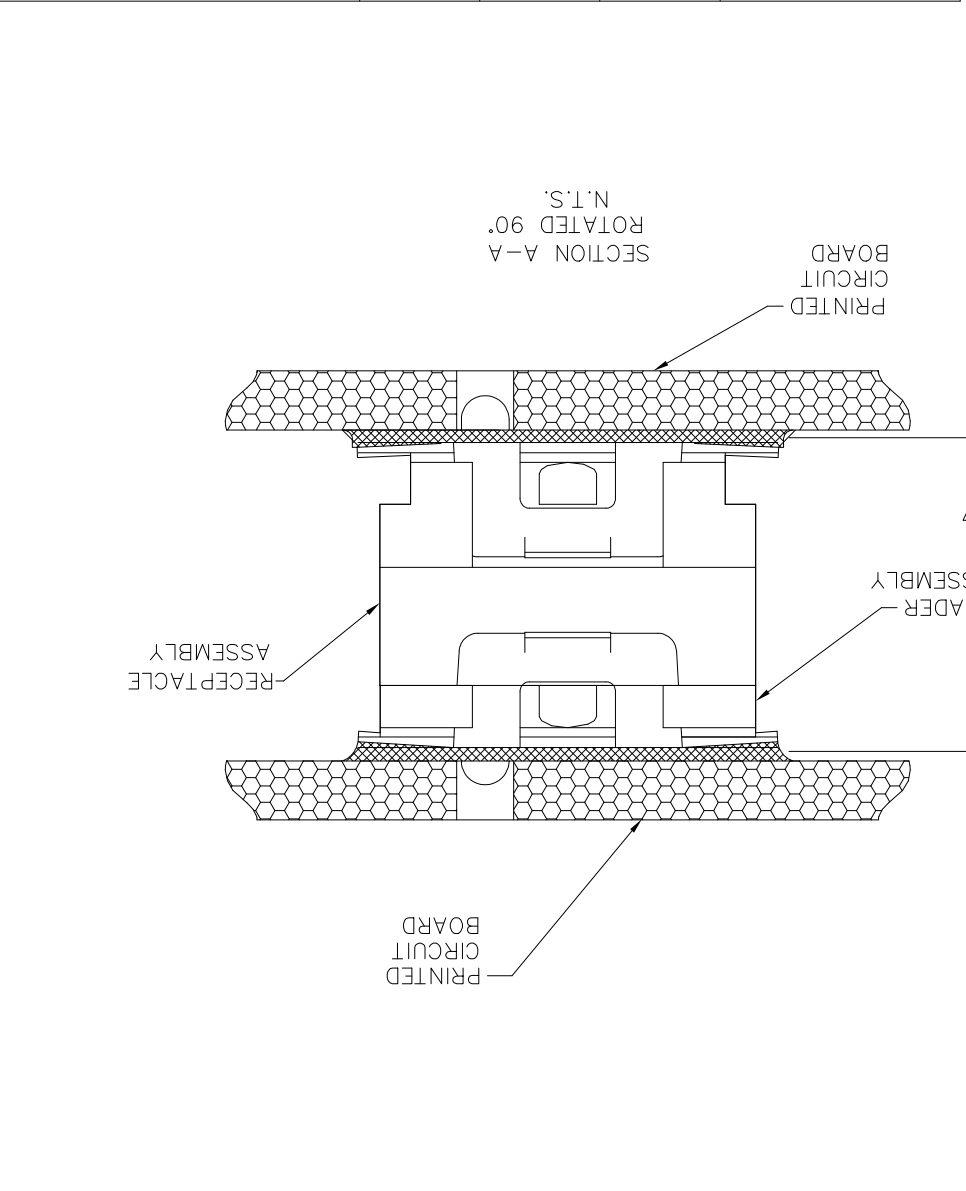
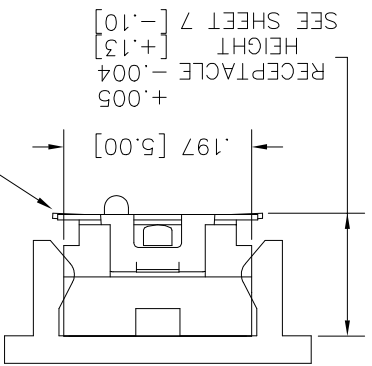
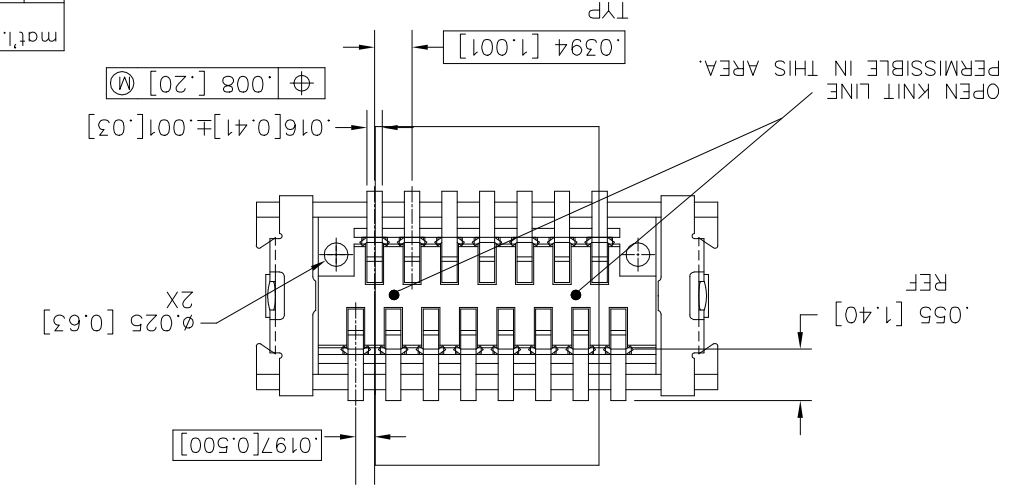
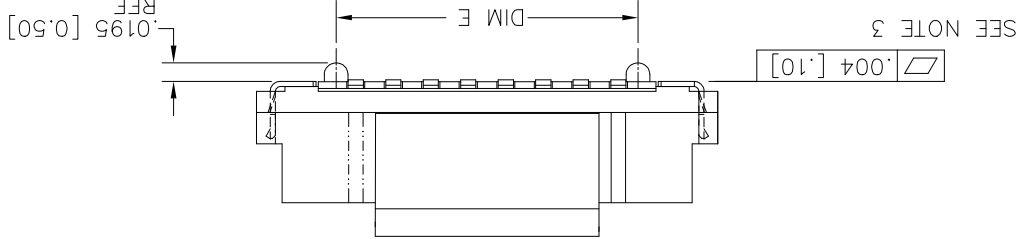
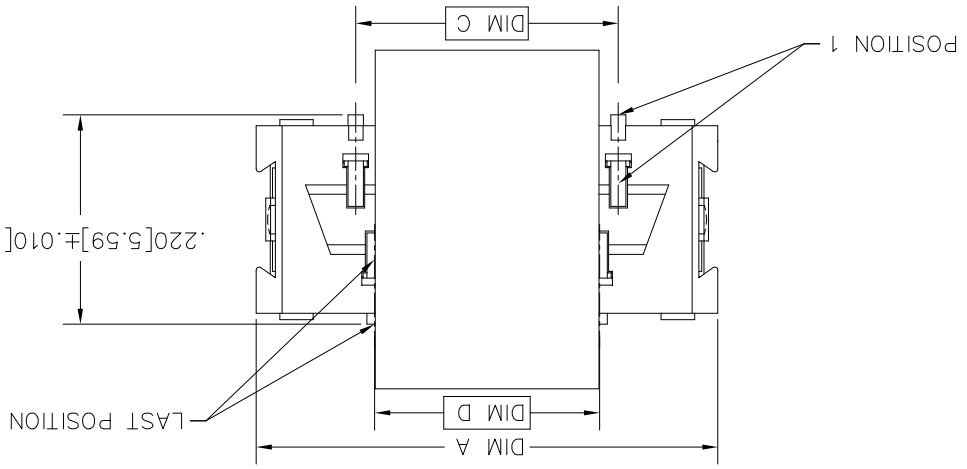


mat'l. code	surface	ISO 1302	tolerance	ISO 406 ISO 1101	projection	product family	CONAN®
itr	ecn no	dr	date	tolerances unless otherwise specified	title	CONAN® CONNECTOR ASSEMBLY	CONAN®
AG	ELX-N-14208	GM	03/07/13	.0±.30	INCH/MM	CONAN® CONNECTOR ASSEMBLY	CONAN®
AH	ELX-N-22454	EH	10/11/15	.00±.20	INCH/MM	CONAN® CONNECTOR ASSEMBLY	CONAN®
AJ	-	EH	12/12/15	0±x	scale 1:1	CONAN® CONNECTOR ASSEMBLY	CONAN®
AK	ELX-N-26578	TONY	04/07/17	dr	Eric Huang	10/11/15	10/11/15
AL	ELX-N-26810	TONY	04/26/17	engr	Eric Huang	10/11/15	10/11/15
AF	M08-0287	MHT	10/02/08	appd	Tim Yao	10/11/15	10/11/15
sheet	revision	AL	AL	AL	AL	AL	AL
index	sheet	1	2	3	4	5	6

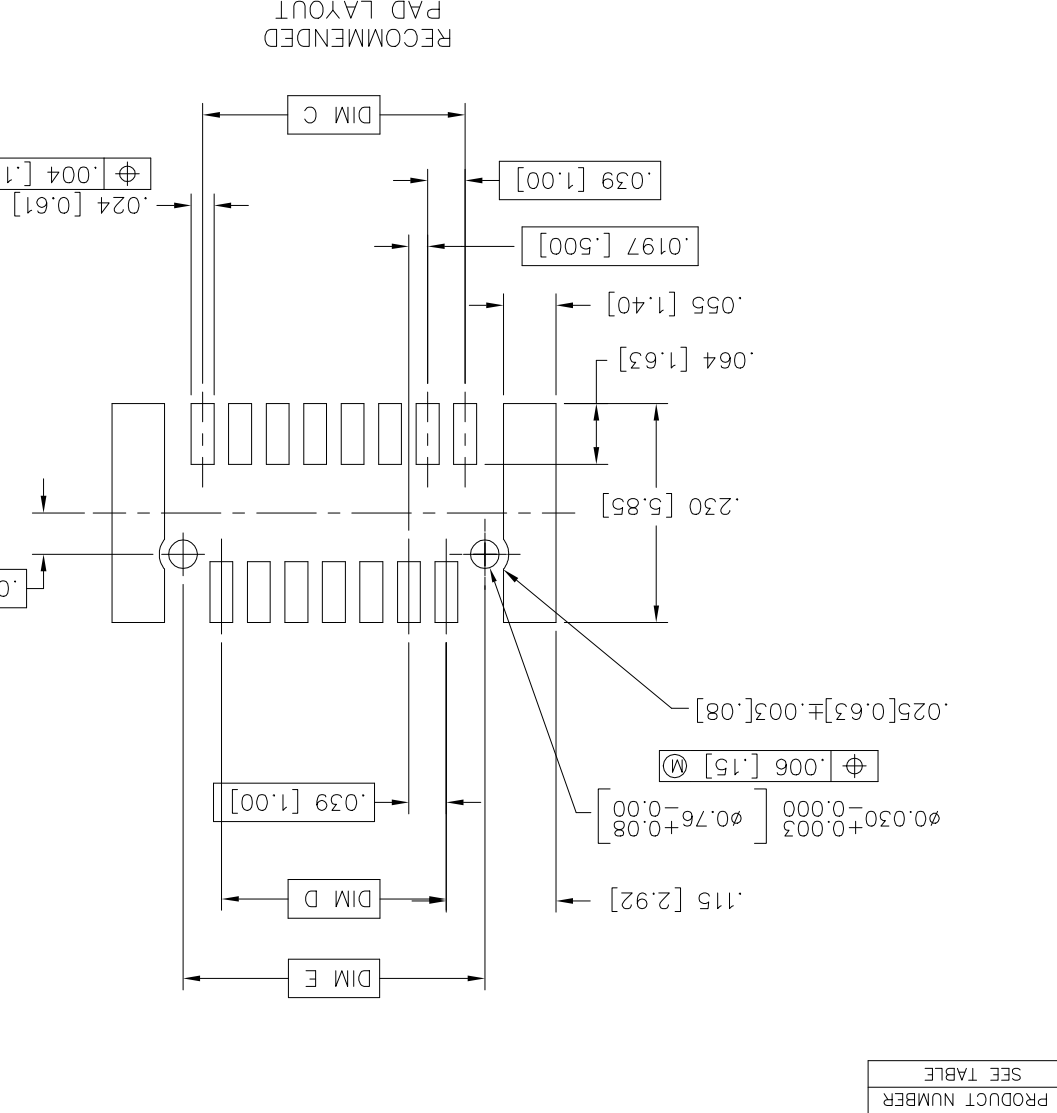
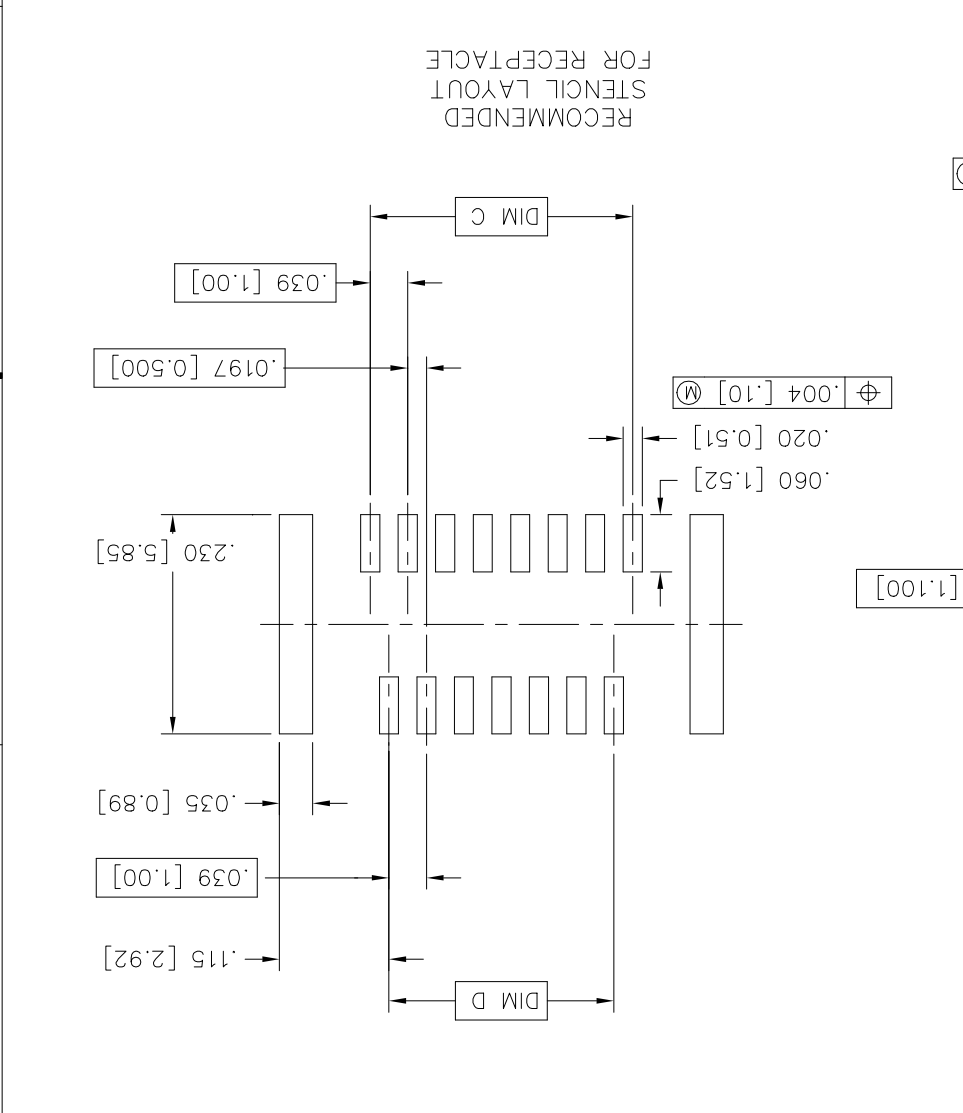


PRODUCT NUMBER  
SEE TABLE



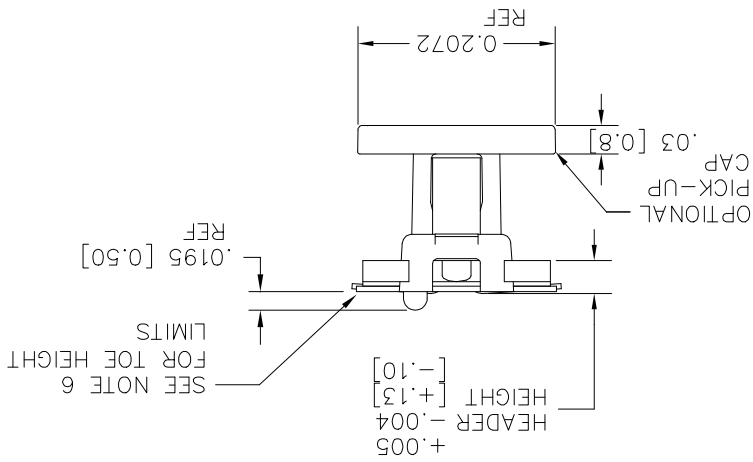
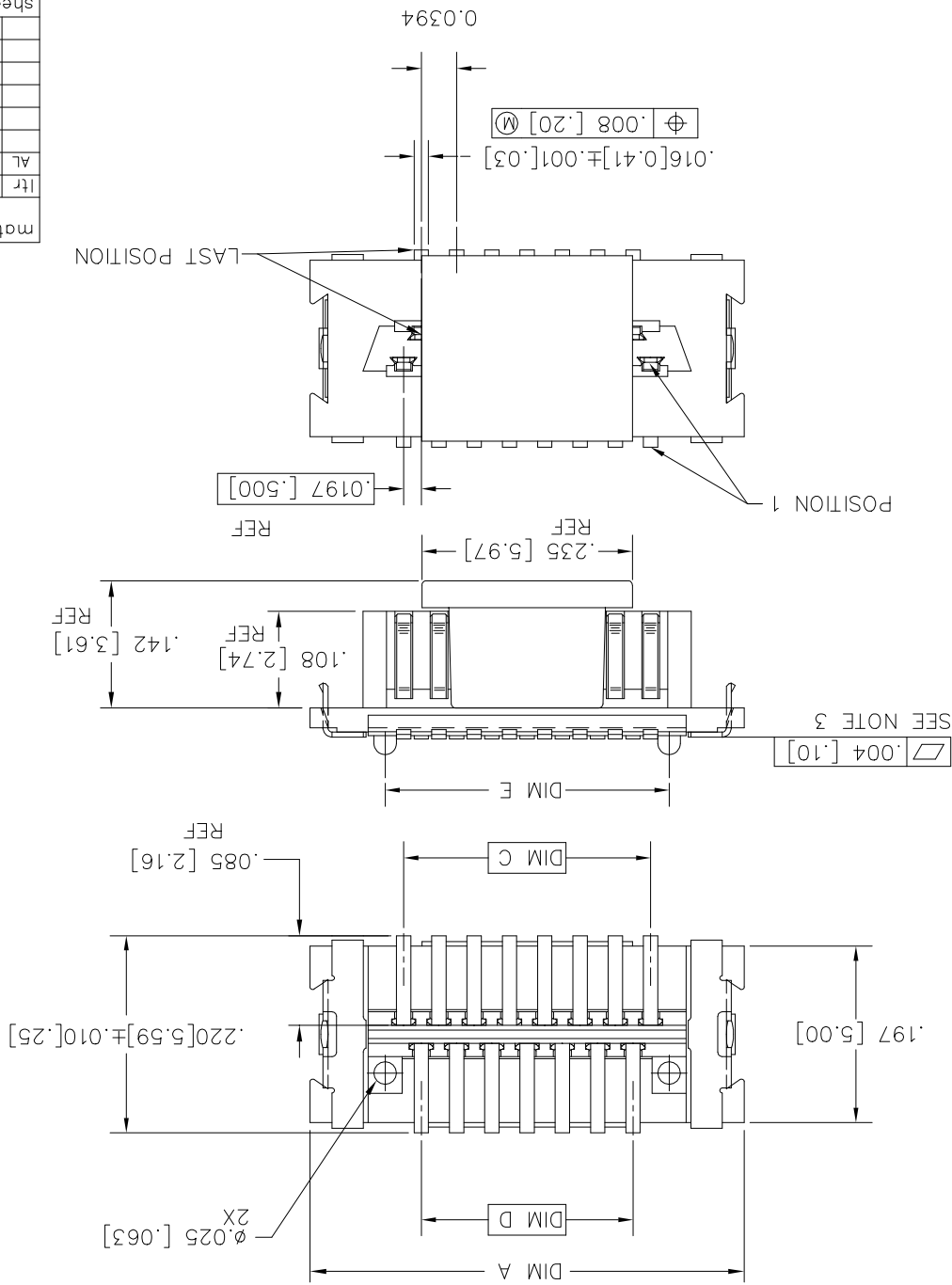
mat'l. code		surface	tolerance	projection	product family	CONAN®
itr ecn no dr date		ISO 1302	ISO 406	ISO 1101	title	CONAN®
angles		lineer	.00±.20	INCH/MM	CONAN® CONNECTOR ASSEMBLY	
0.7x		.000±.10	scale 1:1	dwg no 91900		
sheet revision		oppd	Tim Yao	10/11/15	type Product Customer Drawing	
index sheet		chr			sheet 2 of 7 size A3	
		engr	Eric Huang	10/11/15		
		dr	Eric Huang	10/11/15		

mat'l. code	surface	ISO 1302	tolerance	ISO 406	ISO 1101	projection	product family	CONAN®
itr	ecn no	dr	date	tolerances unless otherwise specified			title	CONAN® CONNECTOR ASSEMBLY
AL			angles	linear	.005±.020	INCH/MM	scale 1:1	
			0.7x		.000±.10			
		dr	Eric Huang	10/11/15			dwg no	91900
		engr	Eric Huang	10/11/15			type	Product Customer Drawing
		chr					sheet	
		oppd	Tim Yao	10/11/15			revision	
sheet	index	sheet						



PRODUCT NUMBER  
SEE TABLE

PRODUCT NUMBER  
SEE TABLE



mat'l. code		surface	tolerance	projection	product family	CONAN®
itr ecn no dr date		ISO 1302	ISO 406	ISO 1101	title	
angles		linear	.005±.20	INCH/MM	CONAN® CONNECTOR ASSEMBLY	
0.7x		tolerances unless otherwise specified	.000±.10	scale 1:1	dwg no 91900	
dr Eric Huang 10/11/15		Amphenol FCI		type Product Customer Drawing		
engr Eric Huang 10/11/15		sheet		sheet 4 of 7 size A3		
oppd Tim Yao 10/11/15		revision		sheet		
index		revision		sheet		

STATUS:Released Printed: Apr 28, 2017

PDS: Rev:AL

6

C

B

A

6

5

5

4

2 3

2

2 3

1

1

1

1

D

C

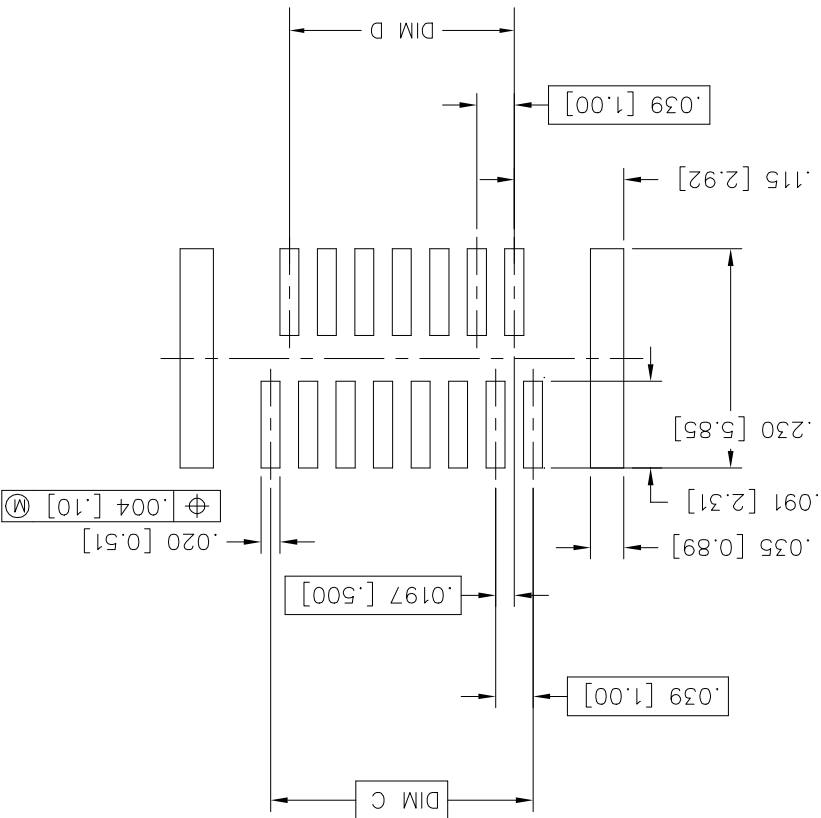
B

A

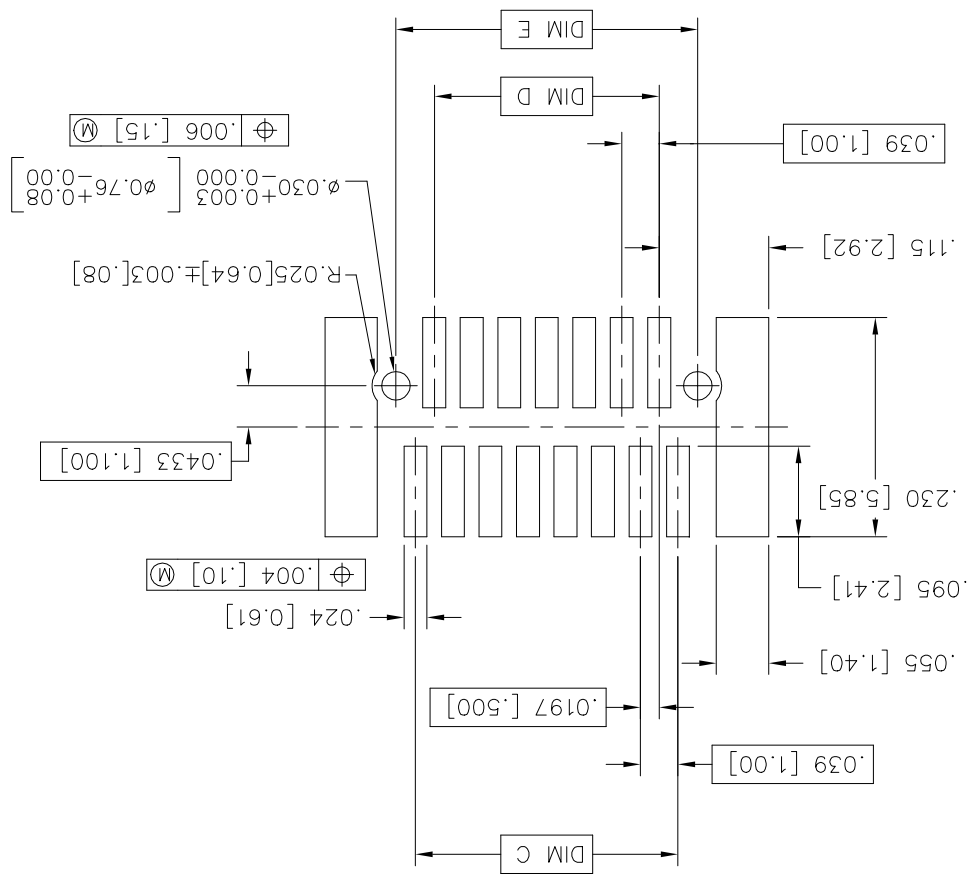
D

mat'l. code	surface	ISO 1302	tolerance	ISO 406	ISO 1101	projection	product family	CONAN®
itr	ecn no	dr	date	tolerances unless otherwise specified	INCH/MM	scale 1:1	title	CONAN® CONNECTOR ASSEMBLY
AL	angles	linear	.00±.20	.0±.30	INCH/MM	scale 1:1	dwg no	91900
	0.7x	dr	Eric Huang	10/11/15	type	Product Customer Drawing	sheet	
		chr	Tim Yao	10/11/15	revision	index		

RECOMMENDED  
STENCIL LAYOUT  
FOR HEADER



RECOMMENDED  
PAD LAYOUT



PRODUCT NUMBER  
SEE TABLE

PRODUCT NUMBER	POS	DIM "A"	DIM "C"	DIM "D"	DIM "E"
9191C-WX109	9	.366 [9.30]	.157 [4.00]	.118 [3.00]	.1990 [5.055]
		-WX111LF			
		-WX111	.406 [10.30]	.197 [5.00]	.2380 [6.045]
		-WX115			
		-WX115LF	.484 [12.30]	.276 [7.00]	.3170 [8.052]
		-WX121			
		-WX121LF	.602 [15.30]	.394 [10.00]	.4350 [11.049]
		-WX125			
		-WX125LF	.681 [17.30]	.472 [12.00]	.5140 [13.056]
		-WX131			
		-WX131LF	.800 [20.30]	.591 [15.00]	.6320 [16.053]
		-WX141			
		-WX141LF	.996 [25.30]	.787 [20.00]	.8290 [21.057]
		-WX151			
		-WX151LF	1.193 [30.30]	.984 [25.00]	.945 [24.00]
		-WX169			
		-WX169LF	1.547 [39.30]	1.339 [34.00]	1.299 [33.00]
	69				1.3800 [35.052]

- NOTES:
- MATERIALS:  
RECEPTACLE HOUSING - LCP, UL-94V-0. COLOR: NATURAL.  
RECEPTACLE TERMINALS - COPPER ALLOY,  
PLATED WITH 15u"/.38u GXTM IN CONTACT AREA  
AND 100u"/2.54u Sn ON SOLDER LEGS WITH  
AN OVERALL 50u"/1.27u Ni UNDERPLATE.
  - HEADER HOUSING - LCP, UL-94V-0. COLOR: NATURAL.  
HEADER TERMINALS - COPPER ALLOY,  
PLATED WITH 15u"/.38u GXTM IN CONTACT AREA  
AND 100u"/2.54u Sn ON SOLDER LEGS WITH  
AN OVERALL 50u"/1.27u Ni UNDERPLATE.
  - RETENTION DEVICE - BRASS,  
PLATED WITH 100u"/2.54u Sn OVER NICKEL.
  - REFERENCE GS-12-006 FOR PRODUCT PERFORMANCE DATA.
  - SEE TA-774 FOR FURTHER DESCRIPTION OF  
HOW THIS DIMENSION IS APPLIED.
  - PICK AND PLACE CAP OR TAPE IS ONLY AVAILABLE WITH  
OPTION 3 PACKAGING. (PSA ADHESIVE SEALED).  
ALSO, PSA PACKAGING REQUIRES A PICK AND  
PLACE CAP.
  - RECOMMENDED SOLDER PASTE THICKNESS IS  
.006 TO .008 INCHES THICK.
  - THE TOE HEIGHT OF THE SOLDER TAIL SHALL BE  
MEASURED FROM THE LOWEST POINT OF THE .004  
CO-PLANARITY GRAVITY PLANE. THIS MEASUREMENT  
IS NOT TO EXCEED A WINDOW OF .000 TO .007 INCHES.
  - THREE SLOTS MAY BE LOCATED AT EITHER END OF  
HOUSING.
  - 5.50mm MATED HEIGHT IS ONLY AVAILABLE  
IN 9, 15 AND 31 POS.
  - 7.50mm MATED HEIGHT IS ONLY AVAILABLE  
IN 9 POS.
  - APPLIES TO 91921-3XYZZ AND  
91931-3XYZZ OPTIONS ONLY.
  - THE HOUSING WILL WITHSTAND EXPOSURE TO 260°C PEAK TEMPERATURE  
FOR 30 SECONDS IN A CONVECTION INFRA RED OR VAPOR PHASE  
REFLOW OVEN. SEE APPLICATION/PROCEDURES IF THEY ARE AVAILABLE
  - PRODUCT WITH "LF" AT THE END MEETS EUROPEAN UNION DIRECTIVES AND OTHER  
COUNTRY REGULATION AS DESCRIBED IN GS-22-008.

mat'l. code	ISO 1302	ISO 406	ISO 1101	projection	product family	CONAN®
tr ecn no	dr	date	tolerances unless otherwise specified	INCH/MM	title	CONAN® CONNECTOR ASSEMBLY
angles	line ar	.00±.20	.0±.30	scale 1:1	dwg no	91900
0±x'		.000±.10			sheet of 7 size	A3
appd	Tim Yao	10/11/15			type	Product Customer Drawing
chr						
eng	Eric Huang	10/11/15				
dr	Eric Huang	10/11/15				
revision						
sheet						
index						

# CONAN® ASSEMBLY PART NUMBER 919 T C - W X Y Z Z LF

LEAD FREE OPTION  
SEE NOTE 12

ZZ	NUMBER OF POSITIONS	9
09		11
11		15
15		21
21		25
25		31
31		41
41		51
51		69
69		

Y	HEADER HEIGHT	.034 [.86]	1
	RECEPTACLE HEIGHT	.129 [3.28]	.163 [4.15]
SEE Y=1 FOR ALL RECEPTACLES	HEADER MATED HEIGHT	-.008	11
	RECEPTACLE HEIGHT	+.010	09
		+.25	15
		-.20	15
			21
			25
			31
			41
**		.048 [1.23]	2
		.107 [2.72]	4
		.1465 [3.721]	5
		.088 [2.23]	6
		.1665 [4.229]	7
		.216 [5.50]	
		.296 [7.52]	

T	HEADER WITH NO PEGS
0	HEADER WITH PEGS
1	RECEPTACLE WITH NO PEGS
2	RECEPTACLE WITH PEGS
C	PICK AND PLACE CAP OR TAPE (NOTE 4)
0	WITHOUT CAP OR TAPE
1	WITH CAP
2	WITH TAPE (RECEPTACLE ONLY)

W	PACKAGING
2	TUBE
3	PRESSURE SEALED TAPE & REEL

X	PLATING
1	15u"/.38u GXT™
2	50u"/.76u GXT™

EXAMPLE: 91921-31125LF  
 IS A CONAN® RECEPTACLE ASSEMBLY,  
 HAVING NO PEGS AND WITH A PICK AND PLACE CAP.  
 IT ALSO HAS GXT™ PLATING, IS .13 [3.2] HIGH AND 25  
 POSITIONS AND IS PACKAGED IN PRESSURE SEALED TAPE,  
 REEL AND LEAD FREE.

mat'l. code	ISO 1302	surface tolerance	ISO 406 ISO 1101	projection	product family	CONAN®
trn no	dr	date	tolerances unless otherwise specified	1101	title	CONAN® CONNECTOR ASSEMBLY
AL	angles	linea	.0±.30	INCH/MM		
	0±x'		.000±.10	scale 1:1		
	dr	Eric Huang	10/11/15		dwg no	91900
	eng	Eric Huang	10/11/15		sheet 7 of 7 size	A3
	chr	Tim Yao	10/11/15		type	Product Customer Drawing
sheet	revision					
index	sheet					

## X-ON Electronics

Largest Supplier of Electrical and Electronic Components

*Click to view similar products for [Headers & Wire Housings](#) category:*

*Click to view products by [FCT Electronics](#) manufacturer:*

Other Similar products are found below :

[95000-104TRLF](#) [10135584-644402LF](#) [DF62W-EP2022PCA](#) [95000-106TRLF](#) [DF62W-2022SCA](#) [DF62W-EP2022PC](#) [2203348](#) [DF62W-2022SC](#) [1084018](#) [1029039](#) [1084017](#) [802-10-012-10-002000](#) [1112640](#) [1112639](#) [891-007-9SS-BST1T](#) [000-34000](#) [0008550134](#) [0009482033](#) [0009507031](#) [57102-F02-18ULF](#) [57102-S06-03LF](#) [57202-S52-04LF](#) [PCN6-15S-2.5E](#) [0039019024](#) [58102-G61-06LF](#) [582553-1](#) [0009485154](#) [0009508121](#) [0022285053](#) [0050291907](#) [018731A](#) [LY20-4P-DT1-P1E-BR](#) [02.125.8002.8](#) [60101931](#) [60598-1 \(Cut Strip\)](#) [M1625-3R/100](#) [61062-3](#) [61082-181009](#) [CSU011177004](#) [636-1427](#) [638009-1](#) [641938-9](#) [641991-4](#) [644168-1](#) [644827-2](#) [647662-1](#) [65039-019ELF](#) [65692-001LF](#) [65781-018](#) [65781-047](#)