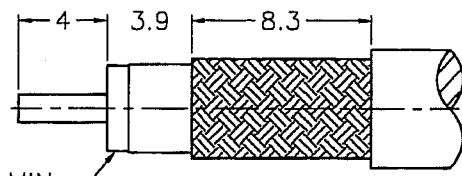
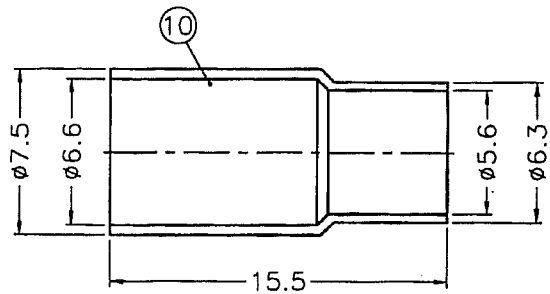
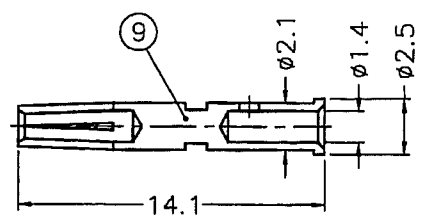
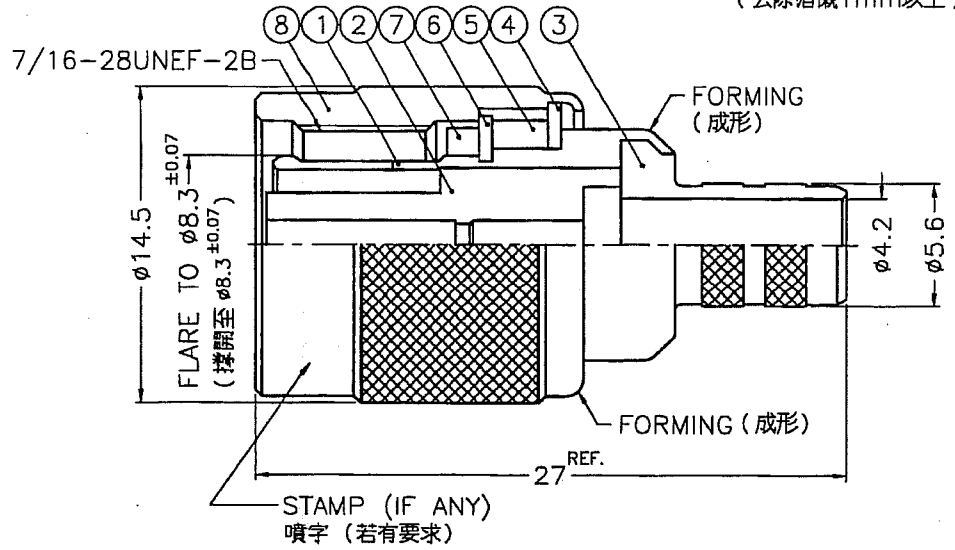


REVISIONS				
ISS	ZONE	DESCRIPTION	PER REQUEST	DATE



REMOVE FOIL 1mm MIN.
(去除箔襯1mm以上)

RECOMMENDED
CABLE STRIPPING DIM'S
(建議剝線尺寸)



- NOTES: FINISH (PLATING THICKNESS IN MICRO-INCHES)
- BRASS PER QQ-B-626
 - BRASS PER QQ-B-613
 - NICKEL PL. 100 MIN. THICK OVER COPPER STRIKE
 - PHOSPHOR BRONZE PER QQ-B-750
 - GOLD PL. 3 MIN. THICK OVER NICKEL PL. 100 MIN. THICK OVER COPPER STRIKE
 - TEFLON MIL-P-19468

- CRIMPED FERRULE
HEX CRIMP SIZE .255"
- CRIMPED CONTACT PIN
HEX CRIMP SIZE .068"

NO.	DESCRIPTION	MATERIAL	FINISH	Q'TY	DRAWING NO.
10	FERRULE	NOTE 1	NOTE 3	1	FR-75/66-63/56 X155
9	CONTACT PIN	NOTE 4	NOTE 5	1	CP01ACT27A
8	SHELL	NOTE 1	NOTE 3	1	T50000-1-B
7	GASKET	RUBBER	RED	1	GS-105/BX15
6	RETAINER RING	NOTE 1	NOTE 3	1	B50000-5
5	RING	DELRIN	NATURAL	1	T50000-6-A
4	WASHER	NOTE 2	NOTE 3	1	WS-12B/9X08
3	BARREL	NOTE 1	NOTE 3	1	B50900-6-56/42
2	INSULATOR	NOTE 6	NATURAL	1	RB1121A1-3T-50
1	BODY	NOTE 1	NOTE 3	1	RB1121A1-2

DIMENSIONS ARE IN MILLIMETERS				PART NO.	
UNLESS OTHERWISE SPECIFIED TOLERANCES				APPROVED	DATE
0.5-6	= ±0.2			<i>Carol</i>	04-07-04'
6-30	= ±0.4			CHECKED	DATE
30-120	= ±0.6			<i>Carol</i>	04-07-04'
120-315	= ±1			DRAWN	DATE
315-1000	= ±1.6			<i>Angela W</i>	04-07-04'
1000-2000	= ±2.4			FILE NO.	F:\DWG\RT\1121A1\H155-50\NT3G

Amphenol	
Danbury, CT, USA - Tainan, Taiwan - Shenzhen, China	
TITLE	TNC REVERSE POLARITY CRIMP PLUG
DRAWING NO.	RT1121A1-NT3G-H155-50
ITEM NO.	521121AAA2NA5F

7RD-DR (103) 8

X-ON Electronics

Largest Supplier of Electrical and Electronic Components

Click to view similar products for [I/O Connectors](#) category:

Click to view products by [Amphenol](#) manufacturer:

Other Similar products are found below :

[571763P](#) [58098-0628](#) [61-168618-12P](#) [D38999/20FJ24PA L/C](#) [D38999/20FJ29SB L/C](#) [D38999/24FG11SN L/C](#) [72.250.1628.2](#) [72.250.2428.2](#)
[74720-0505](#) [747680210](#) [76.350.0729.0](#) [76871-1403](#) [FCN-244F080-G/1](#) [FCN-260A9920](#) [FCN-268D024-G/2F#10X-R10](#) [MP-5T180MUNNA-005](#) [MP-5XRJ45UNNB-003](#) [PCS-E50FA](#) [PCS-XE26LKA](#) [PCS-XE26MA+](#) [PCS-XES68MS+](#) [G38A71314B](#) [91-569719-35R](#) [9776-18-6](#)
[DX40-50P\(55\)](#) [1571250010](#) [157-22500-3](#) [MS3471L14-19P L/C](#) [MS3476W12-10S L/C](#) [171224-6031](#) [1888020-8](#) [91-569786-35H](#) [91-569786-35M](#) [91-644626-35P](#) [172501-4002](#) [172501-6002](#) [FCN-260C008-A/L0](#) [FCN-260C024-AL0](#) [FCN-261Z008](#) [FCN-268D008-G/1K](#) [2000314-1](#)
[200331-1](#) [2007498-2](#) [PCR-E28LMDAG1+](#) [PCR-E36FC+](#) [PCS-E28FS+](#) [PCS-XE26SLFD+](#) [PCS-XE26SLFDT+](#) [G38A71214B](#) [HDRA-E68W1LFDTC-SL+](#)