

## POK KLIPPON POK 081106 EX

**Weidmüller Interface GmbH & Co. KG**  
 Klingenbergstraße 16  
 D-32758 Detmold  
 Germany  
 Fon: +49 5231 14-0  
 Fax: +49 5231 14-292083  
 www.weidmueller.com



### Klippon® POK – polyester enclosure

The glass-fibre reinforced polyester enclosures of the Klippon® POK range offer a high-quality solution for protecting electrical components. These enclosures are ideal wherever corrosion resistance, shock resistance and a high degree of protection are required.

#### Features:

- glass-fibre reinforced polyester
- 17 sizes
- Two standard colours: grey (similar to RAL 7001) and black (similar to RAL 9011)
- Cover with stainless steel screws in cross-head / slotted design
- Moulded gasket made of silicone or chloroprene
- Fixing holes outside the sealed area
- Mounting directly in the enclosure or using an internal mounting plate
- Direct wall mounting possible using fixing holes or mounting feet
- Fastening thread to attach mounting rails and plates
- Weidmüller can manufacture and supply this enclosure to match customer specifications - fitted with all necessary terminals and cable glands.

#### General ordering data

Type	KLIPPON POK 081106 EX
Order No.	<a href="#">1306010000</a>
Version	Enclosures, Glass fibre-reinforced polyester, 75 mm, 110 mm, 56 mm
GTIN (EAN)	4050118108361
Qty.	1 pc(s).

## POK KLIPPON POK 081106 EX

**Weidmüller Interface GmbH & Co. KG**  
 Klingenbergstraße 16  
 D-32758 Detmold  
 Germany  
 Fon: +49 5231 14-0  
 Fax: +49 5231 14-292083  
 www.weidmueller.com

## Technische Daten

### Dimensions and weights

Length	56 mm	Width	110 mm
Height	75 mm	Height of lowest version	56 mm
Depth	56 mm	Mounting dimension - width	98 mm
Mounting dimension - height	45 mm	Net weight	350 g

### Cable glands, left

M12 (3)	1	M16 (3)	1
M20 (3)	1		

### Cable glands, right

M12 (2)	1	M16 (2)	1
M20 (2)	1		

### Cable glands, top/bottom

M12	7	M16	3
M20	2	M25	2

### General information

Areas of use	Explosive risk zone, Harbour facilities, Machine construction, Process industry, Transportation	Installation advice	Direct mounting, Mounting straps
Torque for cover screws	2.5 Nm	UL 94 flammability rating	V-0
Material	Glass fibre-reinforced polyester	Seal material	Silicone
Surface finish	Plastic, untreated, polished	Operating temperature, min.	-55 °C
Operating temperature, max.	100 °C	Impact resistance	7 J ATEX version
Protection degree	IP 66	Enclosure attachment	Installation through the housing rear wall, Fixing lugs
Cover attachment	Slotted/Phillips screws		

### General information on accessories

Material	Glass fibre-reinforced polyester	Mounting dimension - height	45 mm
Mounting dimension - width	98 mm	Surface finish	Plastic, untreated, polished

### horizontal assembly

WDU 2,5 ZDU 2,5 IDU 2,5	1x10	WDU 4 ZDU 4	1x9
-------------------------	------	-------------	-----

### vertical assembly

WDU 2,5 ZDU 2,5 IDU 2,5 (2)	1x1*	WDU 4 ZDU 4 (2)	1x1*
-----------------------------	------	-----------------	------

### Classifications

eClass 6.2	27-18-05-02
------------	-------------

**Datenblatt**

**POK  
KLIPPON POK 081106 EX**

**Weidmüller Interface GmbH & Co. KG**  
 Klingenbergstraße 16  
 D-32758 Detmold  
 Germany  
 Fon: +49 5231 14-0  
 Fax: +49 5231 14-292083  
 www.weidmueller.com

**Technische Daten**

**Test certificates**

Certificate No. (GERMLLOYD) 59992-13

**Product information**

Descriptive text ordering data	The overview page lists the ambient temperatures. The colours of painted enclosures may vary under certain circumstances.
Descriptive text technical data	* Please refer to the Terminal Block catalogue or the SAK Series for more information about assembling the enclosures with terminal blocks. We recommend a maximum of one BK 6, e.g. BK 6 CRN (0625220000), for vertical installation. There are no specified mounting options available for mounting the enclosure in a vertical position.
Descriptive text accessories	The accessory kits also contain the appropriate mounting materials. For wall mounting with mounting feet please use art. no. 9510900000.

**Approvals**

Approvals



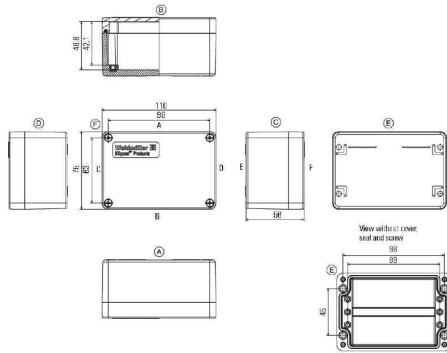
**IBEXUATEX**

ROHS Conform

**POK**  
**KLIPPON POK 081106 EX**

**Weidmüller Interface GmbH & Co. KG**  
Klingenbergstraße 16  
D-32758 Detmold  
Germany  
Fon: +49 5231 14-0  
Fax: +49 5231 14-292083  
www.weidmueller.com

**Zeichnungen**



## X-ON Electronics

Largest Supplier of Electrical and Electronic Components

*Click to view similar products for [weidmuller](#) manufacturer:*

Other Similar products are found below :

[8924550000](#) [56956](#) [0133660000](#) [6720000227](#) [6720005111](#) [68676](#) [69718](#) [EXO24CH](#) [7760056106](#) [7940000218](#) [8005181001](#) [8008180000](#)  
[8432240000](#) [8463580000](#) [8545830000](#) [8689870000](#) [8705640000](#) [9001080000](#) [9003720000](#) [9004250000](#) [9004780000](#) [9013260000](#)  
[9014100000](#) [9019040000](#) [9026010000](#) [9028630000](#) [903708](#) [9037350000](#) [9046290000](#) [9129643500](#) [913155](#) [9159530000](#) [919656](#) [919764](#)  
[9202230000](#) [9202850000](#) [9456750000](#) [9457913000](#) [980811](#) [980826](#) [9912800003](#) [9916080000](#) [9916280012](#) [9918380000](#) [9919371205](#)  
[9919371224](#) [9925710000](#) [9926252005](#) [9927480024](#) [1166660000](#)