

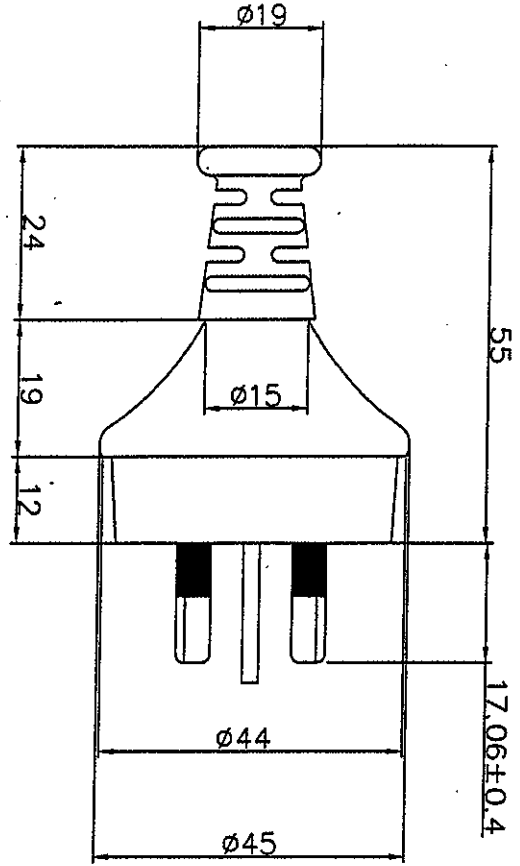
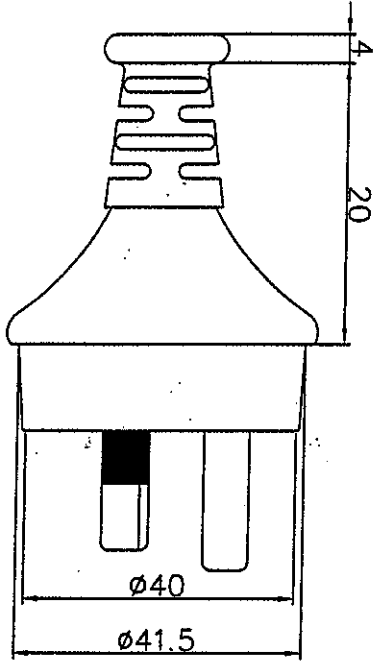
Copy



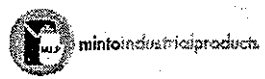
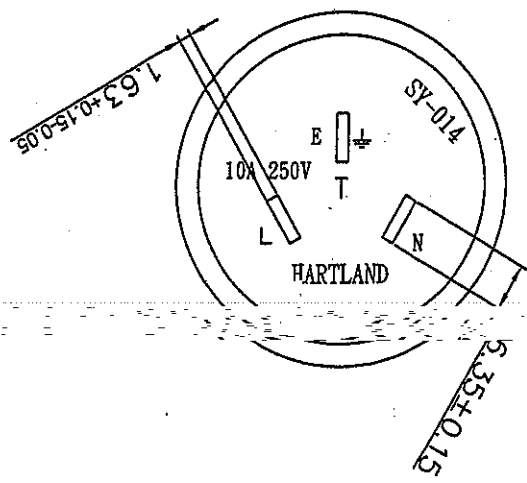
A division of CMI Operations Pty Ltd
ABN 87 088 279 270

- Sydney 18-20 Railway Road Meadowbank NSW 2114
Postal Address: Locked Bag M3 Meadowbank NSW 2114
Telephone: (02) 9807 6155 Facsimile: (02) 9808 2033
- Rockhampton 76 Hollingsworth St North Rockhampton QLD 4701
Telephone: (07) 4921 0978 Facsimile: (07) 4921 0981
- Perth 7 Rothschild Place Midvale WA 6056
Telephone: (08) 9250 5933 Facsimile: (08) 9250 5722

- Brisbane 57 Yarraman Place Virginia QLD 4014
Postal Address: PO Box 642 Virginia QLD 4014
Telephone: (07) 3865 4745 Facsimile: (07) 3865 7494
- Melbourne 3-5 Dissik Street Cheltenham VIC 3192
Telephone: (03) 9532 1233 Facsimile: (03) 9553 3502



*P109 3 PIN MEDICAL
MOULDED PLUG - CLEAR
250V
10A RATING
AUSTRALIAN APPROVAL
N18432 AS/NZS 3112:2000A2*



Quality
ISO 9001
SAIGLOBAL
Meadowbank & Brisbane Lic 1037

X-ON Electronics

Largest Supplier of Electrical and Electronic Components

Click to view similar products for [peaston](#) manufacturer:

Other Similar products are found below :

[P109](#) [P100 RHSE-BLK](#)