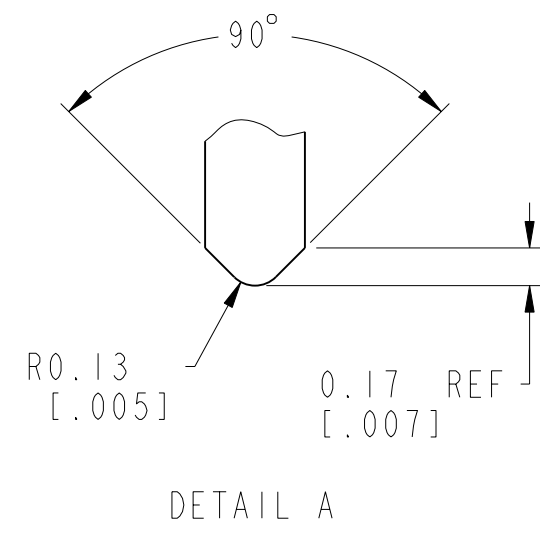
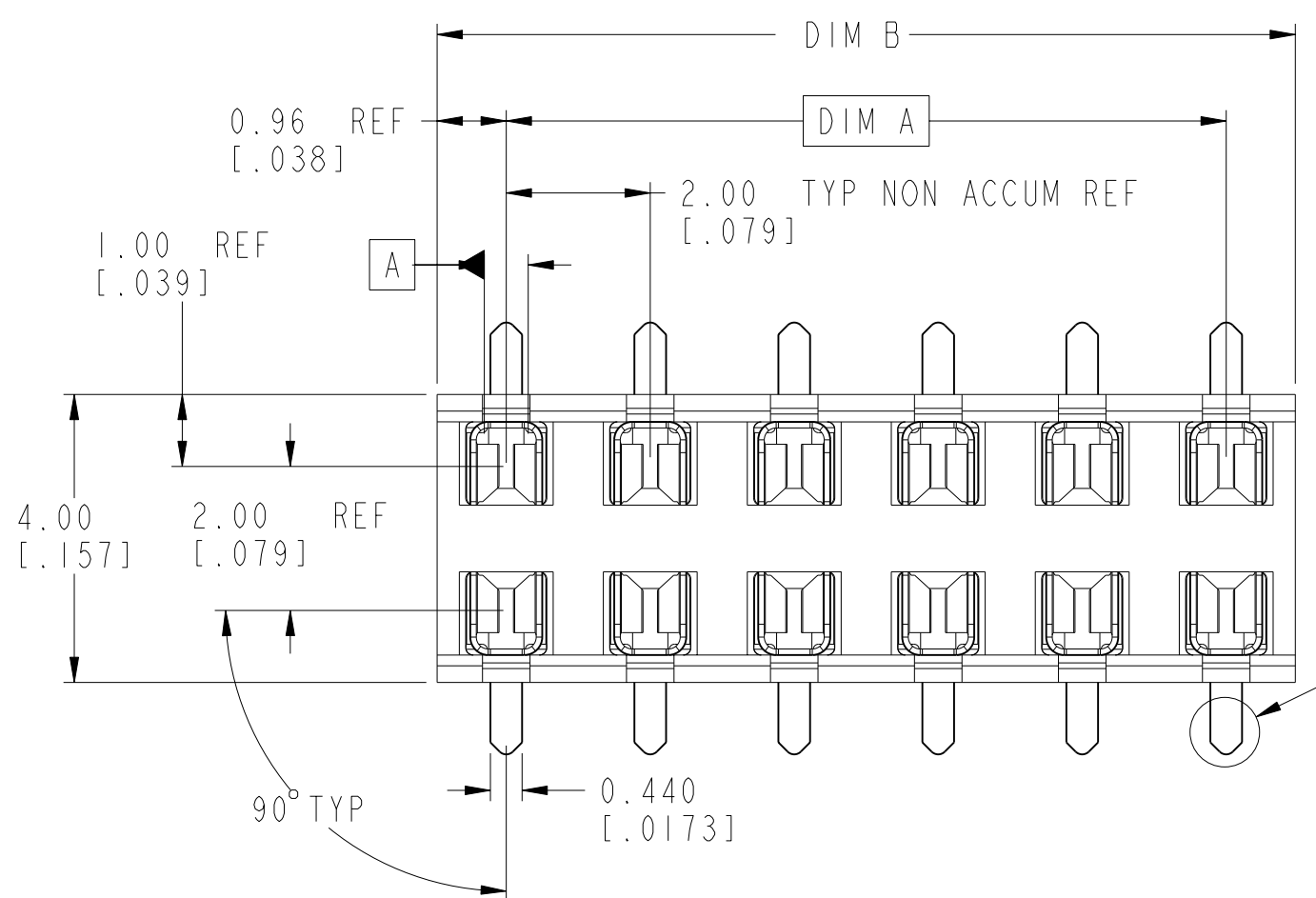


1

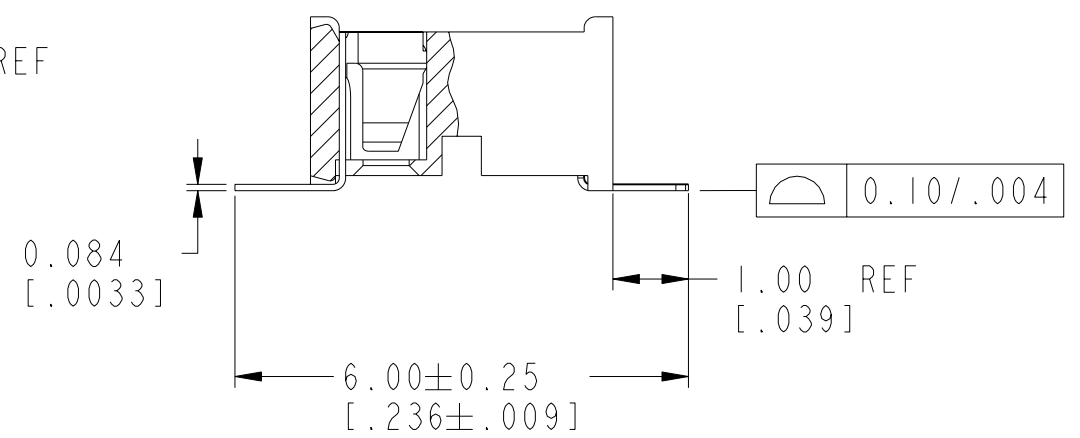
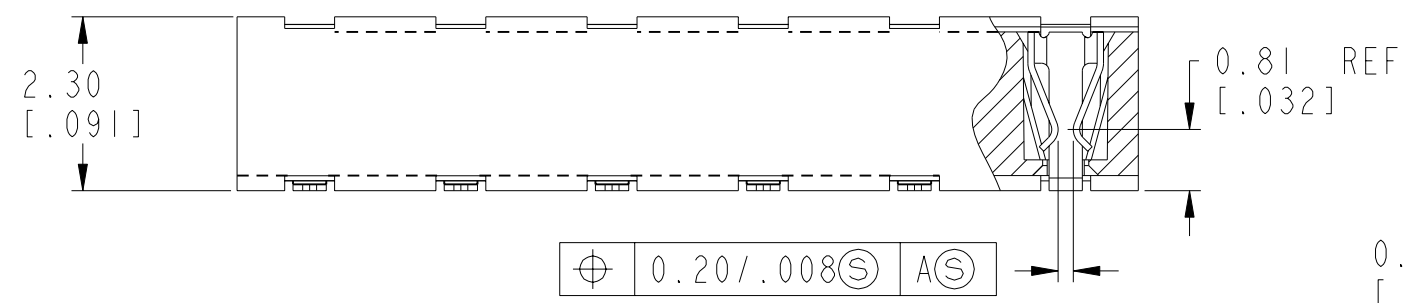
2

3

4



SEE DETAIL NOTE 4



Copyright FCI.

CONFIDENTIAL

www.fciconnect.com			surface - ✓ ISO 1302	tolerance std ISO 406 ISO 1101	projection MM/INCH																																						
			TOLERANCES UNLESS OTHERWISE SPECIFIED																																								
Dr	BS LOW	2000-01-06	ANGULAR	0.X	±0.3																																						
Eng	BS LOW	2000-01-06		LINEAR	0.XX	±0.13																																					
Chr	KH LEE	2010-06-28	0° ±2°	0.XXX	±0.051																																						
Appr	JOEY NG	2010-06-28	Product family LPVCC		Spec ref -																																						
<table border="1"> <thead> <tr> <th>rev</th> <th>ecn no</th> <th>dr</th> <th>date</th> </tr> </thead> <tbody> <tr><td>P</td><td>S50184</td><td>BSL</td><td>1995-09-19</td></tr> <tr><td>R</td><td>S60082</td><td>BSL</td><td>1996-03-26</td></tr> <tr><td>S</td><td>S70073</td><td>BSL</td><td>1997-03-25</td></tr> <tr><td>T</td><td>V94400</td><td>BSL</td><td>1999-12-01</td></tr> <tr><td>U</td><td>S05-0059</td><td>KBM</td><td>2005-04-20</td></tr> <tr><td>V</td><td>S09-0253</td><td>NBR</td><td>2009-08-25</td></tr> <tr><td>W</td><td>S10-0136</td><td>NBR</td><td>2010-06-28</td></tr> </tbody> </table>			rev	ecn no	dr	date	P	S50184	BSL	1995-09-19	R	S60082	BSL	1996-03-26	S	S70073	BSL	1997-03-25	T	V94400	BSL	1999-12-01	U	S05-0059	KBM	2005-04-20	V	S09-0253	NBR	2009-08-25	W	S10-0136	NBR	2010-06-28	<table border="1"> <tr> <td rowspan="2"> </td> <td>title</td> <td>LOW PROFILE VCC</td> <td rowspan="2"> dwg no 91596 </td> <td rowspan="2"> Rev. W </td> </tr> <tr> <td>catalog no</td> <td>-</td> </tr> </table>			title	LOW PROFILE VCC	dwg no 91596	Rev. W	catalog no	-
rev	ecn no	dr	date																																								
P	S50184	BSL	1995-09-19																																								
R	S60082	BSL	1996-03-26																																								
S	S70073	BSL	1997-03-25																																								
T	V94400	BSL	1999-12-01																																								
U	S05-0059	KBM	2005-04-20																																								
V	S09-0253	NBR	2009-08-25																																								
W	S10-0136	NBR	2010-06-28																																								
	title	LOW PROFILE VCC	dwg no 91596	Rev. W																																							
	catalog no	-																																									
			CUSTOMER		sheet 1 of 2																																						

REV F - 2006-04-17

1

2

3

PDM: Rev:W

STATUS: Released

Printed: Nov 27, 2010

PRODUCT NO	POSITIONS	DIM. A	DIM. B
91596-X04	2 X 2	2.00 / .079	3.92 / .154
-X06	2 X 3	4.00 / .158	5.92 / .233
-X08	2 X 4	6.00 / .236	7.92 / .312
-X10	2 X 5	8.00 / .315	9.92 / .391
-X12	2 X 6	10.00 / .394	11.92 / .469
-X14	2 X 7	12.00 / .472	13.92 / .548
-X16	2 X 8	14.00 / .551	15.92 / .627
-X18	2 X 9	16.00 / .630	17.92 / .706
-X20	2 X 10	18.00 / .709	19.92 / .784
-X22	2 X 11	20.00 / .787	21.92 / .863
-X24	2 X 12	22.00 / .866	23.92 / .942
-X26	2 X 13	24.00 / .945	25.92 / 1.020
-X28	2 X 14	26.00 / 1.024	27.92 / 1.099
-X30	2 X 15	28.00 / 1.102	29.92 / 1.178

CONTACT AREA PLATING OPTIONS
0=0.20μm/8μ" Au CONTACT AREA.
1=0.76μm/30μ" Au CONTACT AREA.
3=0.38μm/15μ" Au CONTACT AREA.

NOTES:

- HOUSING MAT'L : HIGH TEMP PLASTIC.
- TERMINAL MAT'L : BeCu.
- TERMINAL RETENTION 0.5Kg/1.1 Lbs.
- 'V' CUT OPTIONAL - MANUFACTURING PROCESS OPTION.
- PRODUCT DESCRIPTION CODE:

XXXXX-X XXLF

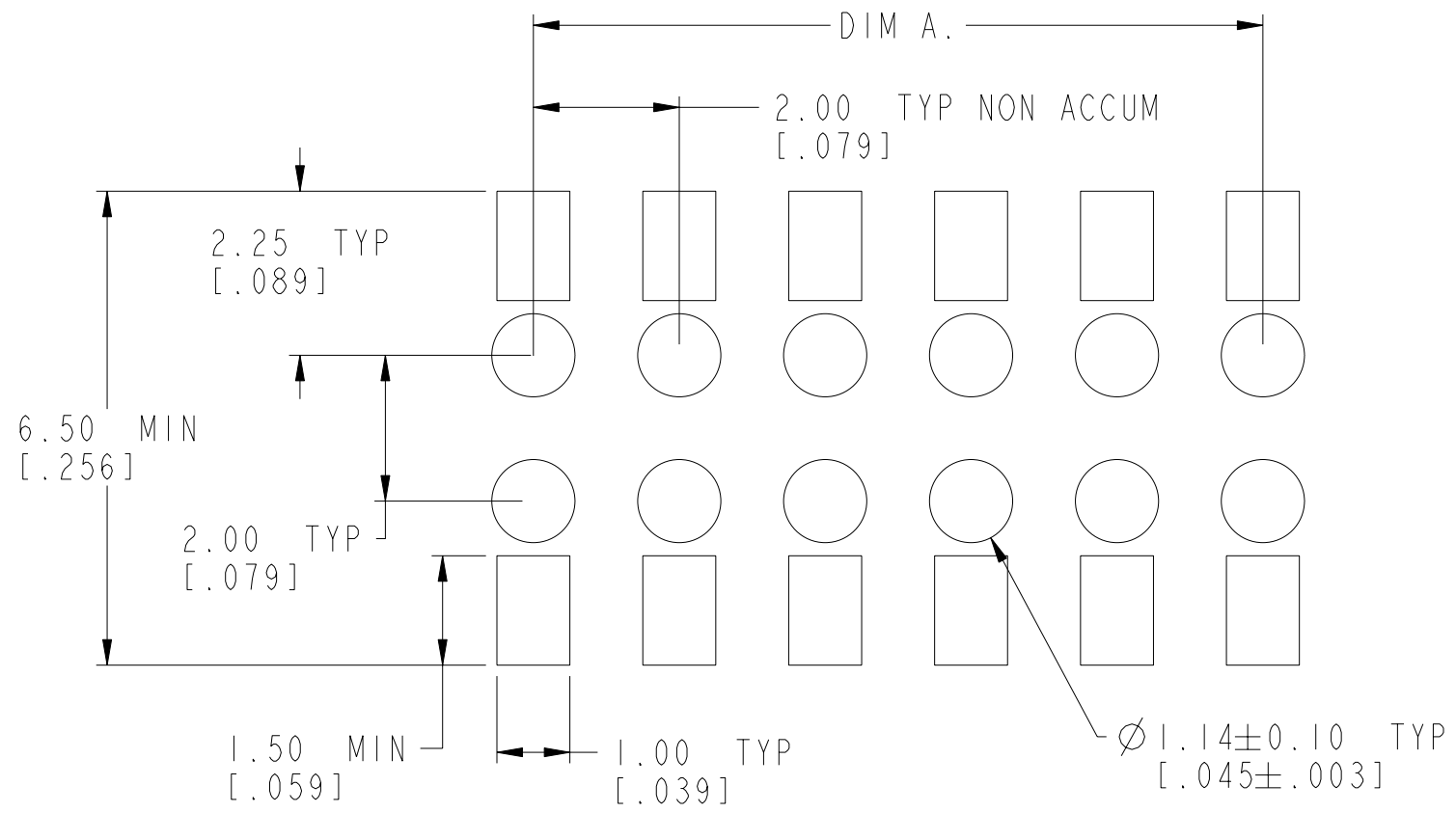


6. PACKAGING:

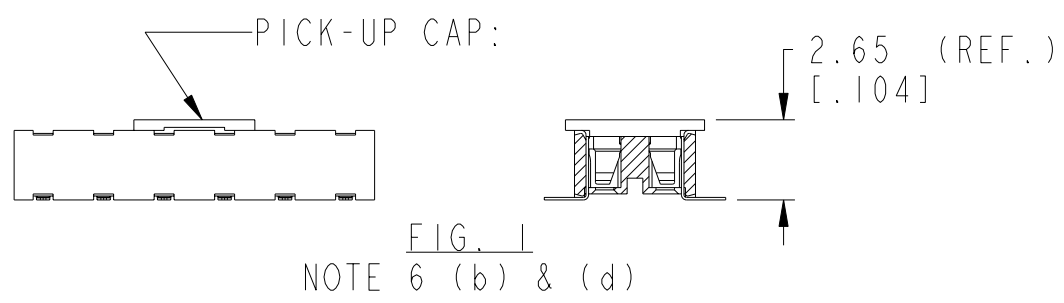
- (a) XXXXX-XXX ---STD PACKAGING IN TUBE.
- (b) XXXXX-XXXTR ---TAPE AND REEL (CONDUCTIVE) PACKAGING WITH PICK-UP CAP (SEE FIG 1).
- (c) XXXXX-XXXTRN ---TAPE AND REEL (CONDUCTIVE) PACKAGING WITHOUT PICK-UP CAP.
- (d) XXXXX-XXXCR ---TAPE AND REEL (NON-CONDUCTIVE) PACKAGING WITH PICK-UP CAP (SEE FIG 1).
- (e) XXXXX-XXXCRN ---TAPE AND REEL (NON-CONDUCTIVE) PACKAGING WITHOUT PICK-UP CAP.

- ⚠ (7) SOLDER TAILS PLATING:
- a) SOLDER TAIL OF P/N:91596-XXX IS TIN/LEAD PLATED.
 - b) SOLDER TAIL OF P/N:91596-XXXLF IS GOLD FLASH PLATED.
8. THE HOUSING WILL WITHSTAND EXPOSURE TO 255°C PEAK TEMPERATURE FOR 10 SECONDS IN A CONVECTION, INFRA-RED OR VAPOR PHASE REFLOW OVEN.
9. THIS PRODUCT MEETS EUROPEAN UNION DIRECTIVES AND OTHER COUNTRY REGULATIONS AS DESCRIBED IN GS-22-008.

⚠ 10. A ⚠ SYMBOL WILL BE NEXT TO ANY DIMENSION, VIEW OR NOTE WHICH HAS BEEN MODIFIED WITH THE CURRENT DRAWING REVISION.



RECOMMENDED PAD LAYOUT



CONFIDENTIAL

Material	SEE NOTES	Spec ref	-
Mat code	SEE NOTES	surface	-
Heattreat	-	tolerance	ISO 406
Plating/Finish	SEE NOTES	ISO 1302	ISO 1101
Dr	BS LOW	2000-01-06	
Eng	BS LOW	2000-01-06	Product family LPVCC
Chr	KH LEE	2010-06-28	Model Name 91596_X12
Appr	JOEY NG	2010-06-28	Model Revision -

	LOW PROFILE VCC BOTTOM ENTRY SMT 2.3 ASSY	dwg no 91596	Rev. W
	Pro/E file catalog no	CUSTOMER	sheet 2 of 2

X-ON Electronics

Largest Supplier of Electrical and Electronic Components

Click to view similar products for [Headers & Wire Housings](#) category:

Click to view products by [Amphenol](#) manufacturer:

Other Similar products are found below :

[95000-104TRLF](#) [10135584-644402LF](#) [DF62W-EP2022PCA](#) [95000-106TRLF](#) [DF62W-2022SCA](#) [DF62W-EP2022PC](#) [2203348](#) [DF62W-2022SC](#) [1084018](#) [1029039](#) [1084017](#) [802-10-012-10-002000](#) [1112640](#) [1112639](#) [000-34000](#) [0009482033](#) [0009507031](#) [57102-S06-03LF](#) [57202-S52-04LF](#) [PCN6-15S-2.5E](#) [0039019024](#) [58102-G61-06LF](#) [582553-1](#) [0009485154](#) [0009508121](#) [0022285053](#) [0050291907](#) [018731A](#) [LY20-4P-DT1-P1E-BR](#) [02.125.8002.8](#) [60101931](#) [60598-1 \(Cut Strip\)](#) [M1625-3R/100](#) [61062-3](#) [61082-181009](#) [636-1427](#) [638009-1](#) [641938-9](#) [641991-4](#) [644168-1](#) [647662-1](#) [65039-019ELF](#) [65817-002LF](#) [65817-015LF](#) [65863-015LF](#) [66207-023LF](#) [67016-026LF](#) [67046-001LF](#) [67095-007LF](#) [67230-005LF](#)