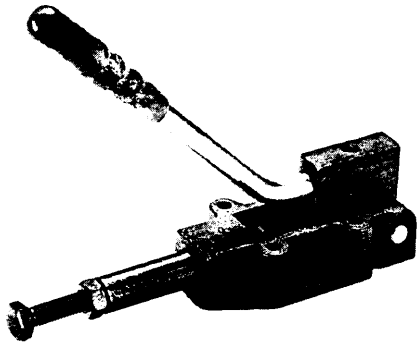


# LONG HANDLED HEAVY DUTY PUSH-PULL CLAMPS

MODEL P600L 7148148



With 14 daN handle force the output force is:

daN	Stroke (mm)
470	Fully retracted
110	5 mm extended
70	10 mm
75	15 mm
80	20 mm
85	25 mm
146	30 mm
190	31 mm
580	Fully extended

**Plunger:** Locks at both extended & retracted ends of the stroke.

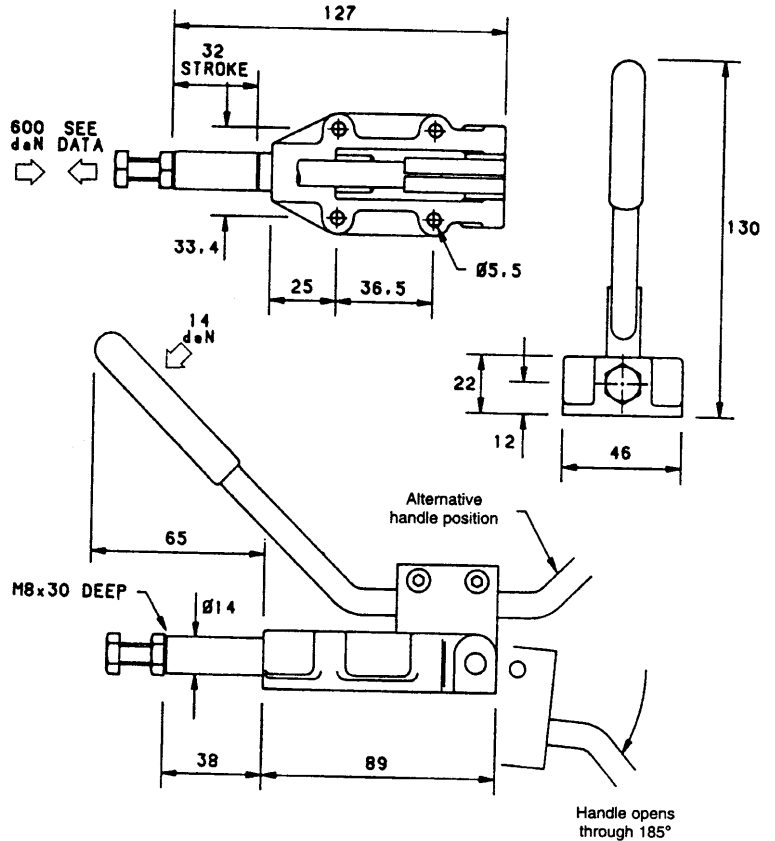
**Base:** Body mounting.

**Nominal Holding Force:** 600 daN

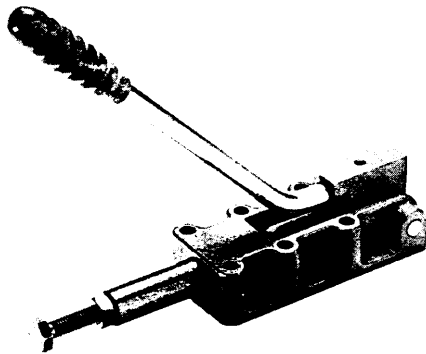
**Weight:** 0.55 Kg

**Supplied complete with:** MB0840 Setscrew & nut.

See "Accessories" for other items.



MODEL P1200L 7148161



With 15 daN handle force the output force is:

daN	Stroke (mm)
705	Fully retracted
167	5 mm extended
90	10 mm
73	15 mm
70	20 mm
72	25 mm
85	30 mm
100	35 mm
110	40 mm
150	45 mm
220	48 mm
290	49 mm
930	Fully extended

**Plunger:** Locks at both extended & retracted ends of the stroke.

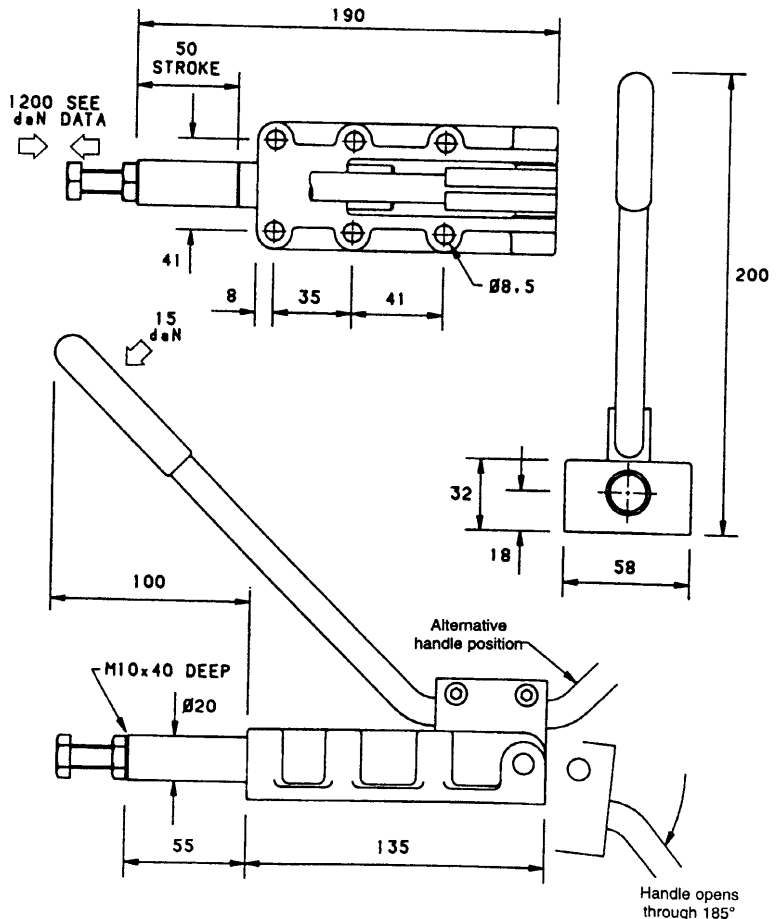
**Base:** Body mounting.

**Nominal Holding Force:** 1200 daN

**Weight:** 1.60 Kg

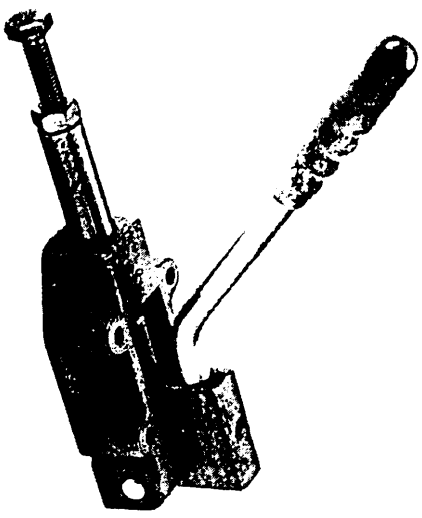
**Supplied complete with:** MB1050 Setscrew & nut.

See "Accessories" for other items.



# LONG HANDLED HEAVY DUTY PUSH-PULL CLAMPS

MODEL P600L 7148148



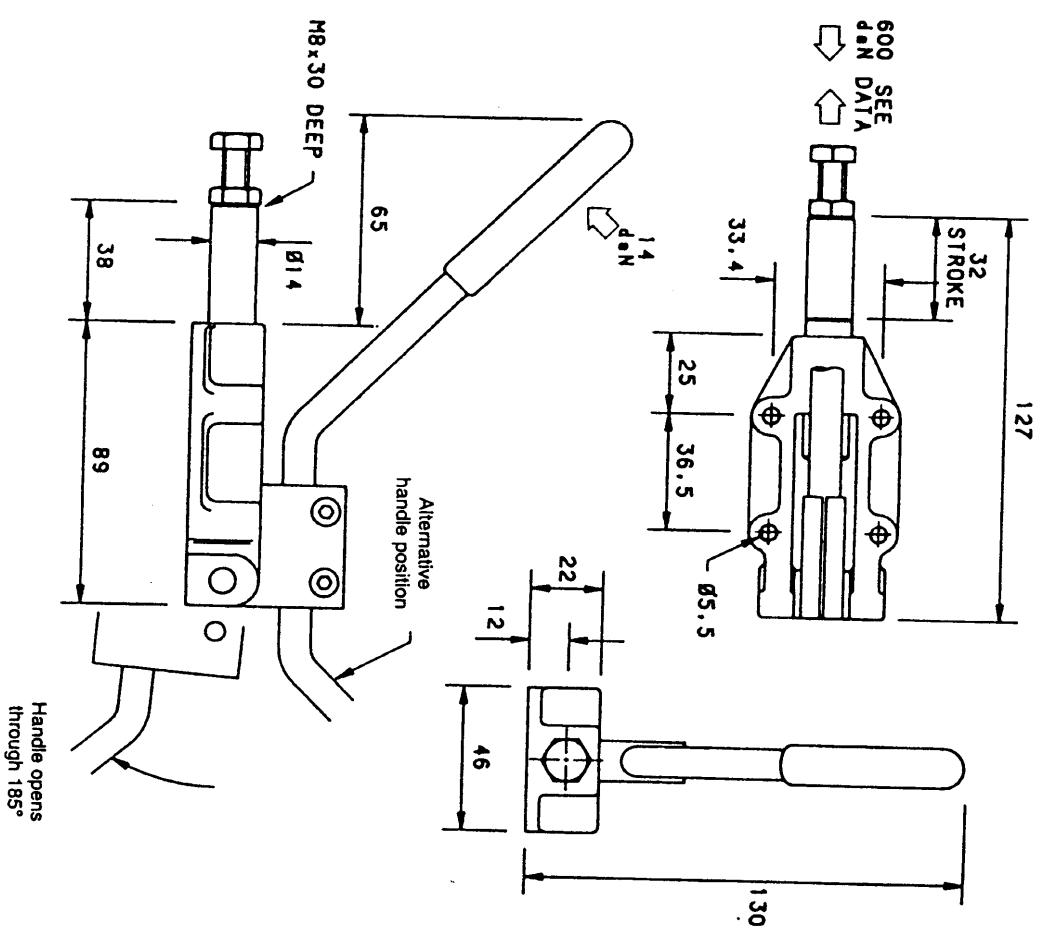
With 14 dan handle force the output force is:

Stroke	dan
Fully retracted	470
5 mm extended	110
10 mm	70
15 mm	75
20 mm	80
25 mm	85
30 mm	146
31 mm	190
Fully extended	580

**Plunger:** Locks at both extended & retracted ends of the stroke.  
**Base:** Body mounting.  
**Nominal Holding Force:** 600 dan  
**Weight:** 0.55 Kg  
**Supplied complete with:** MB0840 Setscrew & nut.

See "Accessories" for other items.

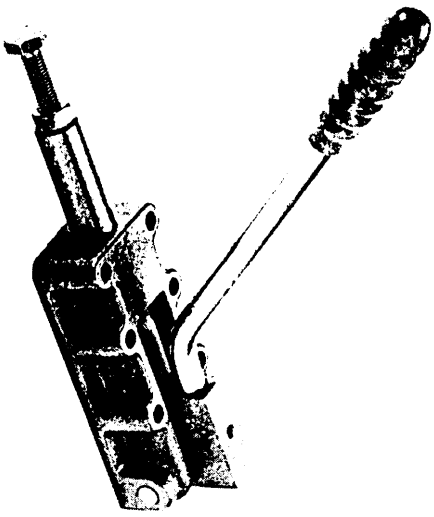
MODEL P1200L 7148161



Base: Body mounting.  
 Nominal Holding Force: 600 daN  
 Weight: 0.55 Kg  
 Supplied complete with: MB0840 Setscrew & nut.

See "Accessories" for other items.

MODEL P1200L 7148161



With 15 daN handle force the output force is:

Fully retracted	705
5 mm extended	167
10 mm	90
15 mm	"
20 mm	73
25 mm	70
30 mm	72
35 mm	85
40 mm	100
45 mm	110
48 mm	150
49 mm	220
Fully extended	290
	930

Plunger: Locks at both extended & retracted ends of the stroke.

Base: Body mounting.

Nominal Holding Force: 1200 daN

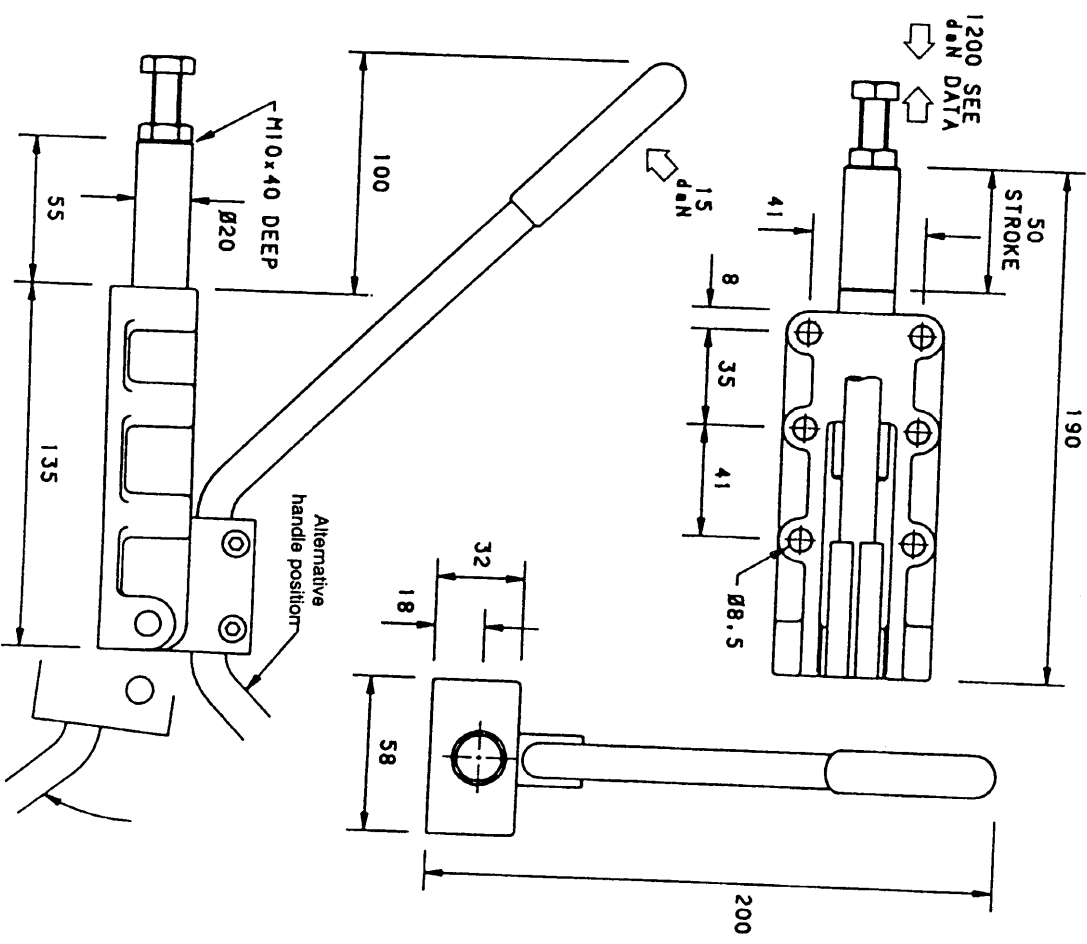
Weight: 1.60 Kg

Supplied complete with: MB1050 Setscrew & nut.

See "Accessories" for other items.



Handle opens through 185°



## **X-ON Electronics**

Largest Supplier of Electrical and Electronic Components

*Click to view similar products for [hmc brauer](#) manufacturer:*

Other Similar products are found below :

[P2500L](#) [V150/2B](#) [P50](#) [V250/2B](#)