

Type series HB 26



- 6 digit hour meter with reset
- High shock resistance
- Magnified figures; 4.5 mm high
- Data retention if power is lost
- Long service life
- Plug-in versions

Applications

Indication of machine run time or time between services.
Machine utilisation timing for pricing etc.

Technical data:

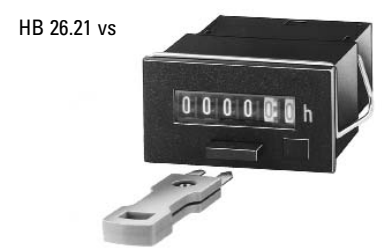
Electrical connection:	Cable: 2 x 0.5 mm ² , NYFAZ, 0.5 m long AC: grey/grey, DC: red +, black – Type HB 26.01.3 round pins (pluggable in socket box 945.2)
Power consumption:	10 ... 30 V DC: appr. 500 mW 36 ... 80 V DC: appr. 900 mW 100 ... 130 V DC: appr. 750 mW 20 ... 30 V AC appr. 0.3 VA 42 ... 48 V AC appr. 0.25 VA 100 ... 130 V AC appr. 0.6 VA 187 ... 264 V AC appr. 1.2 VA 360 ... 440 V AC appr. 1.65 VA
Rated voltages:	20 ... 30/42 ... 48/100 ... 130/187 ... 264/ 360...440 V AC, 50 or 60 Hz, 10 ... 30/36 ... 80/100 ... 130 V DC
Display:	6: 99999.9 h
Accuracy:	AC: Supply frequency + 30 ms DC: < 0.003 % (24 h)
Height of figures:	4.5 mm
Colour of figures:	white and red on black
Ambient temperature:	-15° ... +50°C
Mounting position:	any
Protection:	IP 41 (front) Flexible sealing cover K1: IP 54 (front) Transparent cover Dv U. Dvs: IP 55 (front)
Housing:	Plastic
Weight:	appr. 45 g

Options:	Different voltages Different temperature range Key-locking 0-reset: Art-No.: 3.160.XX7.XXX Flat pin 0.8 x 6.3 mm without flat pin rt-No.: .168.X11.XXX Flat pin 0.8 x 2.8 with socket box Art-No.: 3.167.X.11.XXX
----------	---

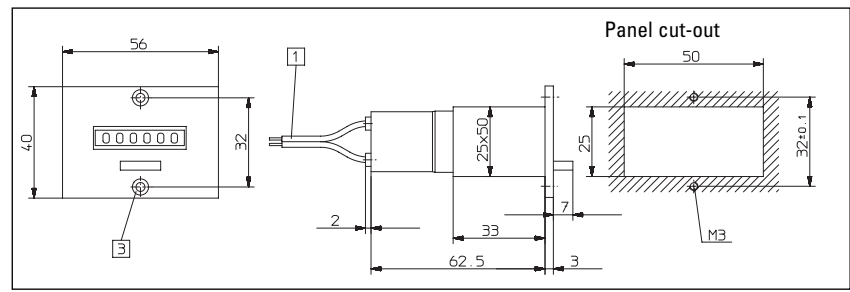
Accessories:	Socket box 945.2 Art-No.: G.008.434 Sealing cover K1 black Art-No.: G.008.301 only for front panel 3 50 x 60
--------------	---

Front bezel:	F1B beige Art-No.: G.007.501 F1B black Art-No.: G.007.502
--------------	--

Dummy housing 25 x 50 mm	Black: Art-No.: T.005.753
--------------------------	---------------------------



HB 26.11

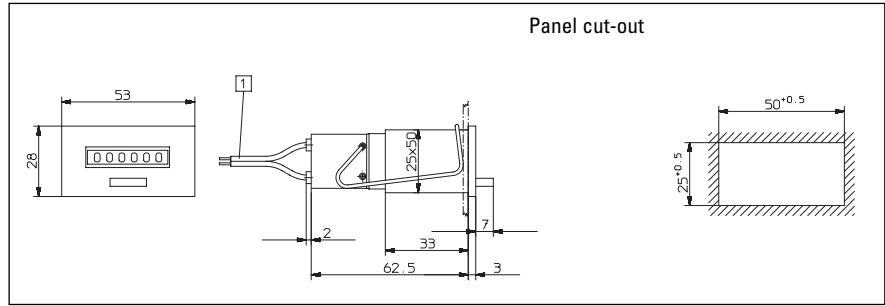


Voltage	Art-No. (AC), 50 Hz	Art-No. (AC), 60 Hz	Art-No. (V DC)
10 ... 30			3.160.111.351
20 ... 30	3.160.111.071	3.160.111.081	
36 ... 80			3.160.111.353
42 ... 48	3.160.111.072	3.160.111.082	
100 ... 130	3.160.111.074	3.160.111.084	3.160.111.381
187 ... 264	3.160.111.075	3.160.111.085	
360 ... 440	3.130.111.079	3.160.111.089	

- 1 Connection cable, 2 x 0.5 mm², NYFAZ, 0.5 m long
- 3 Countersunk A_f3, DIN 74

Time meter

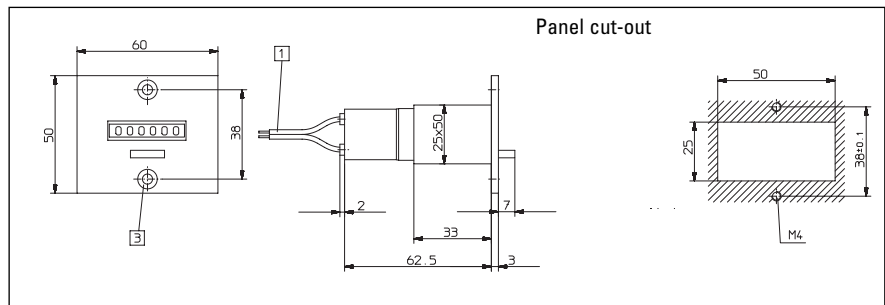
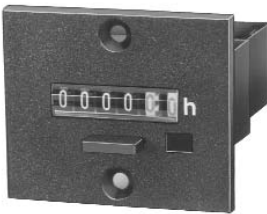
HB 26.21



Voltage	Art-No. (AC), 50 Hz	Art-No. (AC), 60 Hz	Art-No. (V DC)
10 ... 30			
20 ... 30	3.160.211.071	3.160.211.081	
36 ... 80			3.160.211.353
42 ... 48	3.160.211.072	3.160.211.082	
100 ... 130	3.160.211.074	3.160.211.084	3.160.211.381
187 ... 264	3.160.211.075	3.160.211.085	
360 ... 440	3.160.211.079	3.160.211.089	

1 Connection cable, 2 x 0.5 mm², NYFAZ, 5 m lang

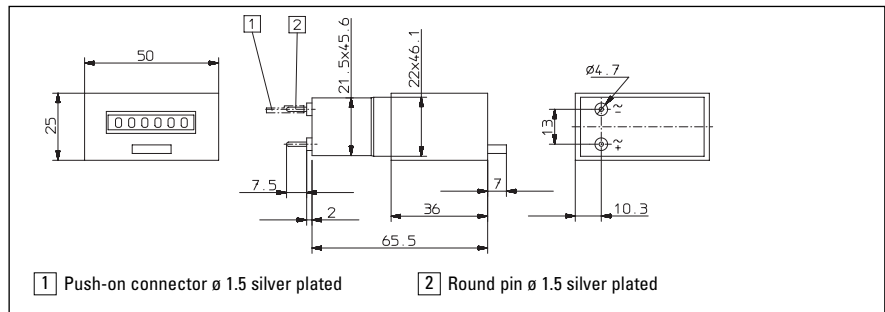
HB 26.31



Voltage	Art-No. (AC), 50 Hz	Art-No. (AC), 60 Hz	Art-No. (V DC)
10 ... 30			
20 ... 30	3.160.311.071	3.160.311.081	3.160.311.351
36 ... 80			3.160.311.353
42 ... 48	3.160.311.072	3.160.311.082	
100 ... 130	3.160.311.074	3.160.311.084	3.160.311.381
187 ... 264	3.160.311.075	3.160.311.085	
360 ... 440	3.160.311.079	3.160.311.089	

1 Cable connection 2 x 0.5 mm², NYFAZ, 0.5 m lang
 3 Countersunk Bf4, DIN 74

HB 26.01.3

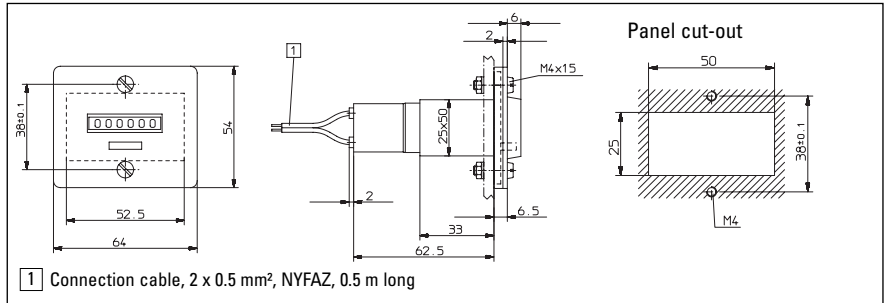


Voltage	Art-No. (AC), 50 Hz	Art-No. (AC), 60 Hz	Art-No. (V DC)
10 ... 30			
20 ... 30	3.165.011.071	3.165.011.081	3.165.011.351
36 ... 80			3.165.011.353
42 ... 48	3.165.011.072	3.165.011.082	
100 ... 130	3.165.011.074	3.165.011.084	3.165.011.381
187 ... 264	3.165.011.075	3.165.011.085	
360 ... 440	3.165.011.079	3.165.011.089	

Socket box 945.2

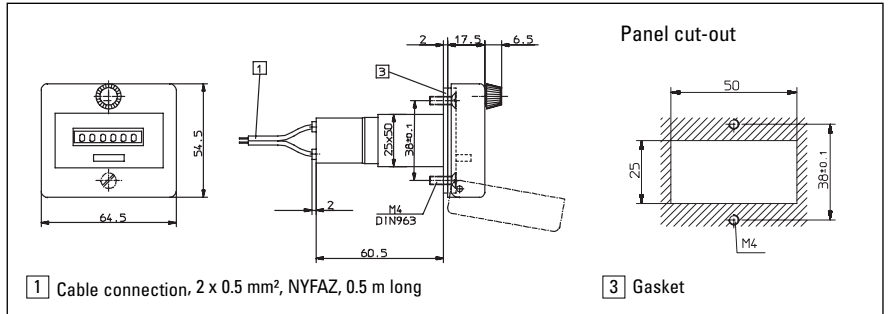
Time meter

K1 HB 26.31



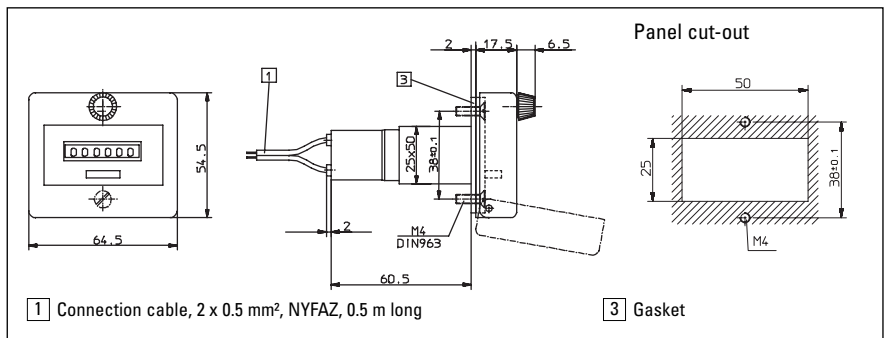
Voltage	Art-No. (AC), 50 Hz	Art-No. (AC), 60 Hz	Art-No. (V DC)
10 ... 30			3.160.611.351
20 ... 30	3.160.611.071	3.160.611.081	
36 ... 80			3.160.611.353
42 ... 48	3.160.611.072	3.160.611.082	
100 ... 130	3.160.611.074	3.160.611.084	3.160.611.381
187 ... 264	3.160.611.075	3.160.611.085	
360 ... 440	3.160.611.079	3.160.611.089	

Dv HB 26.31



Voltage	Art-No. (AC), 50 Hz	Art-No. (AC), 60 Hz	Art-No. (V DC)
10 ... 30			3.160.711.351
20 ... 30	3.160.711.071	3.160.711.081	
36 ... 80			3.160.711.353
42 ... 48	3.160.711.072	3.160.711.082	
100 ... 130	3.160.711.074	3.160.711.084	3.160.711.381
187 ... 264	3.160.711.075	3.160.711.085	
360 ... 440	3.160.711.079	3.160.711.089	

Dvs HB 26.31



Voltage	Art-No. (AC), 50 Hz	Art-No. (AC), 60 Hz	Art-No. (V DC)
10 ... 30			3.160.811.351
20 ... 30	3.160.811.071	3.160.811.081	
36 ... 80			3.160.811.353
42 ... 48	3.160.811.072	3.160.811.082	
100 ... 130	3.160.811.074	3.160.811.084	3.160.811.381
187 ... 264	3.160.811.075	3.160.811.085	
360 ... 440	3.160.811.079	3.160.811.089	

X-ON Electronics

Largest Supplier of Electrical and Electronic Components

Click to view similar products for [kübler](#) manufacturer:

Other Similar products are found below :

[05.2400.1122.0360](#) [3.167.211.075](#) [6.529.012.300](#) [05.2400.1122.0100](#) [3.100.200.383](#) [1.130.000.033](#) [1.150.510.013.550](#) [6.521.012.300](#)
[1.132.101.033](#) [1.150.510.012.550](#) [3.102.101.383](#)