

REV	DESCRIPTION	BY	DATE	ECO NO.																		
0	ADD RAW CABLE SPECIFICATIONS	RDS	06/25/15	50363																		
<p>1. "*" INDICATES CABLE LENGTH IN METERS. CONTACT TURCK TO ORDER SPECIFIC LENGTHS.</p> <p>NOTES:</p>																						
<table border="1"> <thead> <tr> <th>CABLE LENGTH</th> <th>TOLERANCE *</th> </tr> </thead> <tbody> <tr> <td>0-7mm</td> <td>±0.5mm</td> </tr> <tr> <td>±1.0mm</td> <td>±1.0mm</td> </tr> <tr> <td>±2.0mm</td> <td>±2.0mm</td> </tr> <tr> <td>±3.0mm</td> <td>±3.0mm</td> </tr> <tr> <td>±4.0mm</td> <td>±4.0mm</td> </tr> <tr> <td>±5.0mm</td> <td>±5.0mm</td> </tr> <tr> <td>70-100mm</td> <td>±4.0mm</td> </tr> <tr> <td>OVER 100mm</td> <td>±5.0mm</td> </tr> </tbody> </table>					CABLE LENGTH	TOLERANCE *	0-7mm	±0.5mm	±1.0mm	±1.0mm	±2.0mm	±2.0mm	±3.0mm	±3.0mm	±4.0mm	±4.0mm	±5.0mm	±5.0mm	70-100mm	±4.0mm	OVER 100mm	±5.0mm
CABLE LENGTH	TOLERANCE *																					
0-7mm	±0.5mm																					
±1.0mm	±1.0mm																					
±2.0mm	±2.0mm																					
±3.0mm	±3.0mm																					
±4.0mm	±4.0mm																					
±5.0mm	±5.0mm																					
70-100mm	±4.0mm																					
OVER 100mm	±5.0mm																					
<table border="1"> <thead> <tr> <th>CABLE LENGTH</th> <th>TOLERANCE *</th> </tr> </thead> <tbody> <tr> <td>+4% (OR 50mm) OF LENGTH</td> <td></td> </tr> <tr> <td>-0% (OR 0mm) OF LENGTH</td> <td></td> </tr> <tr> <td>WHICHEVER IS GREATER</td> <td></td> </tr> </tbody> </table>					CABLE LENGTH	TOLERANCE *	+4% (OR 50mm) OF LENGTH		-0% (OR 0mm) OF LENGTH		WHICHEVER IS GREATER											
CABLE LENGTH	TOLERANCE *																					
+4% (OR 50mm) OF LENGTH																						
-0% (OR 0mm) OF LENGTH																						
WHICHEVER IS GREATER																						
<table border="1"> <thead> <tr> <th>STMP LENGTH</th> <th>TOLERANCE *</th> </tr> </thead> <tbody> <tr> <td>0-7mm</td> <td>±0.5mm</td> </tr> <tr> <td>±1.0mm</td> <td>±1.0mm</td> </tr> <tr> <td>±2.0mm</td> <td>±2.0mm</td> </tr> <tr> <td>±3.0mm</td> <td>±3.0mm</td> </tr> <tr> <td>±4.0mm</td> <td>±4.0mm</td> </tr> <tr> <td>±5.0mm</td> <td>±5.0mm</td> </tr> <tr> <td>70-100mm</td> <td>±4.0mm</td> </tr> <tr> <td>OVER 100mm</td> <td>±5.0mm</td> </tr> </tbody> </table>					STMP LENGTH	TOLERANCE *	0-7mm	±0.5mm	±1.0mm	±1.0mm	±2.0mm	±2.0mm	±3.0mm	±3.0mm	±4.0mm	±4.0mm	±5.0mm	±5.0mm	70-100mm	±4.0mm	OVER 100mm	±5.0mm
STMP LENGTH	TOLERANCE *																					
0-7mm	±0.5mm																					
±1.0mm	±1.0mm																					
±2.0mm	±2.0mm																					
±3.0mm	±3.0mm																					
±4.0mm	±4.0mm																					
±5.0mm	±5.0mm																					
70-100mm	±4.0mm																					
OVER 100mm	±5.0mm																					
<p>RELATED DOCUMENTS</p>																						
<p>1. CONTACT ANGLE PROJECTION</p> <p>2. INC. USE OF THIS DOCUMENT WITHOUT WRITTEN PERMISSION IS PROHIBITED.</p> <p>3. THIS DRAWING IS CONFIDENTIAL AND THE PROPERTY OF TURCK</p> <p>4. ALL DIMENSIONS DISPLAYED ON THIS DRAWING ARE FOR REFERENCE ONLY</p>																						
<p>FINISH</p>																						
<p>CONTACT TURCK FOR MORE INFORMATION</p>																						
<p>MATERIAL</p>																						
<p>DRAFT RDS DATE 1/23/02</p>																						
<p>APVD SCALE 1=1.0</p>																						
<p>UNIT OF MEASUREMENT</p>																						
<p>MILLIMETER [INCH]</p>																						
<p>DO NOT SCALE THIS DRAWING</p>																						
<p>FILE: 777005949</p>																						
<p>SHEET 1 OF 1</p>																						

3000 CAMPUSS DRIVE
MINNEAPOLIS, MN 55441
1-800-544-7769
(763) 553-7300
(763) 553-0708 fax
turck.com

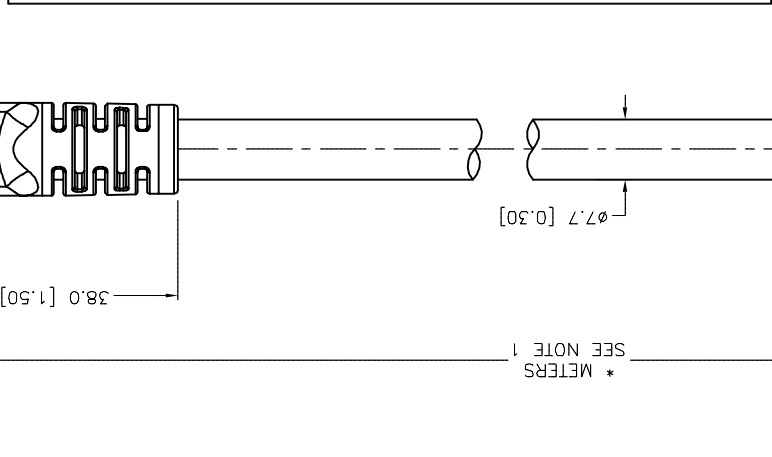
TURCK INC
High Technology Sensors and Automation Controls

DESCRIPTION RDS R445S 841-*M
IDENTIFICATION NO.
REV

SOURCE DRAWING - FOR REFERENCE ONLY

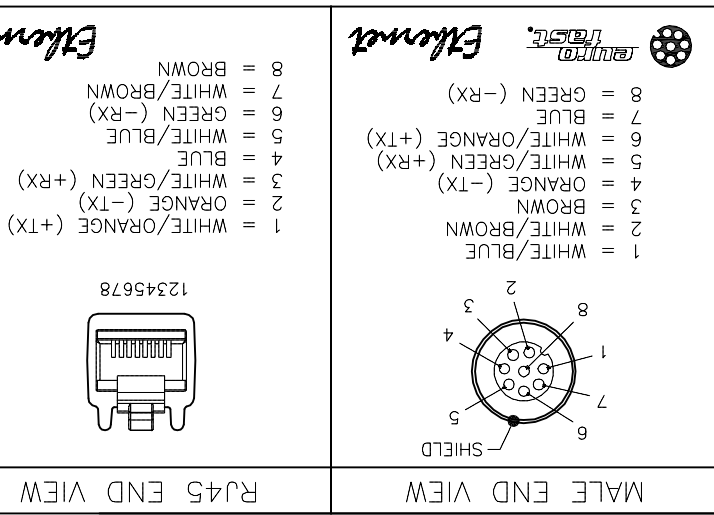
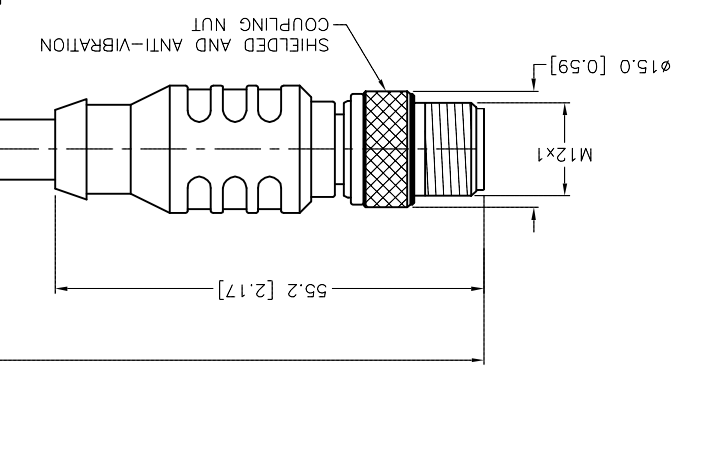
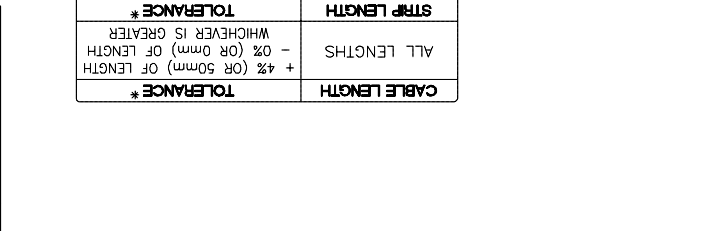
"841" RAW CABLE SPECIFICATIONS

CABLE PROPERTIES: OIL, UV, WELD SLAG, AND ABRASION RESISTANT
VOLTAGE RATINGS (MAX): 600V
CATEGORY: CAT 5e; (CABLE WILL MEET CAT 5e CHANNEL REQUIREMENTS TO 90M LENGTH)
POE COMPLIANT (802.3at): UP TO 80M LENGTH WHEN INSTALLED PER RECOMMENDATIONS IN TIA TSB-184
FLEXLIFE: 10X CABLE OD MIN: 1 MILLION CYCLES (TICK TOCK)
20X CABLE OD MIN: 10 MILLION CYCLES (TICK TOCK)
TORSION TEST: 3 MILLION CYCLES (1IB LOAD, 360°-71 CYCLES/MIN)
APPROVALS: (UL)US CMX-OUTDOOR-CM LISTED, AWM RECOGNIZED
COMPLIANT WITH NEC ARTICLE 800 COMMUNICATIONS CABLES



SPECIFICATIONS

CONTACT CARRIER MATERIAL (P1)	NYLON OR TPU
MOLDED HEAD MATERIAL/COLOR (P1)	TPU/BLACK
CONTACT MATERIAL/PLATING (P1)	BRASS/GOLD
COUPLING NUT MATERIAL/PLATING (P1)	BRASS/NICKEL
CONTACT CARRIER MATERIAL/COLOR (P2)	POLYCARBONATE/CLEAR
MOLDED HEAD MATERIAL/COLOR (P2)	TPU/BLACK
CONTACT MATERIAL/PLATING (P2)	BRONZE/GOLD
RATED CURRENT [A]	1.5 A
RATED VOLTAGE [V]	42 V
OUTER CABLE JACKET MATERIAL/COLOR	TPE/TEAL
CONDUCTOR INSULATION MATERIAL	HDPE
NUMBER OF CONDUCTORS [AWG]	8x24 AWG, STRANDED, CAT 5e
SHIELDING	ALUM.-POLYESTER FOIL, TINNED-COPPER BRAID
TEMPERATURE RANGE	-40°C to +80°C (-40°F to +176°F)
PROTECTION CLASS (P1)	MEETS IEC IP67 (R445:IP20)



X-ON Electronics

Largest Supplier of Electrical and Electronic Components

Click to view similar products for [turck](#) manufacturer:

Other Similar products are found below :

[BI10-M30-AP6X-H1141](#) [BI2-G12-AZ33X-7M](#) [BS4151-0/13.5](#) [NI12U-G18-ADZ30X2-B1331](#) [NI12U-M18-AN4X](#) [BI1.5-G08K-AN6X](#) [BI5-G18-AZ3X](#) [BI5-G18-AZ3X-B1331-50MM](#) [VB20](#) [B 5143-0](#) [BMWS 8151-0/9](#) [BI30U-CK40-AP6X2-H1141](#) [NI12U-M18-AP6X-H1141](#) [NI4U-EG08-AN6X-H1341](#) [BS 4151-0/9](#) [NI5-G12-AP6X-H1141](#) [NI14-G18-ADZ30X2](#) [FEN20-4DIP-4DXP-DIN](#) [BC10-QF5.5-RN6X2](#) [PKG 3M-4/S90](#) [FCS-N1/2A4P-AP8X-H1141](#) [FKFD 4.5](#) [RK40-2M](#) [BI5-G18-AP6X-B1441/S34](#) [NI3-EG08K-Y1-H1341](#) [RI360P0-QR24M0-INCRX2-H1181](#) [BCF5-S18-RP4X/S90](#) [BI5-M18-Y0X-H1141](#) [NI35U-CK40-ADZ30X2-B3131 W/BS4](#) [WK 4T-2](#) [IM1-22EX-T](#) [RK 4T-10](#) [BI 2-EG08K-AP6X-V1131](#) [NI12U-MT18-AP4X-H1141](#) [BI1.5-EG08-AP6X-H1341](#) [BC 5-Q08-AP6X2-V1131](#) [BC5-S18-Y1X](#) [CT 2-A30/M](#) [C10-T13X/024VDC](#) [FDN20-4S-4XSG-E](#) [FKV-CC](#) [FSFD 8](#) [CMBS 8141-0](#) [BI10-M30-AN6X-H1141](#) [CMB 8151-0](#) [WK 4.5T-2/S618](#) [VB80-P7X9-8/CS12](#) [FKFD 8](#) [NI4U-EG08-RP6X-V1131](#) [PKW 3M-6](#)