

# Customer Information Sheet

DRAWING No.: P25-XX26

SHEET 2 OF 2

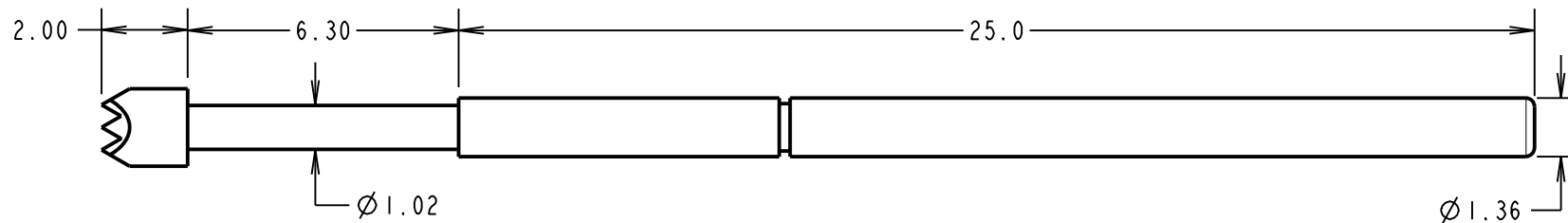
IF IN DOUBT - ASK

©

NOT TO SCALE

THIRD ANGLE PROJECTION

ALL DIMENSIONS IN mm



ORDER CODE:

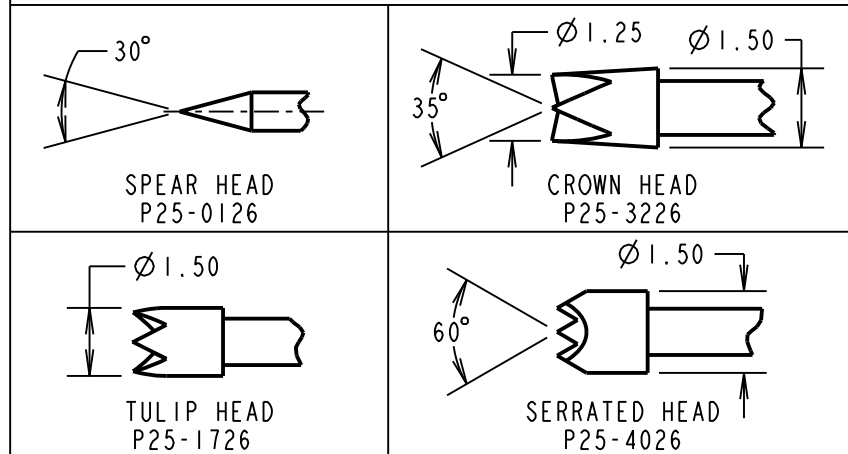
**P25-XX26**

PROBE HEAD  
VARIANT (SEE BELOW)

**NOTES:**

1. TO BE USED WITH SLEEVE S25-XX6.
2. SUITABLE FOR A MINIMUM DISTANCE BETWEEN CENTRES OF 2.54mm.

**PROBE HEAD VARIANTS**



**SPECIFICATIONS:**

**MATERIAL:**

PLUNGER = BERYLLIUM COPPER  
BARREL = PHOSPHOR BRONZE  
SPRING = MUSIC WIRE

**FINISH:**

PLUNGER, BARREL AND SPRING = GOLD OVER NICKEL

**ELECTRICAL:**

CURRENT RATING = 3A  
CONTACT RESISTANCE = 30 MILLIOHMS

**MECHANICAL:**

DURABILITY = 1,000,000 CYCLES  
FULL TRAVEL = 6.30mm

**SPRING FORCES:**

AT FULL TRAVEL =  $3.43N \pm 0.69N$  (350g  $\pm 20\%$ )  
AT 2/3 TRAVEL =  $2.26N \pm 0.45N$  (230g  $\pm 20\%$ )

**ENVIRONMENTAL:**

TEMPERATURE RANGE = -40°C TO +85°C

SM	5	16.03.11	11173
NAME	ISS.	DATE	C/NOTE
APPROVED: S. MCCULLAGH			
CHECKED:		R. ADDE	
DRAWN:		W. J. BOURNE	
CUSTOMER REF.:			
ASSEMBLY DRG:			

**HARWIN**

THIS DRAWING AND ANY INFORMATION OR DESCRIPTIVE MATTER SET OUT HEREON ARE CONFIDENTIAL AND COPYRIGHT PROPERTY OF THE HARWIN GROUP AND MUST NOT BE DISCLOSED, LOANED, COPIED OR USED FOR MANUFACTURING, TENDERING OR FOR ANY OTHER PURPOSE WITHOUT THEIR WRITTEN PERMISSION.

**TOLERANCES**

X. =  $\pm 1mm$   
X.X =  $\pm 0.25mm$   
X.XX =  $\pm 0.10mm$   
X.XXX =  $\pm 0.01mm$

ANGLES =  $\pm 5^\circ$   
UNLESS STATED

**MATERIAL:**

SEE ABOVE

FINISH: SEE ABOVE

S/AREA: mm<sup>2</sup>

**TITLE:**

2.54mm MIN. CENTRE  
TWO-PIECE SPRING PROBE

**DRAWING NUMBER:**

**P25-XX26**

HARWIN USA  
TEL: 603 893 5376  
FAX: 603 893 5396  
mis@harwin.com

HARWIN Europe (UK)  
TEL: 023 9231 4545  
FAX: 023 9231 4590  
mis@harwin.co.uk

HARWIN Asia  
TEL: +65 6 779 4909  
FAX: +65 6 779 3868  
mis@harwin.com.sg

SHT  
2 OF 2

## X-ON Electronics

Largest Supplier of Electrical and Electronic Components

*Click to view similar products for [Test Sockets](#) category:*

*Click to view products by [Harwin](#) manufacturer:*

Other Similar products are found below :

[AXS-5032-04-02](#) [AXS-3225-04-06](#) [AXS-7050-04-12](#) [5662](#) [BP30-10-B](#) [BP30GNN-1 PKG](#) [BP30-10Y-1 PKG](#) [AXS-7050-04-01](#) [AXS-5032-04-06](#) [AXS-2520-04-01](#) [AXS-5032-04-04](#) [930308101](#) [931714101](#) [15.0084-21](#) [563-0500](#) [20.1020-21](#) [20-313137](#) [20-313139](#) [20-313144](#) [20-313140](#) [20-313143](#) [22.1042](#) [+ 22.2370-22](#) [23.1010-23, 24, 25, 26, 27](#) [23.3060-23](#) [24.0160-1+25.0035](#) [24.0160-4+25.0035](#) [24.116-22](#) [5281](#) [5279](#) [450-3704-01-06-00](#) [AXS-3225-04-04](#) [AXS-3225-04-10](#) [AXS-7550-06-03](#) [AXS-7550-06-05](#) [269RB](#) [2713BB](#) [BP30BN-1 PKG](#) [BP30RN-1 PKG](#) [571-0200](#) [450-3422-01-06-00](#) [450-3888-01-04-00](#) [BP30GP10](#) [571-0400](#) [571-0600](#) [66.9131-23](#) [66.9427-22](#) [BP21-2BRN-B](#) [PKG](#) [930058104](#) [930103102](#) [930103188](#)