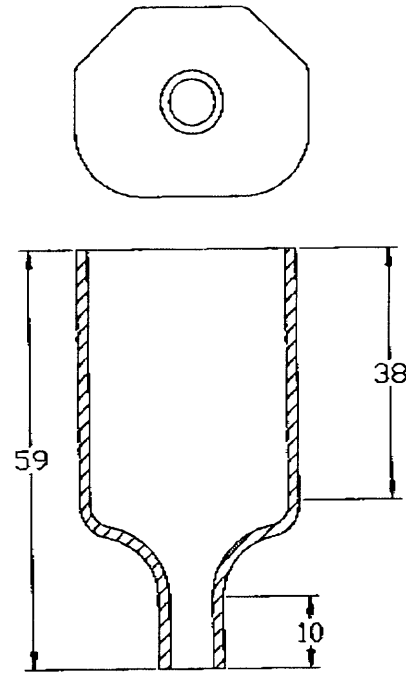
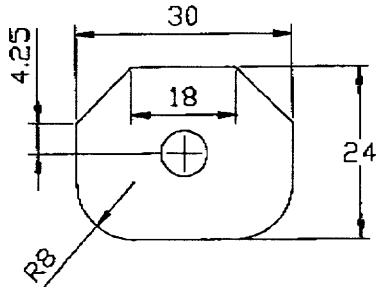
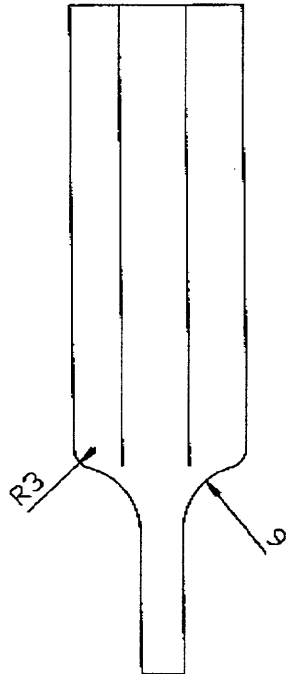
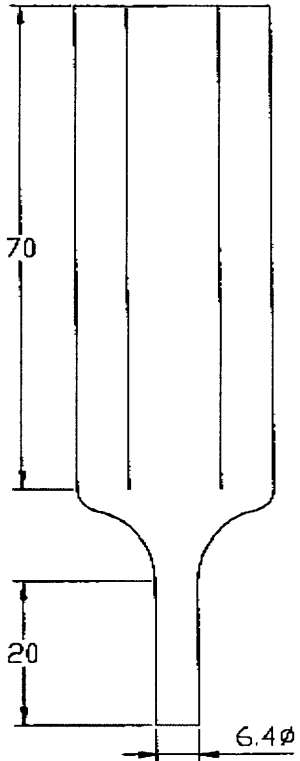


F10 151743

CUSTOMER
 MH CONNECTORS LTD
 P/NO.
 DIP-IEC7-BK

TOOL:
 CAST ALUMINIUM



<p>The contents of this drawing must not be used for any purpose without prior written permission from the owners.</p>	<p>TITLE BOOT 70 SHORE MATT BLACK</p>	General tolerance unless otherwise stated		<p>PROD ISS 1 DC09/10/97</p>
		<p>Linear ± 0.25 Diameter ± 0.2 Concentricity ± 0.2 Angular ± 0.5 Degrees REMOVE ALL BURRS & SHARP CORNERS TO: MIN 1.0 45 DEGREES MIN 2.0 RADIUS</p>	<p>TOOL</p>	
				<p>CPL_REF: 151-743</p>

X-ON Electronics

Largest Supplier of Electrical and Electronic Components

Click to view similar products for [mckee hagborg](#) manufacturer:

Other Similar products are found below :

[DIP-IMI3A-BK](#) [DIP-IEC6L-BK](#)