

Heatsink

Standard lengths	n	b / d Ø mm	$R_{thha}$	$R_{thha}$	w kg
			natural cooling K/W	with Fan SKF 3-230-01 K/W	
P 3/120	1	20	0,55 (100W)	0,167	2,1
	3		0,43 (150W)	0,147	
	6		0,36 (180W)	0,12	
P 3/180	2	20	0,39 (150W)	0,132	3,1
	3		0,36 (180W)	0,108	
	6		0,33 (200W)	0,144	
P 3/300	1	34		0,118	5,3
	3			0,0847	
	3				

For isolated power modules

P 3

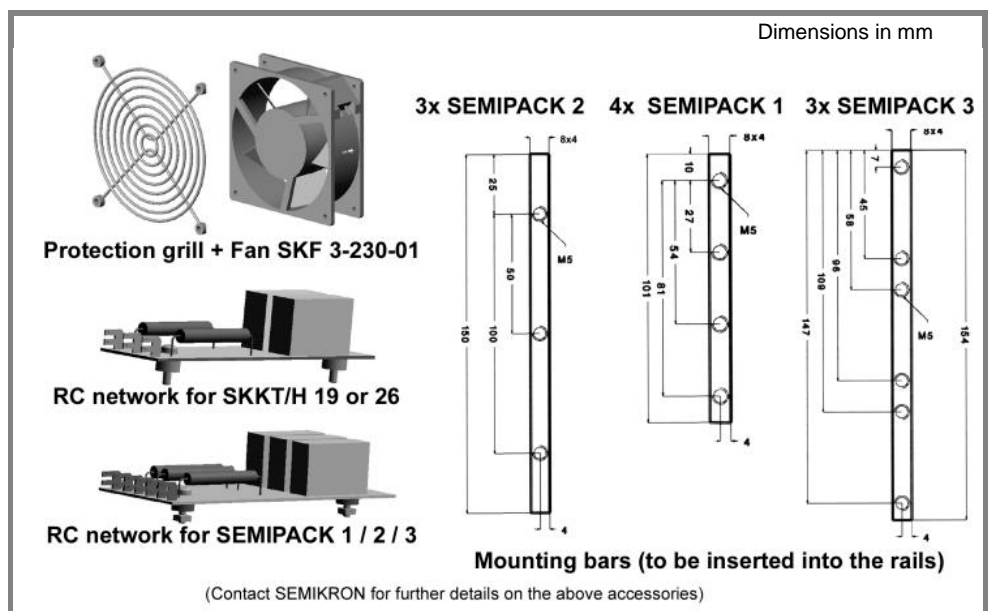
**Features**

- Intended for isolated power modules, SEMIPACK (1 to 4) and SEMITRANS 2 range
- Integrated rails allow for easy mounting of the modules
- Available in various lengths
- Best fitted fan : SKF 3-230-01
- Mounting bar rails available (see sketches)



Dimensions in mm

P3 general profile dimensions (w = 17,6 kg/m)



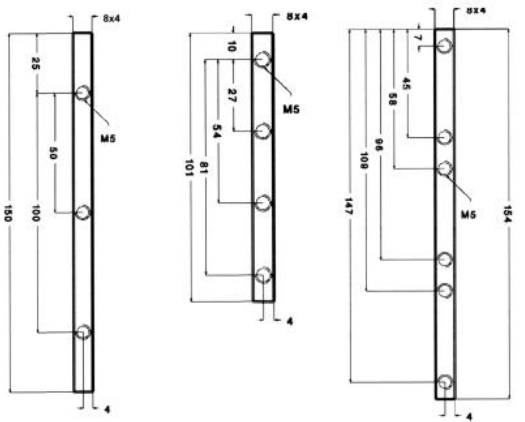
Dimensions in mm

Protection grill + Fan SKF 3-230-01

RC network for SKKT/H 19 or 26

RC network for SEMIPACK 1 / 2 / 3

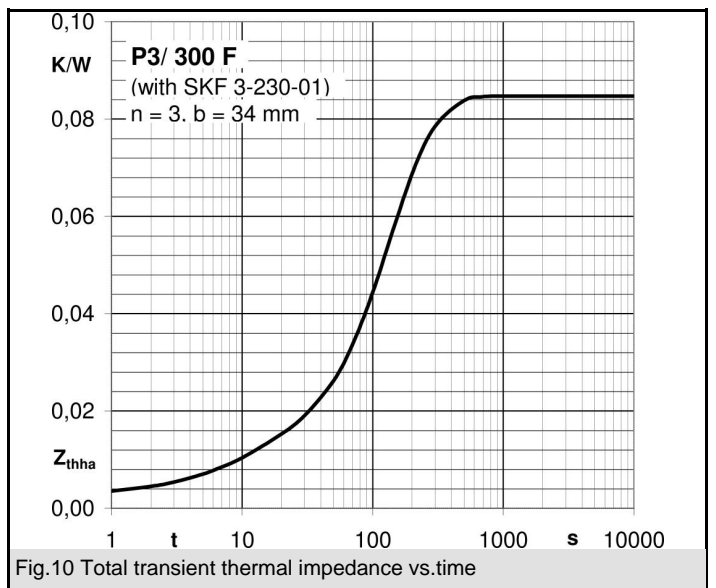
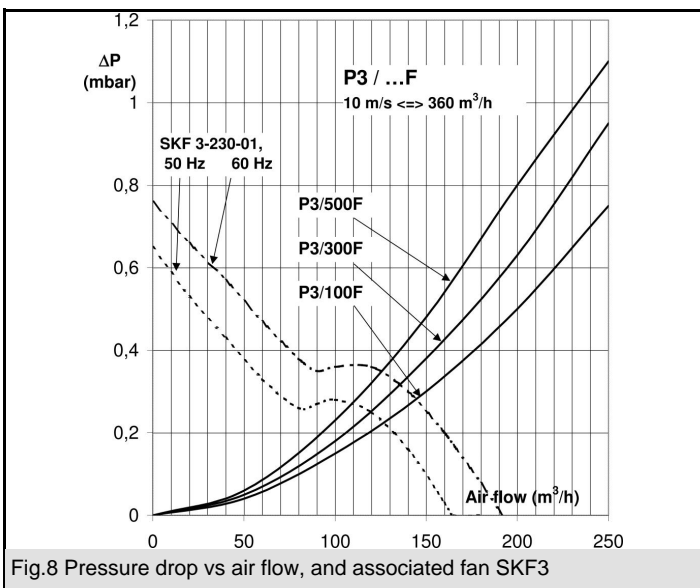
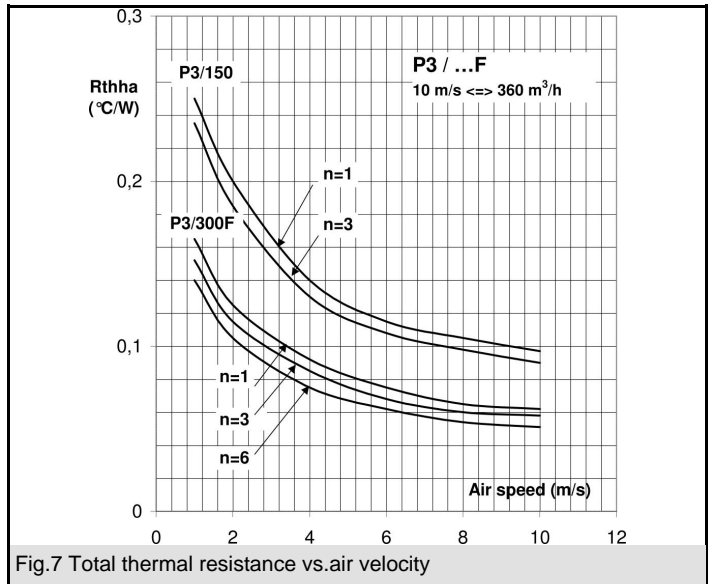
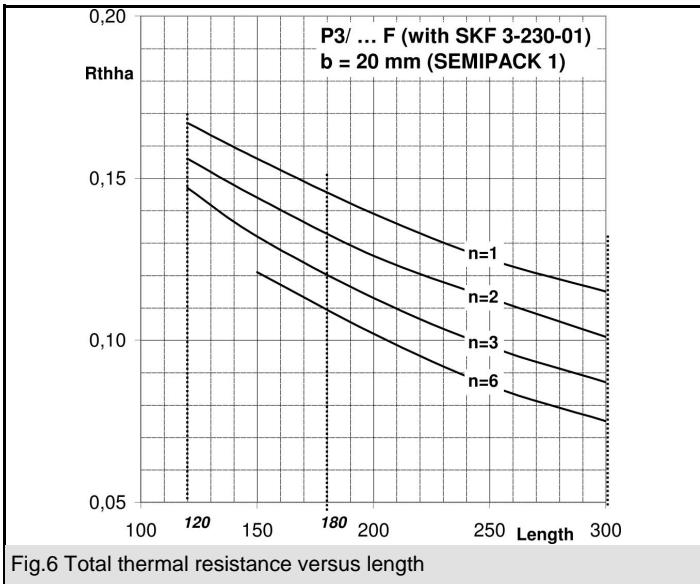
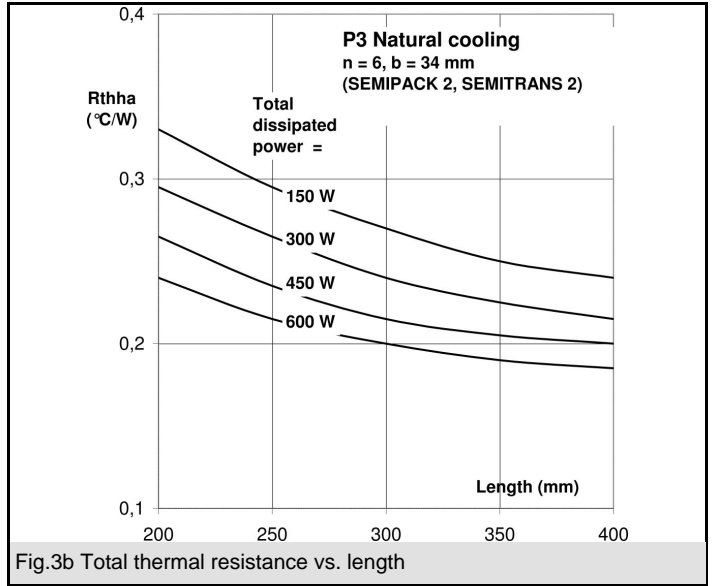
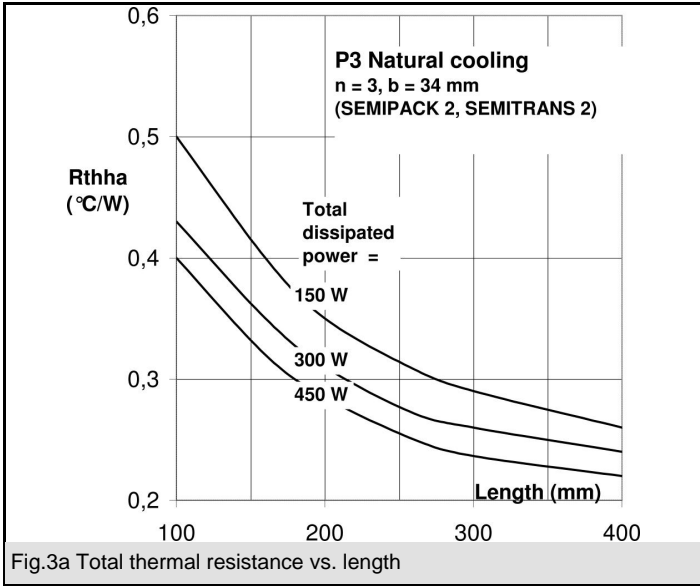
3x SEMIPACK 2    4x SEMIPACK 1    3x SEMIPACK 3



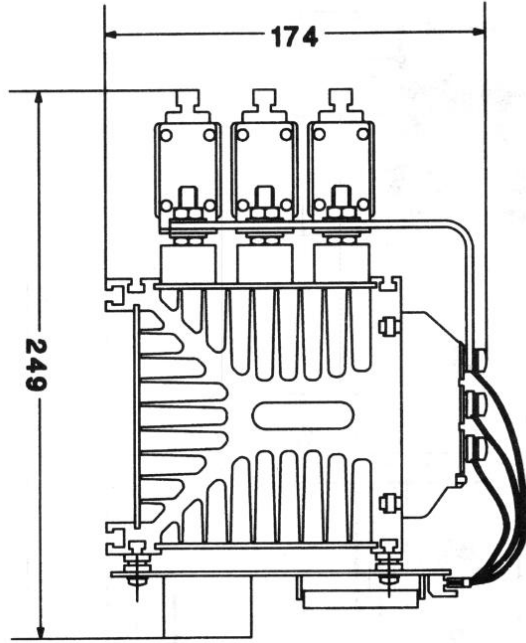
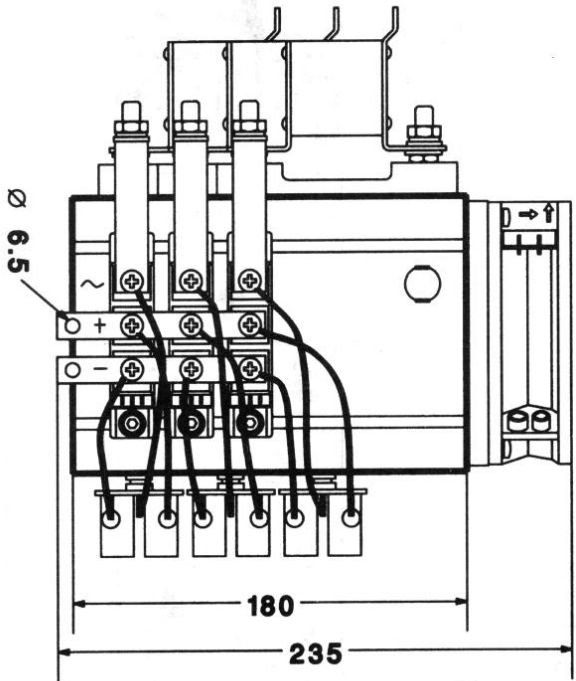
Mounting bars (to be inserted into the rails)

(Contact SEMIKRON for further details on the above accessories)

P 3 standard accessories



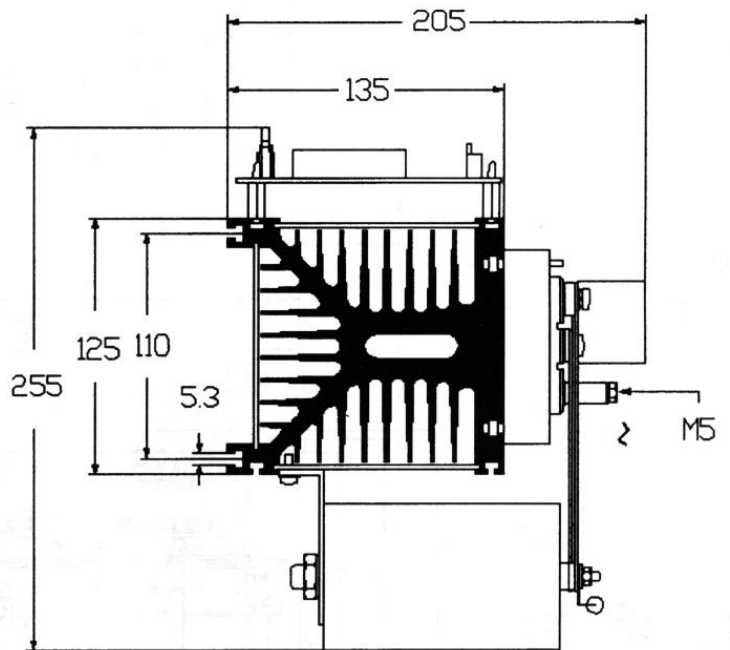
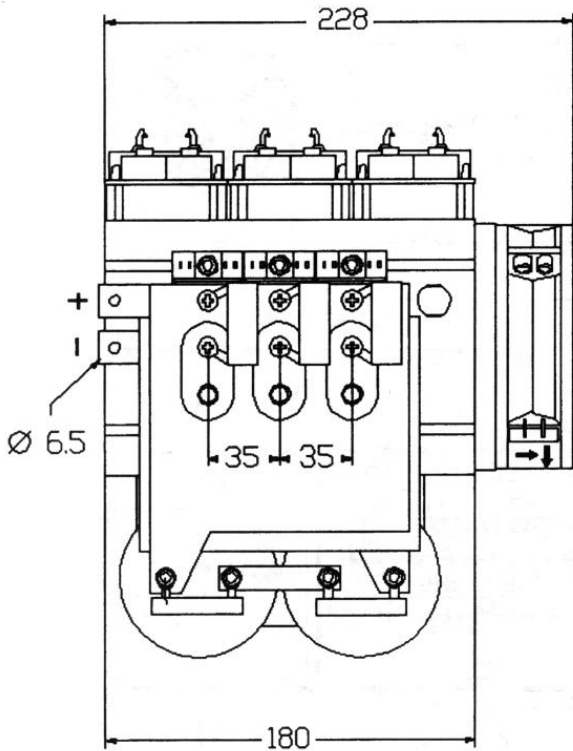
### P3/180 F



**This figure shows all available options**

1. Application example using heatsink P 3/180 and SEMIPACK modules to give a three phase bridge

### P3/180



2. Application example using SEMITRANS modules to give a B6CI configuration

# X-ON Electronics

Authorized Distributor

*Click to view similar products for [Semikron manufacturer](#).*

Other Similar products are found below :

[ACCKITFOR12XSEMIPACK1DIOD](#) [BI2512](#) [BOARD4SSKYPER32PROR](#) [DBI2504P](#)  
[DBI2508P](#) [DBI2510P](#) [DBI2512P](#) [DBI2516P](#) [DBI2518P](#) [DBI2520P](#) [DBI2522P](#) [DBI604P](#)  
[DBI608P](#) [DBI616](#) [DBI616P](#) [DBI620P](#) [P3120](#) [P3300B](#) [P6KE39CA](#) [SEMIX241DH16S](#)  
[SEMIX341D16S](#) [SEMIX402GAL066HDS](#) [SEMIX453GB12E4S](#) [SK100KQ08](#)  
[SK100KQ16](#)