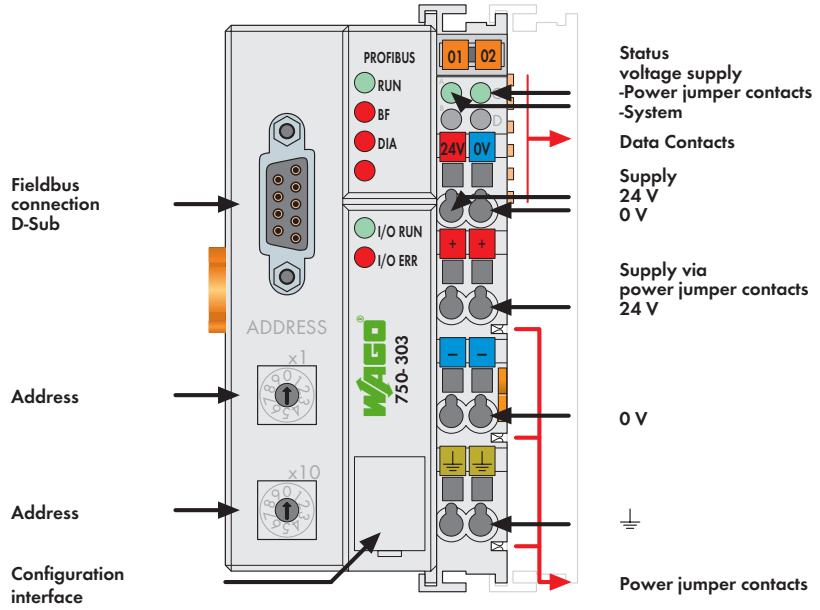


PROFIBUS DP/FMS Fieldbus Coupler

12 Mbaud; digital and analog signals



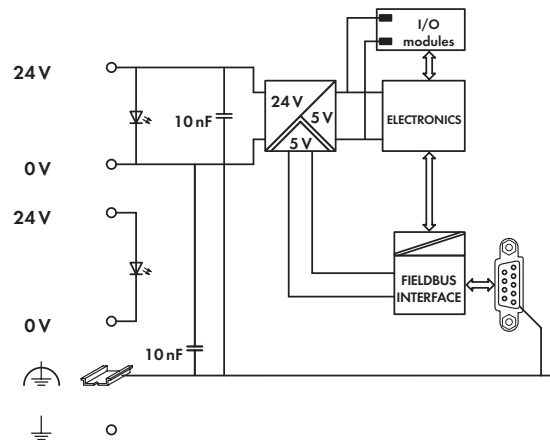
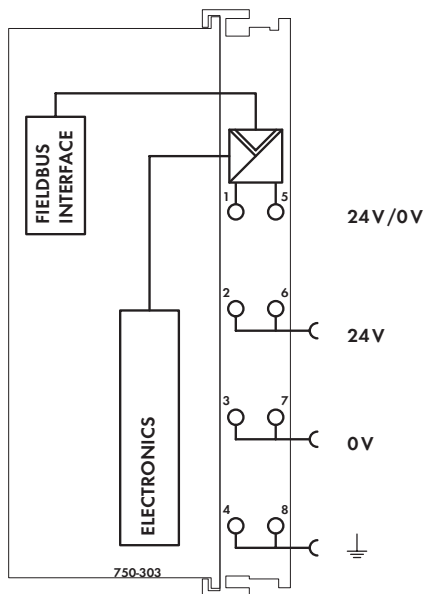
This buscoupler connects the WAGO-I/O-SYSTEM as a slave to the PROFIBUS fieldbus. The buscoupler automatically configures, creating a local process image which may include analog, digital or specialty modules. Analog and specialty module data is sent via words and/or bytes, digital data is sent bit by bit. PROFIBUS stores the process image in the corresponding Master control (PLC, PC or NC).

The local process image is divided into two data zones containing the data received and the data to be sent. The process data can be sent via the PROFIBUS fieldbus to the PLC, PC or NC for further processing, and received from the field via PROFIBUS. The data of the analog modules is stored in the process image which is created automatically according to the order in which the modules are connected to the buscoupler. The bits of the digital modules are sent byte by byte and added to the analog data. If the amount of digital information exceeds 8 bits, the buscoupler automatically starts with a new byte.

When implementing new installations with PROFIBUS DP, please consider 750-333 Fieldbus Coupler with extended functions (page 104). Notice: GSD files required

Description	Item No.	Pack. Unit
PROFIBUS DP/FMS 12 MBd	750-303	1
Accessories		
GSD files	Download: www.wago.com	
Miniature WSB Quick marking system		
plain	248-501	5
with marking	see pages 352 ... 353	
Standards and Approvals		
Standard	Also see "Approvals Overview" in Section 1	
Certification	EN 50170	
Conformity marking	PNO	
Shipbuilding	CE	
UL 508	ABS, BV, DNV, GL, KR, LR, NKK, PRS, RINA	
ANSI/ISA 12.12.01	Class I, Div. 2, Grp. ABCD, T4	
EN 60079-0, -15	I M2 / II 3 GD Ex nA nL IIC T4	
EN 61241-0, -1		

System Data	
No. of couplers connected to Master	96 with repeater
Max. no. of I/O points	approx. 6000 (depends on master)
Transmission medium	Cu cable acc. to EN 50170
Max. length of fieldbus segment	100 m ... 1200 m (depends on baud rate/cable)
Baud rate	9.6 Kbaud ... 12 Mbaud
Transmission time	typ. 1 ms (10 couplers; 32 digital I/Os per coupler at 12 Mbaud) max. 3.3 ms
Buscoupler connection	1 x D-Sub 9; socket



Technical Data		General Specifications	
Number of I/O modules	64	Operating temperature	0 °C ... +55 °C
Fieldbus		Wire connection	CAGE CLAMP®
Max. input process image	128 bytes	Cross sections	0.08 mm ² ... 2.5 mm ² / AWG 28 ... 14
Max. output process image	128 bytes	Stripped lengths	8 ... 9 mm / 0.33 in
	up version 05xx, max. 64 bytes	Dimensions (mm) W x H x L	51 x 65 x 100
Configuration	via PC or PLC		Height from upper-edge of DIN 35 rail
Power supply	24 V DC (-25 % ... +30 %)	Weight	190 g
Max. input current (24 V)	500 mA	Storage temperature	-25 °C ... +85 °C
Efficiency of the power supply	87 %	Relative air humidity (no condensation)	95 %
Internal current consumption (5 V)	350 mA	Vibration resistance	acc. to IEC 60068-2-6
Total current for I/O modules (5 V)	1650 mA	Shock resistance	acc. to IEC 60068-2-27
Isolation	500 V system/supply	Degree of protection	IP20
Voltage via power jumper contacts	24 V DC (-25 % ... +30 %)	EMC: CE - immunity to interference	acc. to EN 61000-6-2 (2005)
Current via power jumper contacts (max.)	10 A DC	EMC: CE - emission of interference	acc. to EN 61000-6-4 (2007)
		EMC: marine applications	
		- immunity to interference	acc. to Germanischer Lloyd (2003)
		EMC: marine applications	
		- emission of interference	acc. to Germanischer Lloyd (2003)

X-ON Electronics

Largest Supplier of Electrical and Electronic Components

Click to view similar products for [wago manufacturer](#):

Other Similar products are found below :

[750-460](#) [231-118/026-000](#) [231-303/026-000](#) [231-620/019-000](#) [257-403](#) [280-438](#) [280-831](#) [284-624](#) [210-111](#) [231-303/037-000](#) [231-446/001-000_NR](#) [232-216/026-000](#) [234-510](#) [264-726](#) [280-339](#) [0283-0671](#) [830-800/000-305](#) [750-512](#) [750-455](#) [51251782](#) [286-312](#) [713-1428/107-000](#) [731-138/048-000](#) [750-459](#) [750-517](#) [793-3505](#) [826-172](#) [859-304](#) [280-335](#) [231-535/001-000](#) [2604-1106](#) [2604-1504](#) [2606-1103/020-000](#) [2624-1103](#) [2626-3103/020-000](#) [821-104](#) [713-1107](#) [852-1411](#) [2106-1307](#) [2116-5307](#) [832-1205](#) [832-3604](#) [2009-110](#) [281-512/281-501](#) [286-336](#) [750-421](#) [750-838](#) [753-559](#) [750-1505](#) [787-732](#)