

The RSF30 series is a range of higher power side entry, internally fitted devices. These may be used for directly switching some small loads of less than 100VA. Mounting of this series requires access to the inside of the tank. They are manufactured in Nylon or Polypropylene, with a choice of gasket materials, to suit most commonly used liquids.



- **100W contacts**
- **Rugged design**
- **Reliable reed switch contacts**
- **WRAS approval**
- **Many variants are UL recognised components File No. E171218**

The switch action may be reversed by rotating the device through 180°.

Technical Specification	RSF33	RSF34
Material	Nylon	Polypropylene
Colour	Black	Opaque
Temp. Range °C	-20 / +75	-20 / +100
°F	-4 / +167	+4 / +212
Min. Fluid S.G.	0.8	0.8
Must Close Level (S.G.=1)	20mm	23mm
Must Open Level (S.G.=1)	47mm	52mm

\*Maximum temperature requires ETFE cable to be specified.

Electrical Specification	
Contact Form	N/O (N/C)
Switching Power Max. VA	100
Switching Voltage AC Max.	240
Switching Voltage DC Max.	120
Switching Current Max. A	5

All ratings are for resistive load only.

Standard Parts	Material	Leadouts	Gaskets
RSF33Y100RC	Nylon	1.0m PVC 16/0.2 UL approved	Nitrile
RSF34W100RF	Polypropylene	1.0m PVC 16/0.2 UL approved	Nitrile

Custom versions can be made for particular applications. Please contact Cynergy<sup>3</sup> with your requirements.

**USA**

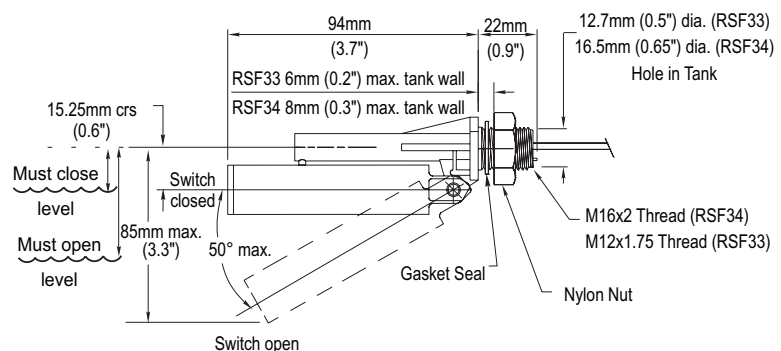
Cynergy3 Components  
2320 Paseo de las Americas, Suite 104  
San Diego, CA 92154  
Sales & Tech Support (866) 258-5057  
Email: sales@cynergy3.com

**EUROPE - UK**

Cynergy3 Components Ltd.  
7 Cobham Road  
Ferndown Industrial Estate  
Wimborne, Dorset BH21 7PE  
Telephone +44 (0) 1202 897969  
Fax +44 (0) 1202 891918  
Email:sales@cynergy3.com

**Mechanical Dimensions**

All dimensions are in millimeters (inches)



## X-ON Electronics

Largest Supplier of Electrical and Electronic Components

*Click to view similar products for [cynergy3](#) manufacturer:*

Other Similar products are found below :

[EXT050M16SS](#) [EXT075G38SS](#) [DAT70515T](#) [DAT72415T](#) [ILLSU-GI048-D-003](#) [ILLSU-GI120-5-005](#) [ILLSU-GI120-D-005](#) [ILLSU-GI240-5-008](#) [ILLSU-GI240-D-008](#) [ILLSU-GI360-5-012](#) [ILLSU-GI480-D-016](#) [ILSEU-GI120-5](#) [ILSU-GI120-005](#) [ILSU-GI1K8-060](#) [ILSU-GI360-016](#) [ILSU-GI3K6-110](#) [ILSU-GI720-025](#) [ILTSU-GI048-003](#) [IPSLU-GP002-D](#) [IPSU-C0446-5](#) [IPSU-C0447-6](#) [IPSU-GP150-3](#) [LC05FBR-PUR](#) [LC10FBR-PVC](#) [LC10FBS-PVC](#) [LM10AW](#) [LM10CW](#) [SH-3052](#) [SH-3151](#) [SH-3151RH](#) [SH-5151](#) [SH-5151RH](#) [SH-5653](#) [SH-5653RH](#) [SH-7052](#) [EXT100G38SS](#) [SSF214X100](#) [SSF67V70S500](#) [SSV66A24A813E34NP](#) [SSV66A24E34NP](#) [TSF44H100DF](#) [TSF73Y100DN](#) [TSF86H050T](#) [MP1C-3](#) [ILLSU-GI360-D-012](#) [ILLSU-GI480-5-016](#) [ILSEU-GI048-5](#) [ILSU-GI048-003](#) [ILTSU-GI180-007](#) [IPSLU-GP008-5](#)