

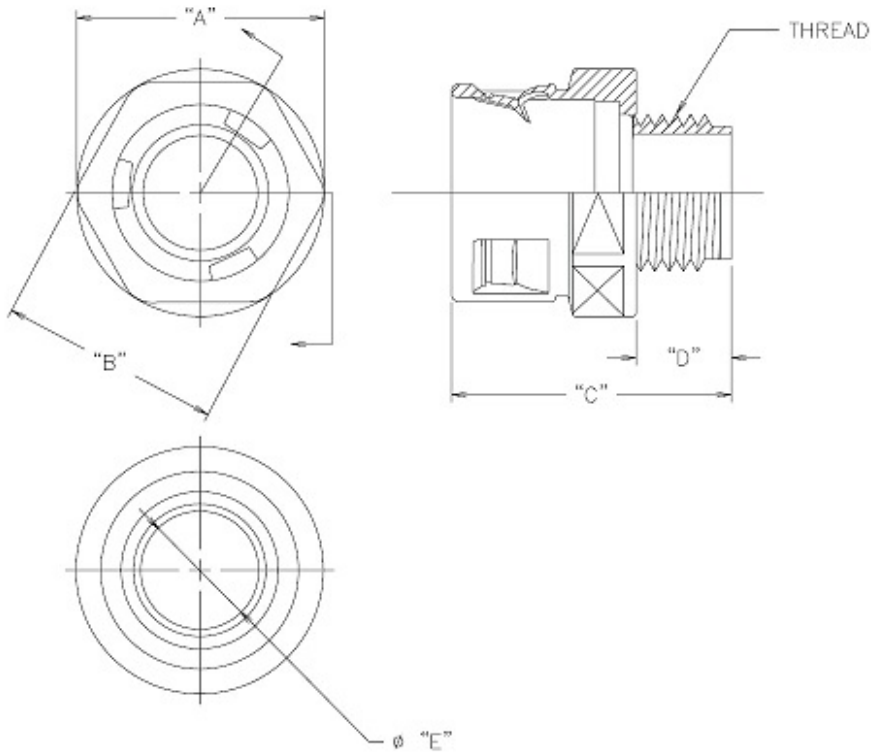


TYPE - CFSStraightIP68



Contact your local Sales Representative [Click Here for Printable Version](#)

| | | | | NPT | Threaded | Fittings | | | |
|---------|---------------|----|----|-------------|-----------|----------|-----------------|--------|-------------------------|
| Cat # | US Trade Size | MM | NW | Thread Size | Unit Pack | Part # | Standard Carton | Part # | List Price Per 100 Pcs. |
| CFS-140 | 1/4" | 10 | 7 | PG-7 | 1 | 90820 | - | - | \$497.00 |
| CFS-516 | 5/16" | 12 | 10 | PG-9 | 1 | 90822 | - | - | \$507.00 |
| CFS-10 | 3/8" | 16 | 12 | 1/2" NPT | 25 | 90831 | 100 | 90832 | \$494.00 |
| CFS-11 | 1/2" | 20 | 17 | 1/2" NPT | 25 | 90841 | 100 | 90842 | \$514.00 |
| CFS-12 | 3/4" | 25 | 23 | 3/4" NPT | 25 | 90851 | 50 | 90852 | \$624.00 |
| CFS-13 | 1" | 32 | 29 | 1" NPT | 10 | 90861 | 30 | 90862 | \$762.00 |
| CFS-14 | 1-1/4" | 40 | 36 | 1-1/4" NPT | 5 | 90871 | 20 | 90872 | \$1,250.00 |
| CFS-15 | 1-1/2" | 50 | 48 | 1-1/2" NPT | 2 | 90881 | 10 | 90882 | \$1,338.00 |



TYPE - CFSStraightIP68

IP 68 is the equivalent to NEMA 6 and can withstand water from entering during submersion

Plastic Used: NYLON [See the Chemical Resistance Guide](#)

| High Mech. Strength | Listed For Direct Burial | Halogen Free | Low Fire Hazard | Accepts Standard Liquidtight Fittings | Self Extinguish | EMI/RFI Shielding | Oil Resistance | Acid Resistance |
|---------------------|--------------------------|--------------|-----------------|---------------------------------------|-----------------|-------------------|----------------|-----------------|
| | | | | | | | | |

X-ON Electronics

Largest Supplier of Electrical and Electronic Components

Click to view similar products for [electri-flex](#) manufacturer:

Other Similar products are found below :

[86307](#) [90861](#) [79187](#)