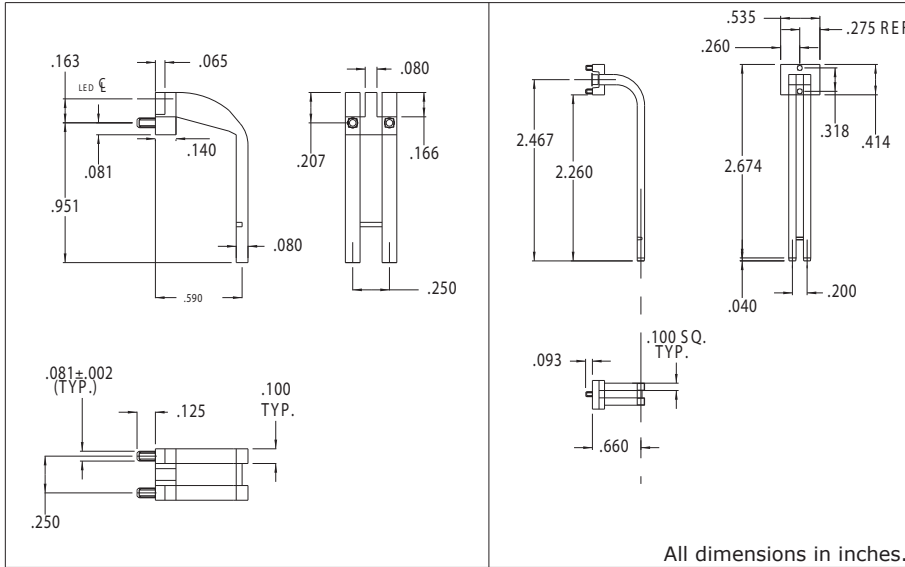


## 7511F2/7512A5-1 THRU 6 Series Bright Pipes™ Optical Lightpipes Description and Features



7511F2

7512A5-1

- Precision engineered with **ray tracing** for bright, optically precise even indication and attractive appearance.
- ESD protection from circuitry for exceptional reliability.
- High contrast and wide viewing angle for greater visibility.
- Parts inserted after reflow to permit LED pad inspection before assembly.
- Optimized for use with Bright Chips™ SMT LEDs.
- 7511F2 is designed for use with 7016X Series Bright Chip LEDs.
- 7512A5 is designed for use with 67-21 Series Bright Chip LEDs.

Refer to "Mounting Hole Pattern 3.pdf"

PART NUMBER	NO. OF PORTS	NO. OF POSITIONS
7512A5-1-A	1	2
7512A5-4-A	4	8

## X-ON Electronics

Largest Supplier of Electrical and Electronic Components

*Click to view similar products for [LED Light Pipes](#) category:*

*Click to view products by [Visual Communications](#) manufacturer:*

Other Similar products are found below :

[1367627-1](#) [SLP3-300-450-F](#) [SLP3-400-450-R](#) [LPA-C011301S-23](#) [LPA-C011301S-6](#) [LPF-C011306S](#) [515-1061-803F](#) [515-1142-170F](#) [515-1155F](#) [VLP-640-F](#) [LMC-034-CTP](#) [LPA-C011301S-5.4](#) [LPA-C041301S-2](#) [LPA-S011331S](#) [LPC\\_155\\_CTP](#) [LPC\\_182\\_CTP](#) [LPC\\_190\\_CTP](#) [515-1001-802F](#) [515-1027-803F](#) [515-1048-801F](#) [515-1142-195F](#) [515-1146F](#) [515-1148F](#) [515-1217F](#) [SLP3-150-300-R](#) [SLP3-500-450-R](#) [515-1058F](#) [515-1064-810F](#) [515-1114-801F](#) [FLPR-SBC](#) [FLPV-SG](#) [FLPR-SG](#) [BDL-1187](#) [7511A41](#) [7511A62V0](#) [7511F2](#) [FLPV-SBC](#) [SLP3-300-250-R](#) [5151064802F](#) [LPF-R011340S](#) [515-1166-801F](#) [FLPF-6.0](#) [SLP3-350-200-F](#) [LC-11.25](#) [CLP-1214](#) [1296.2044](#) [515-1064-808F](#) [FLX3\\_05](#) [515-1192-0025-0DF](#) [515-1192-80-3DF](#)