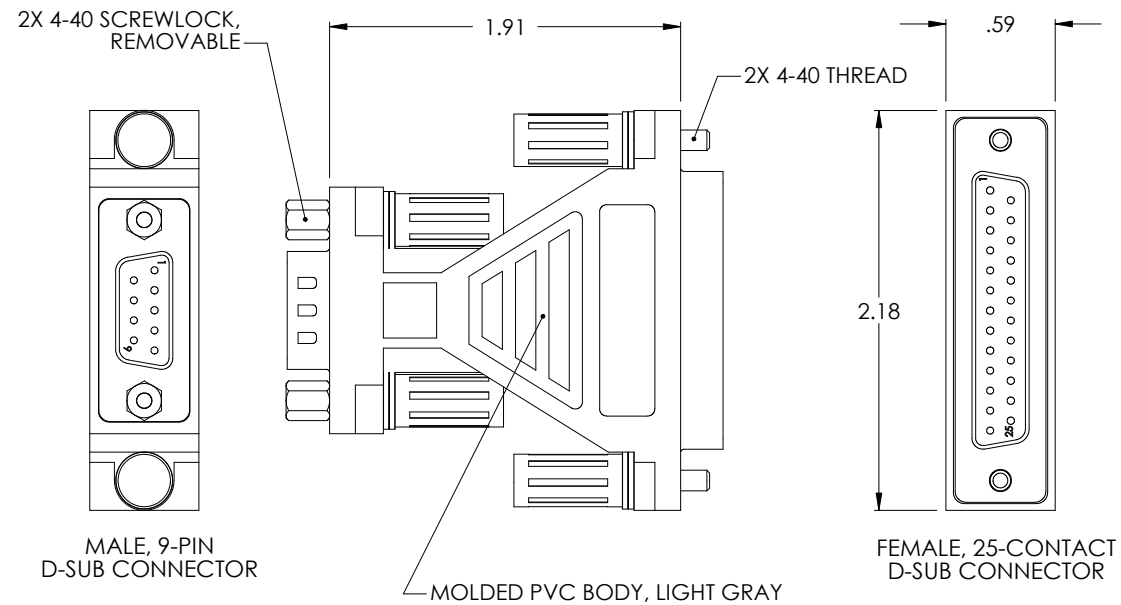


THE INFORMATION CONTAINED IN THIS DRAWING IS THE SOLE PROPERTY OF L-COM, INC. ANY REPRODUCTION IN PART OR WHOLE WITHOUT THE WRITTEN PERMISSION OF L-COM, INC. IS PROHIBITED.

REVISIONS			
REV	DESCRIPTION	DATE	APPROVED
A	RELEASED FOR PRODUCTION	1/16/02	TJC
B	ECN # 1620 - ADDED COMPONENT SPECIFICATION TABLE	12/16/03	B.MAZEJKA
.	.	.	.
.	.	.	.

WIRE CHART	
DB9M	DB25F
PIN 1	PIN 8
PIN 2	PIN 3
PIN 3	PIN 2
PIN 4	PIN 20
PIN 5	PIN 7
PIN 6	PIN 6
PIN 7	PIN 4
PIN 8	PIN 5
PIN 9	PIN 22
SHELL	SHELL

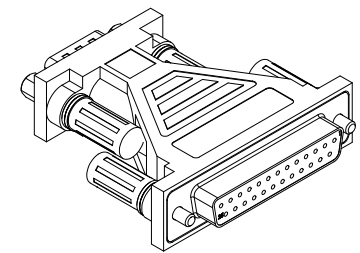


NOTES:

- INTERNAL 360° COPPER FOIL SHIELD HAS DRAIN WIRE SOLDERED TO METAL FRAME OF BOTH CONNECTORS.

Component Specifications	
Material	
Shell	Cold Rolled Steel
Contacts	Brass
Insulator	PBT w/ Glass Fiber Filled (UL 94V-0 Rated)
Overmold	PVC (UL 94V-0 Rated)
Hardware	Steel
Finish	
Shell	Tin Plated (100μ inches)
Mating Contacts	Gold Flash Plating over Nickel Plating
Hardware	Nickel Plating
Electrical	
Voltage Rating	250 VAC
Current Rating	5.0 Amp Max
Insulation Resistance	5000 MΩ min @ 500 VDC
Dielectric Withstanding Voltage	1000VAC rms
Environmental	
Operational Temperature Range	-55°C to +105°C

CS-105



UNLESS OTHERWISE SPECIFIED, DIMENSIONS ARE IN INCHES. TOLERANCES ARE:
 .X ±.1
 .XX ±.05
 .XXX ±.005
 CABLE LENGTH TOLERANCE
 <300" ±5% >300" ±2%

APPROVALS	DATE
DRAWN BY TJC	11/8/01
CHECKED BY DFP	1/11/02
APPROVED BY CM	1/11/02

CONFIGURATION DETAILS OF UNDIMENSIONED FEATURES MAY VARY

L-com CONNECTIVITY PRODUCTS		45 BEECHWOOD DRIVE NORTH ANDOVER, MA 01845	
PRODUCT DESCRIPTION ADPT, AT MODEM DB25F/DB9M			
DRAWING TITLE OUTLINE DRAWING			
SIZE A	FSCM NO. 43321	DWG. NO. DG259FM-IBM-OD1	REV B
SCALE: 1:1		CAD FILE: DG259FM-IBM-OD1.SLDDRW	SHEET 1 OF 1

X-ON Electronics

Largest Supplier of Electrical and Electronic Components

Click to view similar products for [l-com manufacturer](#):

Other Similar products are found below :

[FOA-550A](#) [SDRA15AG](#) [UMC-201](#) [CSMN50MF-5](#) [CSMNB15MF-15](#) [TRD815RA2BL-5](#) [CA3N050](#) [CA3A-90DA-1M](#) [U3A00003-03M](#)
[CTLF3VGAMM-20](#) [HDCAMM-3](#) [U3A00014-03M](#) [ECF-SK-25](#) [CSMT15MF-10](#) [CSMT15MM-15](#) [CSMT15MM-25](#) [CSPL15MF-50](#)
[CSPL25MF-25](#) [CSPL9MF-10](#) [CSPL9MF-5](#) [CSPL25MF-5](#) [CSPL25MF-2.5](#) [AL-IPEPS](#) [NB201611-10F-1](#) [TDG1026KC5-MNL](#) [NB121005-](#)
[10F](#) [TRD855SRA6DBL-05M](#) [TRD855SRA6DBL-10M](#) [TRD855SRA7DBL-1M](#) [TRD855SRA7DBL-10M](#) [PR175SCDLCQ24](#) [TRG508-T4T-](#)
[3M](#) [TRA5261-15F](#) [TRA5261S-1F](#) [TRA6261-1F](#) [TRA6261-10F](#) [USBBFT](#) [DGB25M](#) [CASATAL-18](#) [CSM25MM-10](#) [CSM37MF-10](#)
[CSUSB-100](#) [CA3A-90RA-1M](#) [CA3A-90RMICB-1M](#) [U2A00003-3M](#) [U3A00003-05M](#) [U2A00008-12I](#) [U3A00056-03M](#) [U3A00007-075M](#)
[U3A00007-1M](#)