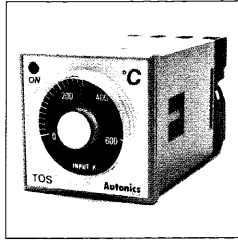


ANALOGUE TEMPERATURE CONTROLLERS

TOS ON/OFF OR PROPORTIONAL TEMPERATURE CONTROLLERS



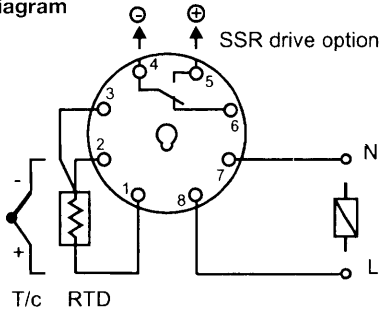
The TOS range of Temperature Controllers offer an extremely cost effective analogue solution for simple On/Off or Proportional control. Options for J/K Thermocouples and PT100 RTDs are available with either Relay or SSR drive outputs.

- Selectable On/Off or Proportional action
- Up to 1200°C scale ranges
- J, K T/couple or PT100 input options
- Relay or SSR drive output options
- 90 to 240Vac universal supply inputs

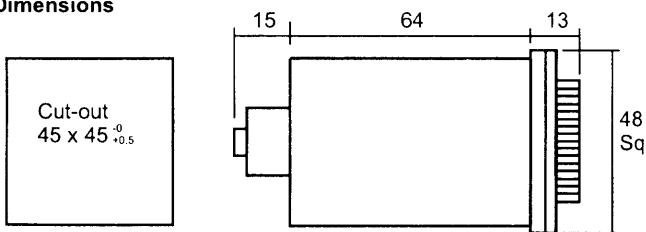
Specification

Supply Voltage: 90 to 264Vac/dc @ 50/60 Hz
 Power drain: 3VA max.
 Scale Accuracy: +/- 2% of FSD
 Scale Range: See 'standard items' below
 Input sensor: J or K T/couple or PT100 - 3 wire
 Max ext. resist: T/couple: 100 Ω, PT100: 5 W per wire
 Control band: On/Off: Hysteresis = 0.5 +/- 0.2% of Scale Range
 Propl: Proportional Band = 3% of Scale Range
 Output rating: Relay: 3A/240Vac resistive
 SSR: 20mA/12Vdc
 Electrical life: 100,000 ops at rated load
 Ambient range: -10 to 50°C non-condensing
 Weight: 180gms

Connection Diagram



Dimensions

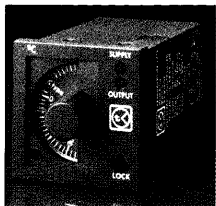


Standard Items

Input	Output	Range	Part Number
J T/c	Relay	0 to 100°C	TOS-B4RJ1C
		0 to 200°C	TOS-B4RJ2C
K T/c	Relay	0 to 200°C	TOS-B4RK2C
		0 to 400°C	TOS-B4RK4C
		0 to 800°C	TOS-B4RK8C
PT100	Relay	0 to 100°C	TOS-B4RP1C
		0 to 200°C	TOS-B4RP2C

For a suitable panel mounting or DIN-rail wiring socket see page 26

TC4800 DIAL LOCKABLE ON/OFF/PD TEMPERATURE CONTROLLERS



The TC4800 range of Temperature Controllers is available in On/Off or Proportional + Derivative (PD) control options, operating from a range of sensors. A 4-20mA input type also enables them to be used for the control of processes other than temperature. Of particular note is the dial lock which prevents tampering.

- Dial lock
- On/Off or PD control action
- Deviation leds plus meter output
- J, K T/couple, PT100 or 4-20mA input options
- Relay or SSR drive output options
- Dual 110/230Vac supply input

Specification

Supply Voltage: 110/230(220-240)Vac @ 50/60 Hz or 24Vac/dc
 Power drain: 4VA max.
 Scale Accuracy: +/- 2% of FSD (Scale Range)
 Scale Range: See part number below
 Input sensor: J, K, R or T T/couple, 3-wire PT100 or 4-20mA
 Max ext. resist: T/couple: 100 Ω, PT100: 5 Ω per wire
 Control band: On/Off: Hyst. = 0.5% (1% TC486*) of FSD
 Propl: PB = 4% to 10% of FSD
 Cycle Time: 20 secs (PB model only)
 Output rating: Relay: SPCO, 5A/240Vac resistive
 SSR: 30mA/24Vdc
 Electrical life: 100,000 ops at rated load
 Deviation Output: +/- 50 μAmps
 Ambient range: -10 to 50°C non-condensing
 Approvals: Conform to CE emc EN50081-1 & EN50082-1 plus low voltage EN6010-1 directives
 Weight: 200gms

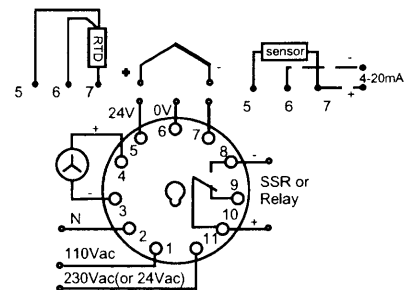
Part Numbering Options

Number TC4831-02-110/240VAC
 Field 1 2 3 4 5

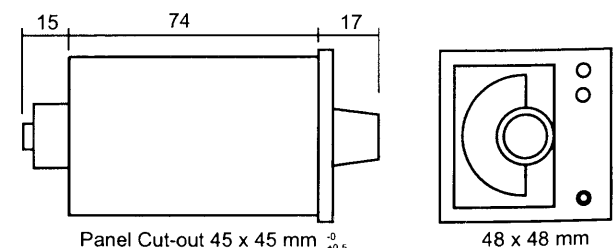
Field	Function	Parameter	Code
1	Series	48x48 mm case	TC48
2	Control Mode	On/Off	1
		PD	3
		Latch	5
		On/Off 4-20mA	6
3	Action/Output	Reverse/Relay	0
		Direct/SSR	1
		Reverse/Relay	2
		Direct/SSR	3
4	Sensor type	K T/couple	0
		J T/couple	1
		T T/couple	2
		R T/couple	3
		Pt100 - 3 wire	5
		4-20 mA	6
5	Scale Range	J, K 0 to 200°C	1
		J, K 0 to 400°C	2
		K 0 to 600°C	3
		K 0 to 800°C	4
		K 0 to 1200°C	5
		T -100 to 200°C	0
		T -170 to 30°C	6
		R 0 to 1600°C	0
		PT100 -100 to 200°C	0
		PT100 -50 to 150°C	1
		PT100 0 to 100°C	2
		PT100 0 to 200°C	3
		PT100 -50 to 100°C	4
		4-20 mA 0 to 100%	6

For other temperature ranges, please contact our Sales Office

Connection Diagram



Dimensions



X-ON Electronics

Largest Supplier of Electrical and Electronic Components

Click to view similar products for [autonics manufacturer](#):

Other Similar products are found below :

[E50S8-1000-3-T-24](#) [BC15-LDT-C](#) [BH4M-PDT](#) [BJ100-DDT-P](#) [BJ10M-TDT-C-P](#) [BJ15M-TDT-C-P](#) [BJ15M-TDT-P](#) [BJ1M-DDT-C-P](#) [BJ3M-PDT-P](#) [BJN100-NDT-P](#) [BL13-TDT-P](#) [BR200-DDTN-C-P](#) [BR200-DDTN-P](#) [BTF30-DDTD-P](#) [BUP-30-P](#) [LP-S070-T9D6-C5T](#) [PRDCML18-7DP](#) [PRFT30-10DO-V](#) [PRFWT12-2DO-IV](#) [PRFWT30-10DO-IV](#) [TC4H-14R](#) [TCN4S-22R](#) [TCN4S-24R-P](#) [TK4S-14SR](#) [BC15-LDT-C-P](#) [BEN5M-MFR](#) [BH1M-DDT](#) [BH20M-TDT](#) [BJ10M-TDT-P](#) [BTS30-LDTL-P](#) [BX700-DFR-T](#) [E40S6-3600-3-T-24](#) [PR08-1.5DP](#) [PR08-2DP](#) [TC4S-12R](#) [TMHA-42AE](#) [TMHE-82RE](#) [ASL-L01SP1-PY](#) [ASL-L04SP0-UY](#) [BFX-D1-N](#) [BFX-D1-P](#) [BJP100-BDT](#) [BJP100-BDT-P](#) [BJR100-DDT-C-P-F](#) [BJR100-DDT-P-F](#) [BJR10M-TDT-C-P-F](#) [BJR15M-TDT-C-P-F](#) [BJR15M-TDT-P-F](#) [BJR1M-DDT-C-P-F](#) [BJR3M-PDT-C-P-F](#)