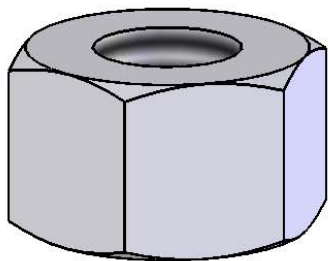
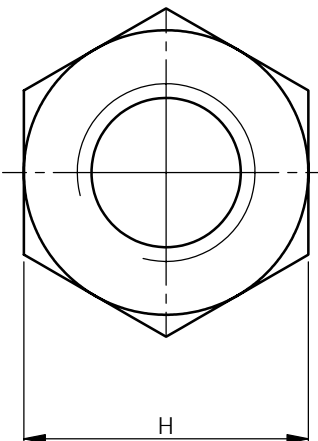
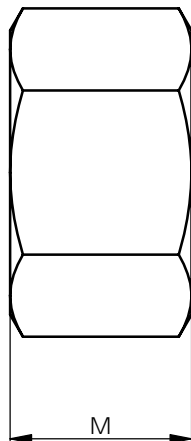


REV.	MODIFICATION.	DATE	DRN
01	NEW DRAWING	19/10/04	NJB
02	ECN 2005-033	03/03/05	NJB
03	ECN 2006-051	17/03/06	OW



NOTES:  
 1) ALL PRIMARY DIMENSIONS IN mm,  
 SECONDARY DIMENSIONS IN INCHES.

NNE-34814-M6	5.0	10.0 [.394]
NNE-34814-M5	4.2	8.0 [.315]
NNE-34814-M4	3.2	7.0 [.276]
NNE-34814-M3	2.4	5.5 [.217]
NNE-34814-M2.5	2.0	5.0 [.197]
NNE-34814-M2	1.6	4.0 [.158]
PART REF:	M	H

INFORMATION CONTAINED IN THIS DOCUMENT IS CONFIDENTIAL TO RICHCO INTERNATIONAL Co. Ltd. AND MAY NOT BE DISCLOSED OR REPRODUCED IN WHOLE OR PART WITHOUT THEIR WRITTEN CONSENT



METRIC GENERAL TOLERANCES  $\pm 0.25$   
 ARE PRIMARY UNLESS OTHERWISE STATED  
 1 DECIMAL PLACE  $\pm$   
 2 DECIMAL PLACES  $\pm$   
 ANGULAR  $\pm 1^\circ$

IMPERIAL GENERAL TOLERANCES  $\pm 0.010$   
 ARE FOR REFERENCE UNLESS OTHERWISE STATED  
 1 DECIMAL PLACE  $\pm$   
 2 DECIMAL PLACES  $\pm$   
 ANGULAR  $\pm 1^\circ$

MATERIAL: NYLON 6/6 (RMS-174)		COLOUR: NATURAL	
TITLE: HEX NUT		PART No: NNE-34814-MX	
DRG No: 04-121	NPR REF:		SIZE A4
DRN NJB	DATE 19/10/04	CHKD I.C	DATE 19/10/04
SCALE NTS	SHEET No 1 OF 1		

## **X-ON Electronics**

Largest Supplier of Electrical and Electronic Components

*Click to view similar products for [ESSENTRA](#) manufacturer:*

Other Similar products are found below :

[BPF-F1G12](#) [ASPS-8-125](#) [SOF-15127](#) [HTSN-M4-5-8-2](#) [SR 3075B](#) [SR 4120B](#) [DSC-2-48](#) [MCCG-2N](#) [OFBLT-3.1-05-PP](#) [BT-4-10-BL](#)  
[HR6U-3/8](#) [DSC-3-48](#) [SHR-15-6V0B](#) [SR-4050B](#) [TNM3-6.5-12-1](#) [SNGS-2.5](#) [HR6P-3/8](#) [SNGS-2.5B](#) [DSC-1-48](#) [CAT-08-PP-BU](#) [VPH-1840](#)  
[BMS-SA-48](#) [TNM3-6.5-20-2](#) [SR 3075W](#) [CRLCBSR-3-01](#) [SPGS-2.5](#) [SNGS-1](#) [NTS-20](#) [SR 2664B](#) [HR8P-1/2](#) [PGS-2](#) [HR3P-3/16](#) [HR4U-1/4](#)  
[NTS-10](#) [KBP-19](#) [FRB-333](#) [TLM-1550](#) [VPH-2520](#) [HTSN-M2-15-5-1](#) [SRCC-1](#) [HTSN-M3-25-6-1](#) [SNGSG-2](#) [201-USS](#) [HTSN-M2-8-5-1](#)  
[HTSN-M3-25-8-1](#) [TNM3-6.5-15-2](#) [TNM3-6.5-25-2](#) [SR 3090W](#) [LCBSBM-6-01A2-RT](#) [NSP-6-4-01](#)