



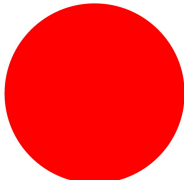
Emer.stop/swit.off,60mm,non-ill.,rot.rel



Powering Business Worldwide™

Part no. M22-PVT60P
Article no. 121464

Delivery programme

Product range			RMQ-Titan (drilling dimensions 22.5 mm)
Basic function			Emergency stop pushbutton/ emergency-stop button
Description			Switch position indication green pushbutton released Switch position indicator red pushbutton actuated
Construction type			Palm-tree shape
Diameter	∅	mm	60
Colour			
Mushroom head			Red
RAL Value			RAL 3000
			
Function			pull or rotate released
Illumination			Without illumination
Front ring			without front ring
Connection to SmartWire-DT			no
Instructions			Release by turning
Notes			
			with mechanical switch position indication
			Release by turning or pulling
			Palm-tree shape, diameter 45 mm

Approvals

NA Certification

Request filed for UL and CSA

General

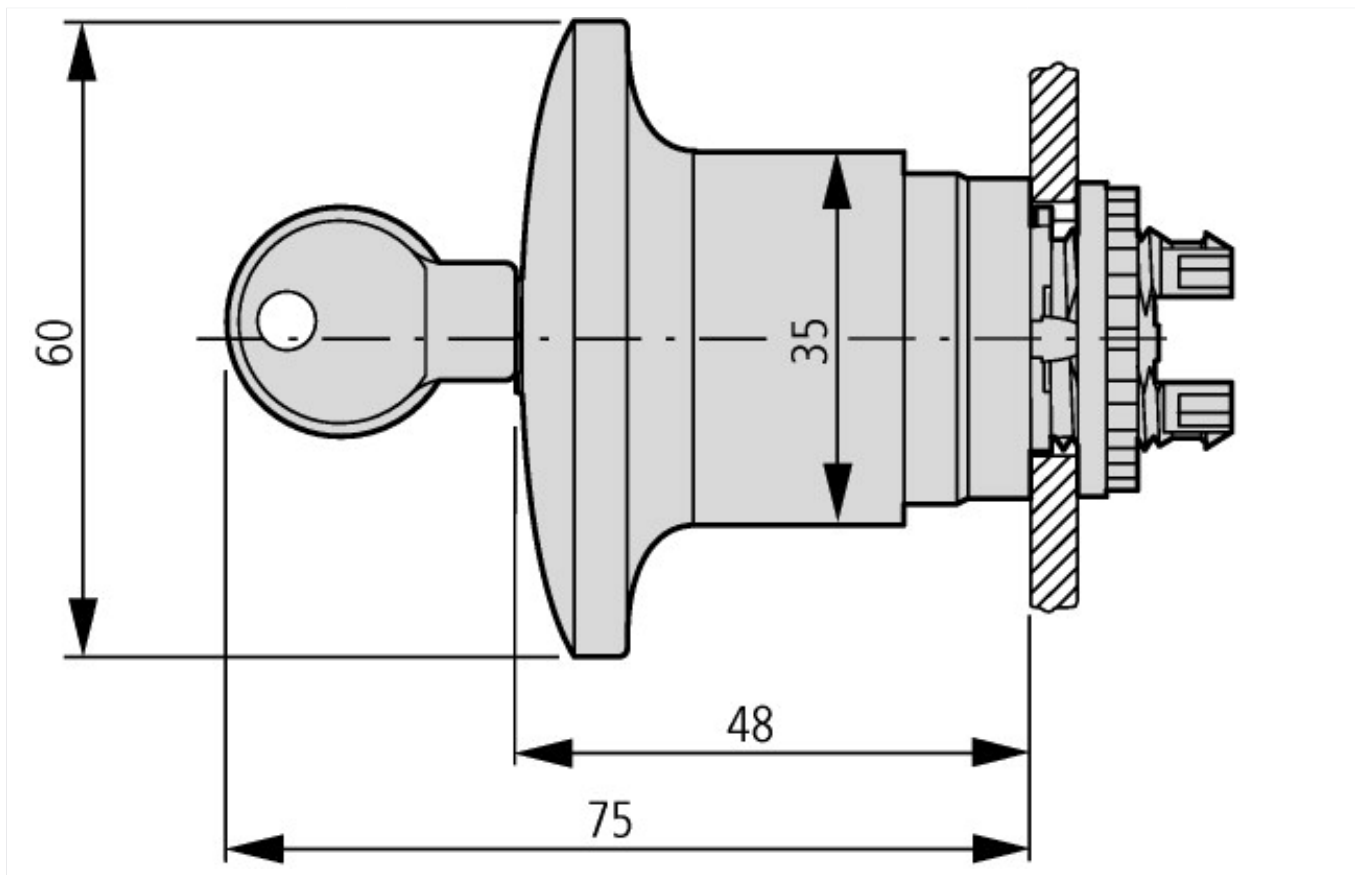
Standards			IEC/EN 60947 VDE 0660
Lifespan, mechanical	Operations	x 10 ⁶	> 0.1
Operating frequency	Operations/ h		$\frac{\Sigma}{600}$
Actuating force		n	50
Protection type			IP67, IP69K
Climatic proofing			Damp heat, constant to IEC 60068-2-78 Damp heat, cyclic to IEC 60068-2-30
Ambient temperature		°C	
Open		°C	- 25 - + 70
Mounting position			As required
Mechanical shock resistance		g	50 Shock duration 11 ms Sinusoidal according to IEC 60068-2-27

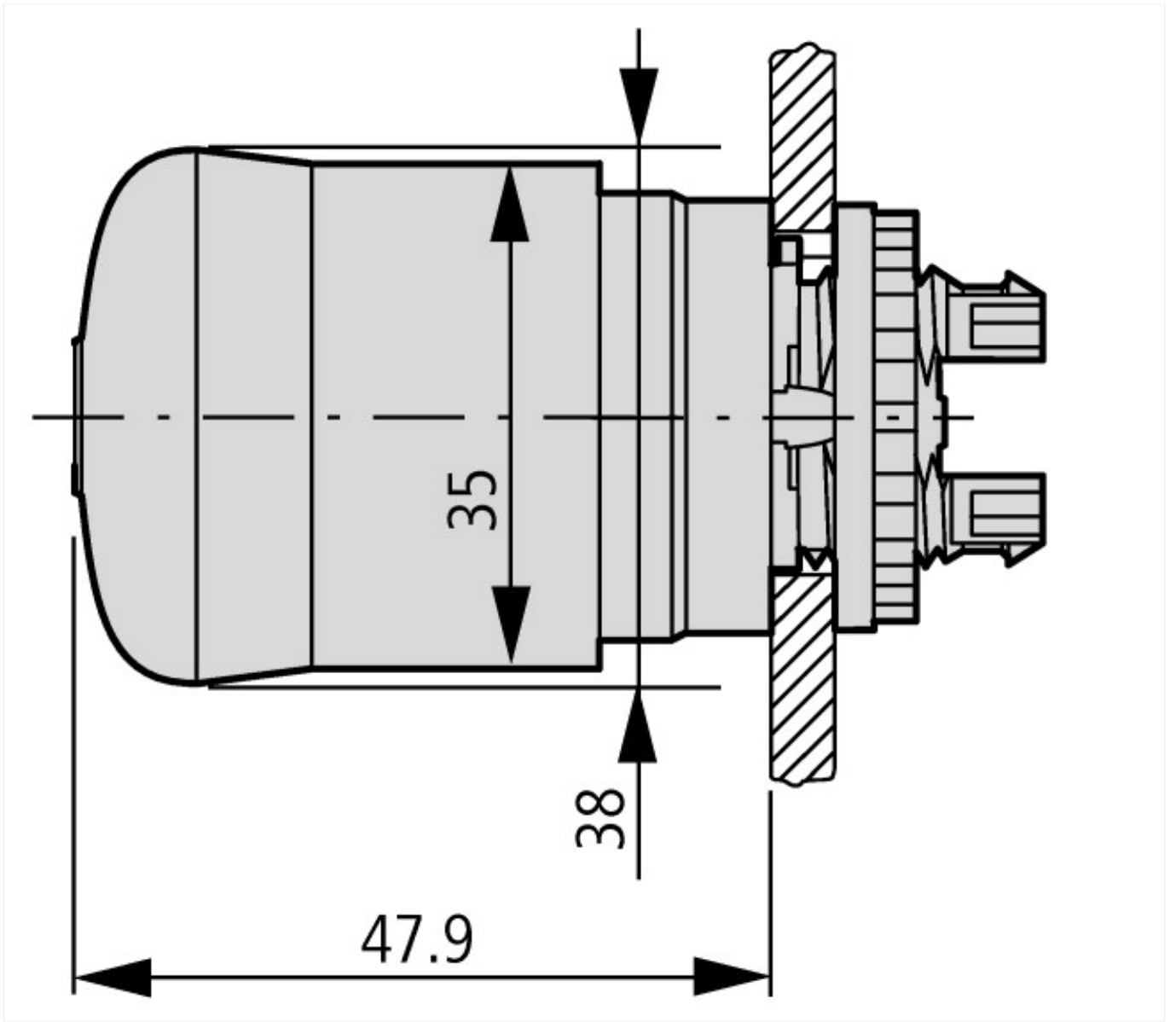
Technical data ETIM 4.0

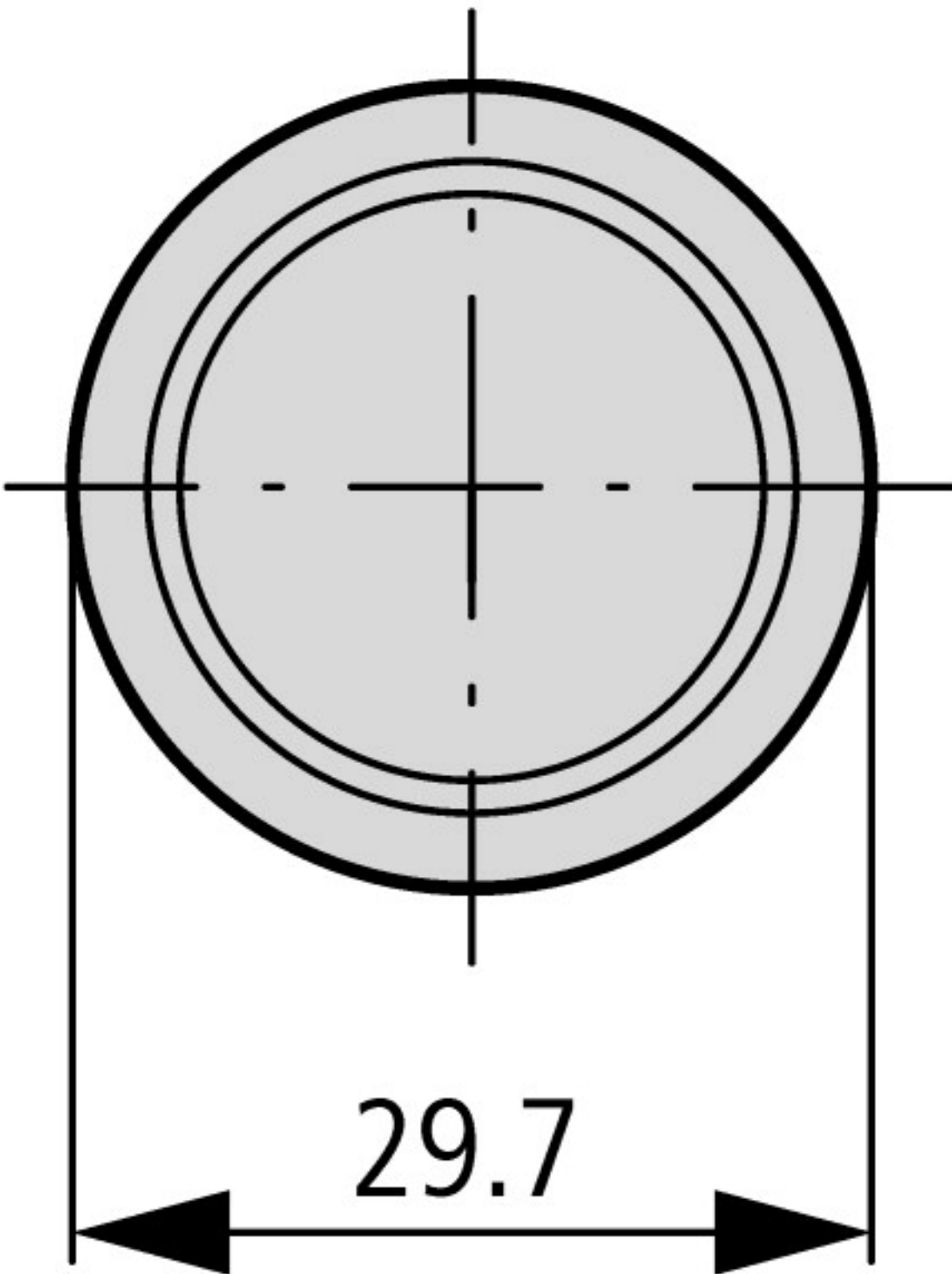
With bezel			No
Unlocking method			Turn unlatching mechanism
Lens design			Round
Suitable for illumination			No
Hole diameter		mm	22

Suitable for emergency switching off			YES
Color button			red
Width of opening		mm	22
Height meter opening		mm	6
Protection type (IP)			IP67
Material front ring			-
Diameter cap		mm	45
Momentary			No
Switching function latching			YES
Design of button			flush

Dimensions







X-ON Electronics

Largest Supplier of Electrical and Electronic Components

Click to view similar products for [Pushbutton Switches](#) category:

Click to view products by [Eaton](#) manufacturer:

Other Similar products are found below :

[LW1L-M1C10V-A](#) [LW2L-A1C20M-GD](#) [LW2L-M1C20M-A](#) [60324L](#) [M7E-HRN2](#) [67021K512](#) [67081K512X](#) [701PB580](#) [719-5504-000](#)
[MDPSSGLFS](#) [810KSV30B](#) [FLT 2U EE 01A](#) [MML21KA3ABK](#) [MML23KA3AC05K-001](#) [MML23KW3AA01W](#) [8418K2](#) [8646AB6X718UL](#)
[8646ABUL](#) [FSDWH](#) [9001KXRK](#) [9001T8BK](#) [9533CD4+U574+U4922](#) [1203MRA](#) [A22EM01S](#) [A595](#) [1202A6](#) [12037A2ULCSA](#) [1203A2UL](#)
[ABD122N-B](#) [1211390004](#) [ABN111-Y](#) [ABN400-R](#) [1211500044](#) [1211580012](#) [1212MRA](#) [1232A6NF](#) [RA3CSH6A](#) [1241.1183.7047](#)
[1241.2511](#) [1241.3428](#) [1223A2ULCSA](#) [1223MRA](#) [1232AX2119](#) [1241.1183.8000](#) [1241.1183.8029](#) [1241.2506](#) [1241.2606](#) [12MA6](#)
[1301940184](#) [RELBARF6X10\(PLASTIC\)](#)