



Emer.stop/swit.off,60mm,key release MS1



Powering Business Worldwide™

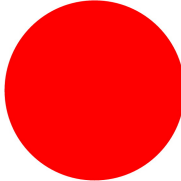
Part no.

M22-PVS60P-MS1

Article no.

121469

### Delivery programme

Product range			RMQ-Titan (drilling dimensions 22.5 mm)
Basic function			Emergency stop pushbutton/ emergency-stop button
Description			Individual lock mechanism MS1 Not suitable for master key systems
Construction type			Palm-tree shape
Diameter	∅	mm	60
Colour			
Mushroom head			Red
RAL Value			RAL 3000
			
Function			Key operation lock mechanism
Illumination			Without illumination
Front ring			without front ring
Connection to SmartWire-DT			no
<b>Instructions</b>			Release by turning with key
Information about equipment supplied			With one key
<b>Notes</b>			
			Tamper-proof according to ISO 13850, EN 418
			Max. contacts to be fitted together: 4 x M22-(C)K...
			With 1 key
			Release by using the key

### Approvals

NA Certification

Request filed for UL and CSA

### General

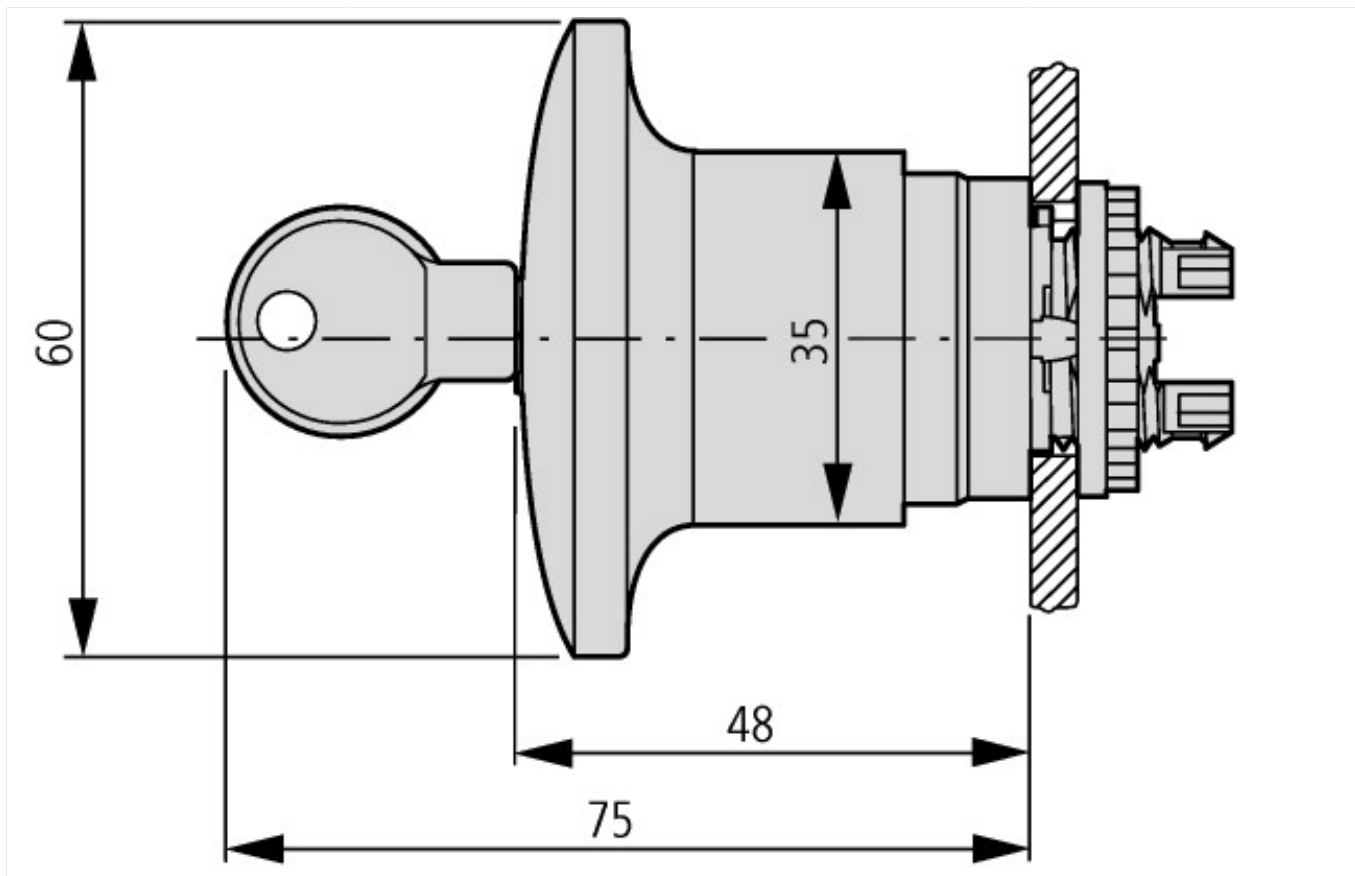
Standards			IEC/EN 60947 VDE 0660
Lifespan, mechanical	Operations	x 10 <sup>6</sup>	> 0.1
Operating frequency	Operations/ h		≅ 600
Actuating force		n	50
Protection type			IP67, IP69K
Climatic proofing			Damp heat, constant to IEC 60068-2-78 Damp heat, cyclic to IEC 60068-2-30
Ambient temperature		°C	
Open		°C	- 25 - + 70
Mounting position			As required
Mechanical shock resistance		g	50 Shock duration 11 ms Sinusoidal according to IEC 60068-2-27

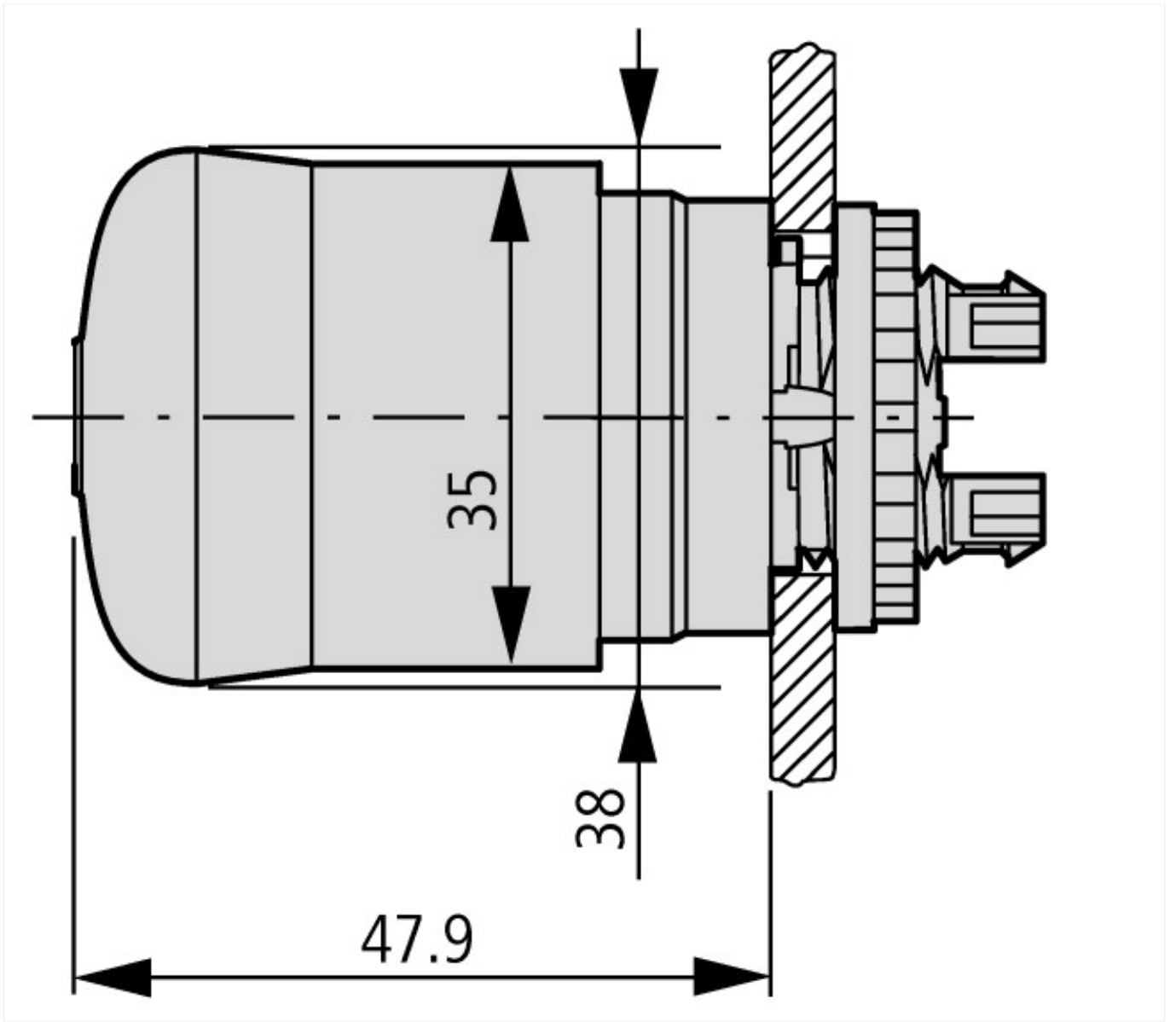
### Technical data ETIM 4.0

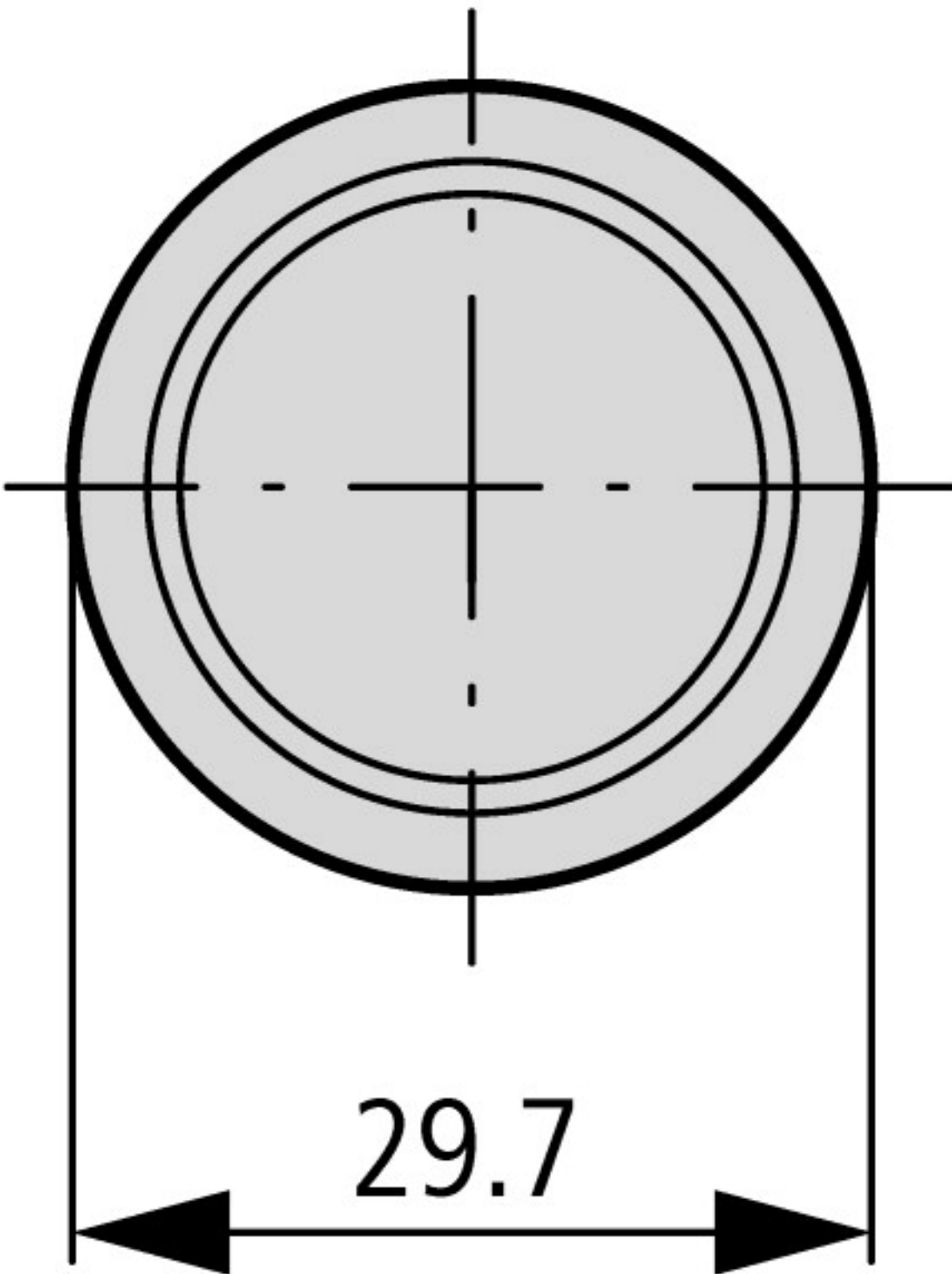
With bezel			No
Unlocking method			Key-release
Lens design			Round

Suitable for illumination		No
Hole diameter	mm	22
Suitable for emergency switching off		YES
Color button		red
Width of opening	mm	22
Height meter opening	mm	6
Protection type (IP)		IP67
Material front ring		-
Diameter cap	mm	60
Momentary		No
Switching function latching		YES
Design of button		flush

## Dimensions







## X-ON Electronics

Largest Supplier of Electrical and Electronic Components

*Click to view similar products for [Industrial Panel Mount Indicators / Switch Indicators](#) category:*

*Click to view products by [Eaton](#) manufacturer:*

Other Similar products are found below :

[LW1A-P1-W](#) [LW1B-A0L](#) [01-952.0](#) [01-152.025](#) [D38999/20FJ29PB L/C](#) [704-6012](#) [704-6020](#) [704-6023](#) [704-6026](#) [73.362.4028.0](#) [EUS-704.000.7](#) [750-1520](#) [9001OA120](#) [99-450.837](#) [99-455.837](#) [99-486.837](#) [99-901.9](#) [99-902.9](#) [99-908.0](#) [99-909.4](#) [99-909.5](#) [A0244J1](#) [A3DT-500Y](#) [AL6M-P7P-A](#) [AOLQW-2B0600](#) [AP1M255-A](#) [APD106LN-A](#) [APD106LN-G](#) [APN1126-G](#) [APS122DN-W](#) [ATN2100](#) [AYLW4L-A](#) [18-237.035](#) [C0180AANA](#) [HW1A-L1-GD](#) [HW1A-P2-GL](#) [HW1F-3G](#) [HW1R-2DF20-R](#) [HW1X-BM411-R](#) [HW2A-L1-GL](#) [HW2A-P1-GD](#) [HW4S-31L](#) [HWAZ1N-OB](#) [PA2200/1](#) [PA2SHIELD](#) [21-931.0](#) [21-931.2](#) [96-923.5](#) [1625006](#) [99-451.837](#)