

1 NC, front fixing, screw terminal



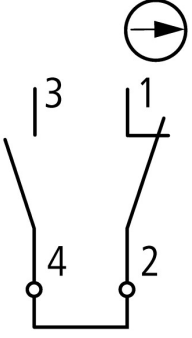
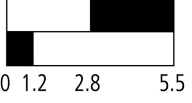


Powering Business Worldwide™

Part no.
Article no.

M22-K01SMC10
121472

Delivery programme


Product range			RMQ-Titan (drilling dimensions 22.5 mm)
Basic function			Accessories
Single unit/Complete unit			Single unit
Connection technique			Screw terminals
Fixing			Front fixing
Auxiliary contacts:  = safety function, by positive opening to IEC/EN 60947-5-1			
N/O = Normally open			1 N/O
N/C = Normally closed			1 N/C 
Contact sequence			
Contact travel diagram, stroke in connection with front element			
Protection type			IP20
Connection to SmartWire-DT			no
Notes			
N/O contact is actuated when mounted on M22-A adapter → Engineering			

Approvals

NA Certification
Degree of Protection

Request filed for UL and CSA
UL/CSA Type: -

General

Standards			IEC/EN 60947 VDE 0660
Operating frequency	Operations/ h		 3600
Protection type			IP20
Climatic proofing			Damp heat, constant to IEC 60068-2-78 Damp heat, cyclic to IEC 60068-2-30
Ambient temperature		°C	
Open		°C	- 25 - + 70
Mounting position			As required
Mechanical shock resistance		g	30 Shock duration 11 ms Sinusoidal according to IEC 60068-2-27

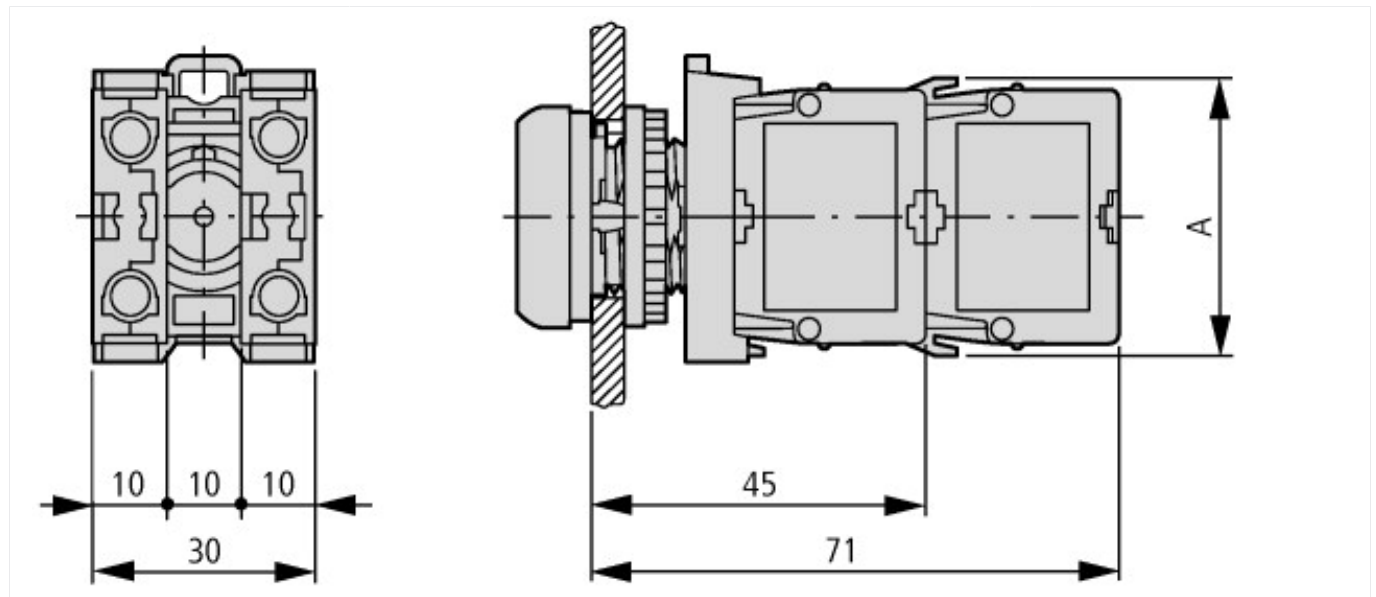
Contacts

Overvoltage category/pollution degree			III/3
Max. short-circuit protective device			
Fuseless		Type	PKZM0-10/FAZ-B6/1
Fuse	gG/gL	A	10
Indoor and protected outdoor installation			

Technical data ETIM 4.0

Suitable for earth leakage circuit breaker		No
Type of electric connection		Screw connection
Rated operation current I _e at AC-15, 230 V	A	6
Mounting type		Front mount
Suitable for pendant switch		No
Suitable for front element		Yes
Suitable for circuit-breakers		No
Suitable for safety position switches		No
Suitable for step switches		No
Suitable for pressure switch/selector switch actuator		Yes
Suitable for cam switches		No
Suitable for motor protective circuit breakers		No
Suitable for series-mounting relays		No
Suitable for solenoid		No
Suitable for compact switch-disconnector		No
Suitable for miniature circuit-breakers		No
Suitable for pulse relay		No
Suitable for contactor relay relay		No
Suitable for pendant pushbutton		No
Suitable for residual current device		No
Number of contacts as change-over contact		0
Number of contacts as N/O		0
Number of contacts as NC		1
Suitable for impulse relays		No
Suitable for position switches		No
Suitable for switch-disconnector/residual current device		No
Suitable for contactors		No
Suitable for installation contactor / installation relay		No

Dimensions



X-ON Electronics

Largest Supplier of Electrical and Electronic Components

Click to view similar products for [Tactile Switches](#) category:

Click to view products by [Eaton](#) manufacturer:

Other Similar products are found below :

[KMR633NG LFG](#) [5GTH92001](#) [5GTH9202242](#) [6426-201-11343](#) [MJ1226](#) [MJTP1109B](#) [MJTP1138EAUTR](#) [MJTP1230BL](#) [MJTPSHW](#)
[GS6.90F300QP](#) [1-1977223-0](#) [1-1977120-4](#) [ADTSA62NV](#) [ADTSA62RV](#) [ADTSA63KV](#) [ADTSA644NV](#) [ADTSM24NVTR](#) [ADTSMW66NV](#)
[ADTSMW67RV](#) [ATM533VTR](#) [1571300-3](#) [B3F-3123](#) [B3F-6055A](#) [B3F-B32-01-KIT](#) [1977177-8](#) [1977266-1](#) [2-1977223-4](#) [2-1977223-7](#)
[ADTS644KV](#) [ADTSA61RV](#) [ADTSA62KV](#) [ADTSA63NV](#) [ADTSA63RV](#) [ADTSA65NV](#) [ADTSM21NSVTR](#) [ADTSM25RVTR](#)
[ADTSM31RVTR](#) [ADTSM32NVTR](#) [ADTSM61YVTR](#) [ADTSM63SVTR](#) [ADTSM644KVTR](#) [ADTSMW64RV](#) [ADTSMW69NV](#)
[FSMRA4JHA04](#) [GS4.70F300QP](#) [D38999/20JJ37SA](#) [TL1105B](#) [TL1105J](#) [ATH447K2Q](#) [ATM534VTR](#)