

# 90

## TIME DELAY TIMERS

**Industrial Timer Company**

30 Industrial Park Road

Centerbrook, CT 06409

800-394-7130

[www.industrialtimercompany.com](http://www.industrialtimercompany.com)



### DESCRIPTION

The 90 series is a basic time delay timer designed for remote surface mounting where infrequent adjustment of the time delay setting is anticipated. It features automatic reset upon removal of power and an isolated single pole, double throw load switch.

### APPLICATION

These low cost timers are designed for applications that do not require high repeat accuracy, fast reset or long time cycles. Typical applications include: ice making equipment, vending machines and welding equipment.

### OPERATION

- 1) To set the duration of the time delay, loosen the screw securing the STOP. Position the STOP for the desired delay and tighten screw.
- 2) To start the time delay, close the customer-supplied switch connecting power to the motor.
- 3) At the end of the delay period, the switch in the timer will change state.
- 4) After the timer has reached the timed out position, open the switch connecting power to the motor.
- 5) To start the time delay again, wait for the timer to reset and close the switch supplying power to the motor.

### SPECIFICATIONS

Repeat Accuracy	± 1% of full scale.
Reset Time	5% of set time delay
Load Switch Contacts	Isolated SPDT switch rated 15 amps 125, 250, or 480 VAC non-inductive
Wiring	Motor, 6-inch leads switch, screw terminals
Voltage	120V/60Hz standard. Consult factory for other voltages and frequencies.
Agency Approval	UL, CSA

### STANDARD MODELS

Model Number	Maximum Setting	Minimum Setting
90-15S	15 sec.	1.5 sec.
90-30S	30 sec.	3 sec.
90-60S	60 sec.	6 sec.
90-90S	90 sec.	9 sec.

# 90

## TIME DELAY TIMERS

### DIMENSIONS

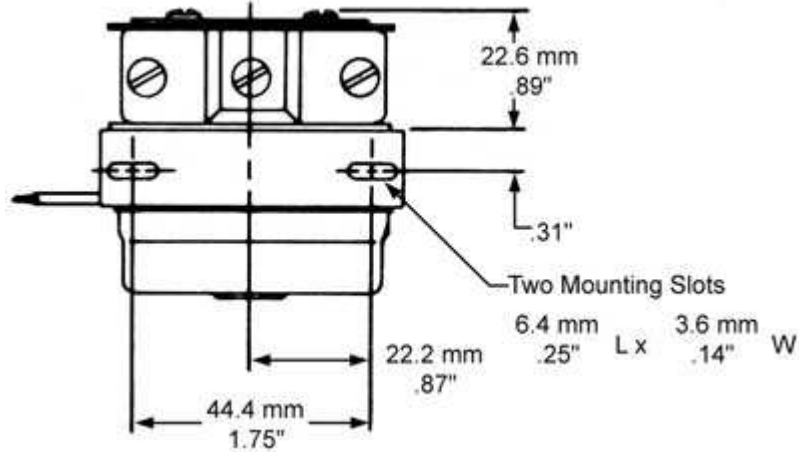
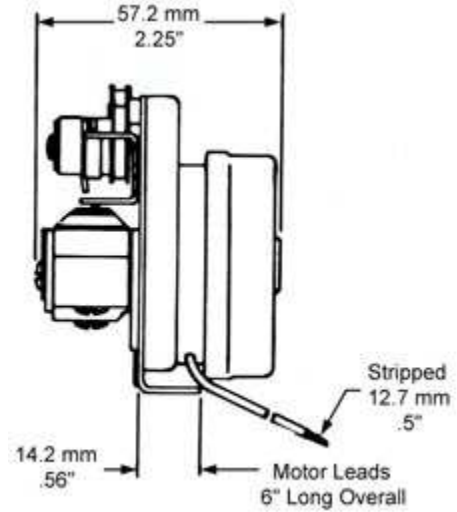
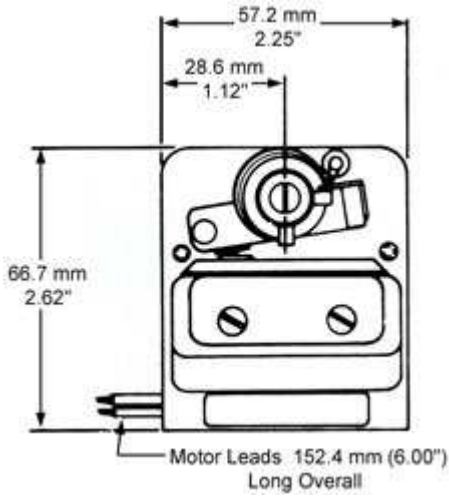
**Industrial Timer Company**

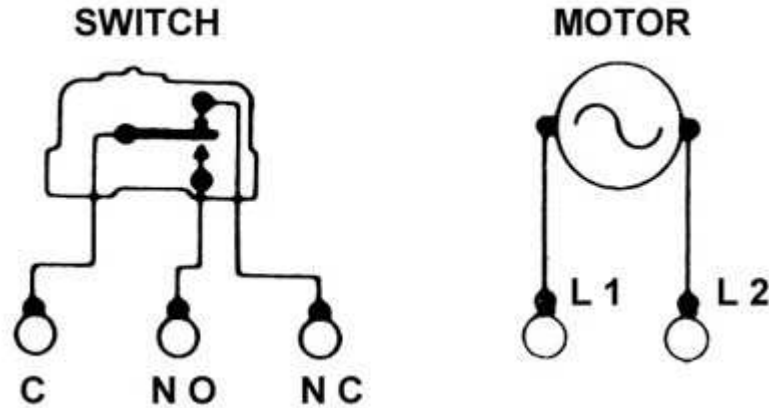
30 Industrial Park Road

Centerbrook, CT 06409

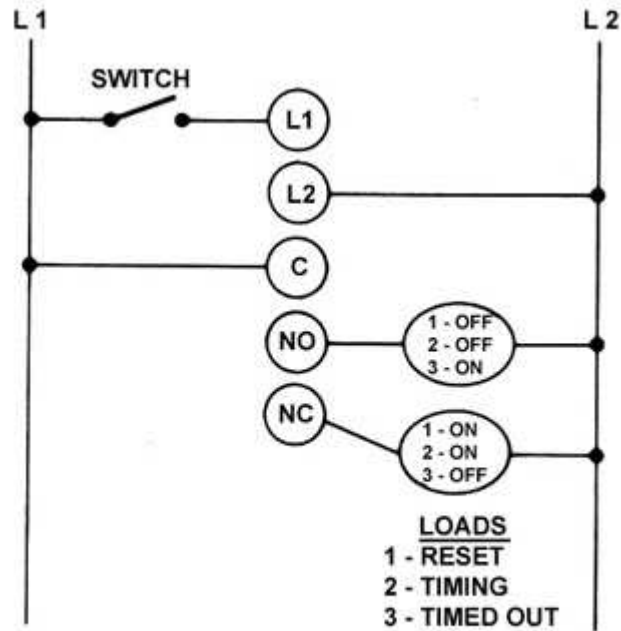
800-394-7130

[www.industrialtimercompany.com](http://www.industrialtimercompany.com)





### CIRCUIT WIRING – SUSTAINED CONTROL SWITCH



Close switch to start, open to reset.

## **X-ON Electronics**

Largest Supplier of Electrical and Electronic Components

*Click to view similar products for [itc industrial timer](#) manufacturer:*

Other Similar products are found below :

[ITC Industrial Timer](#)