



## TW151 DC Blocked L-Band/GNSS 1 to 2 Signal Splitter

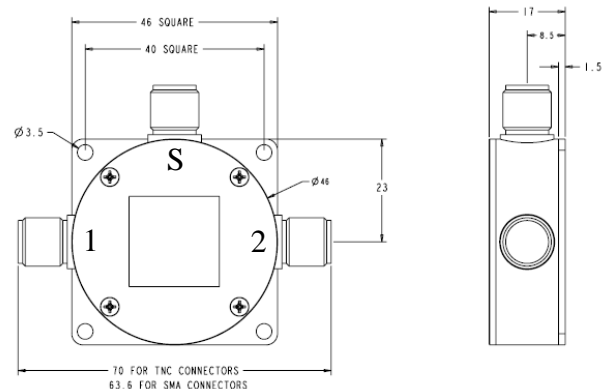
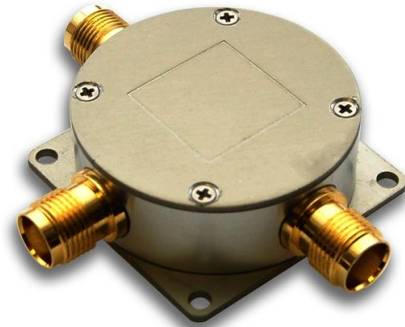
The TW151 by Tallysman Wireless is a professional grade DC blocked L-Band 1 to 2 Signal Splitter, suitable for a wide range of L-Band and all GNSS applications, including GPS L1, L2, L5 and GLONASS L1 & L2.

The TW151 splitter permits for two GNSS receivers to operate on one antenna, while blocking the DC voltage source on both receiver ports 1 and 2, suitable for applications with external DC voltage source.

The TW151 is housed in a robust weatherproof (IP67) clear anodized aluminum enclosure and is available with 3 x gold-plated SMA or TNC Jack (female) connectors.

### Applications

- L-Band Signal Distribution
- GPS L1, L2 & L5 Signal Distribution
- GLONASS L1 & L2 Signal Distribution
- Galileo E1, E5 & E6 Signal Distribution



### Features

- DC blocked on both receiver ports
- 1 to 2 GHz operating frequency
- Low insertion loss 1.0 dB over 3 GHz
- VSWR <1.25 typ.
- 50 Ohm port impedance
- Clear anodized aluminum, IP67 housing
- Gold-plated SMA or TNC Jack connectors
- RoHS Compliant

### Benefits

- Allows for external DC source
- Allows use of two GNSS receivers on one antenna
- Compact form factor
- Fits in line with antenna cable
- Robust design
- Suitable for harsh environments



# TW151 DC Blocked L-Band/GNSS 1 to 2 Signal Splitter

## Specifications

---

### Electrical

• Operational Frequency	1 to 2 GHz
• VSWR (50Ω)	1.25 typ., 1.5 max
• Insertion Loss	1 dB over 30dB
• Supply Voltage	18 VDC max
• DC Voltage Block	Port 1 and 2
• High Port Isolation	>18 dB
• Amplitude Balance	0.5 dB max
• Phase Balance	2 degrees max

---

### Mechanicals

• Size	1.81" L x 1.81"W x 0.669" H (46 mm L x 46 mm W x 17 mm H)
• Weight	100 g (0.22 lbs)
• Connectors	3 x SMA or 3 x TNC Jack
• Operating Temp. Range	-40 to +85 C
• Enclosure	Clear anodized aluminum, IP67 compliant
• Environmental	RoHS complaint
• Warranty	One year – parts and labour

---

### Ordering Information

• TW151 – 1 to 2 L-Band/GNSS Splitter with SMA jacks	32-0151-0
• TW151– 1 to 2 L-Band/GNSS Splitter with TNC jacks	32-0151-1

Please contact Tallysman Wireless for additional information

### Tallysman Wireless Inc

106 Schneider Road, Unit 3  
Ottawa ON K2K 1Y2 Canada  
Tel 613 591 3131  
Fax 613 591 3121  
[sales@tallysman.com](mailto:sales@tallysman.com)

The information provided herein is intended as a guide only and is subject to change without notice. This document is not to be regarded as a guarantee of performance. Tallysman Wireless Inc. hereby disclaims any or all warranties and liabilities of any kind. © 2011 Tallysman Wireless Inc. All rights reserved.

## **X-ON Electronics**

Largest Supplier of Electrical and Electronic Components

*Click to view similar products for [tallysman wireless manufacturer](#):*

Other Similar products are found below :

[33-0125-0](#) [32-0154-0](#) [TW4020-00](#) [TW3600-01](#) [TW1421-05](#)